

# Dark Matter™ Series Enclosures

## DM™ 115 Sub & DM™ 118 Sub Vented Bass Powered Subwoofer System

---

Operating  
Manual





## FCC Compliancy Statement

This equipment has been tested and found to comply with the limits for a Class A digital device, pursuant to Part 15 of the FCC rules. These limits are designed to provide reasonable protection against harmful interference when the equipment is operated in a commercial environment. This equipment generates, uses and can radiate radio frequency energy and, if not installed and used in accordance with the instruction manual, may cause harmful interference to radio communications. Operation of this equipment in a residential area is likely to cause harmful interference in which case the user will be required to correct the interference at his own expense.

**Warning:** Changes or modifications to the equipment not approved by Peavey Electronics Corp. can void the user's authority to use the equipment.

CAN ICES-3(A)/NMB/3(A)



Peavey Electronics Corporation • 5022 Hartley Peavey Drive • Meridian, MS • 39305  
(601) 483-5365 • FAX (601) 486-1278 • [www.peavey.com](http://www.peavey.com)

*Features and specifications are subject to change without notice.*

## DM™ 115 Sub & DM™ 118 Sub

Thank you for purchasing the Peavey® Dark Matter Series DM™ 115 or DM 118 Sub. The DM 115 and 118 Subs feature an ultra-reliable power section that provides a total of 800 watts of peak available power with DDT™ compression. These powered enclosures also feature a 15" heavy-duty woofer with a 3" voice coil for the DM 115 Sub and an 18" heavy-duty woofer with a 3" voice coil for the DM 118 Sub. The DM Subs provide a balanced input via a combination jack that accepts balanced TRS 1/4" input as well as a balanced XLR input. There are two balanced thru high pass XLR outputs, and a full-range XLR output. There is an adjustable Level control, as well as a combination LED indicator, that illuminates when power is on and when the "soft-limiting" DDT circuit is activated.

### Features

- Vented bass powered subwoofer enclosures
- 800 watts peak available power
- 15" premium heavy-duty woofer (DM 115 Sub)
- 18" premium heavy-duty woofer (DM 118 Sub)
- Power amp has forced air cooling for maximum reliability
- Internal line level low-pass/high-pass crossover network
- Fully adjustable Kosmos® C for increased bass impact
- XLR/1/4" combo jack input
- Two high-pass XLR outputs, and one full-range thru XLR output
- Polarity switch for polarity reversal of subwoofer
- Ground lift switch for lifting cable shield from ground
- Full-coverage heavy-duty perforated steel grill
- Steel handles
- Compact dimensions for a 15" or 18" woofer based sub
- Threaded pole mount with speaker pole included
- **DM 118 Sub only:** Large heavy-duty locking caster with damped bearings

### DESCRIPTION

The Peavey DM Sub is a compact, vented, powered subwoofer system utilizing a 15" or 18" heavy-duty woofer, coupled to a power amplifier, with 800 watts peak available power. The full-length black perforated steel grille and sturdy steel handles provide protection and a professional appearance.

The DM Sub features an internal line-level crossover with two high-pass outputs, independently electrically buffered; and one full-range thru output, also electrically buffered.

Peavey's exclusive Kosmos® C bass enhancer for extra bass punch from very low frequency program material is incorporated for maximum versatility.

A threaded pole-mount system provides a sturdy and stable platform to mount a suitably equipped speaker system above the sub woofer. The DM Series of two-way powered speakers are excellent partners for the DM Sub.

The DM Sub speaker system power amplifier providing the power is a low-distortion, ultra-reliable, fan-cooled unit providing a total of 800W peak available power for the system. The power supply for the power amp is a switch-mode type for low weight and high efficiency. The amplifier features our DDT compression, which virtually eliminates audible power amplifier clipping. Cooling is provided via a low-noise fan for reliable operation under any conditions.

Input is via a combo female XLR and 1/4" TRS phone jack with balanced input to the preamp/EQ electronics, and a level control.

An independent pair of High-Pass Outputs provides a buffered and balanced output signal for a pair of satellite speakers to carry the high range of the music, via a pair of male XLR jacks.

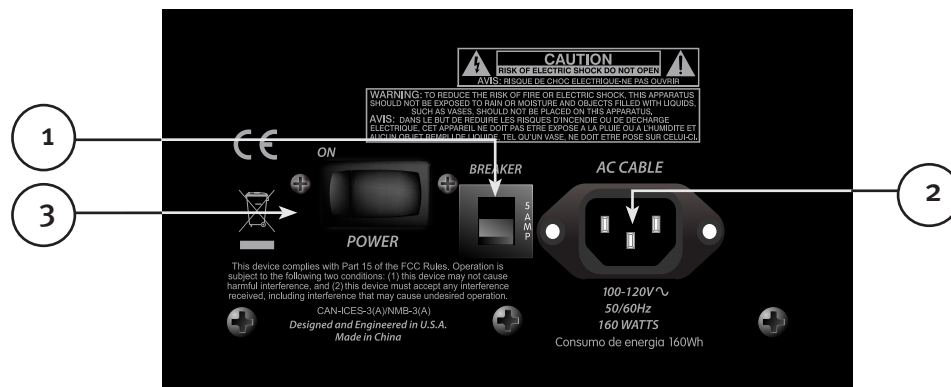
A Full-Range Thru output has a male XLR connector. These outputs allow linking of additional speaker systems, or feed of the signal to other devices, etc.

## APPLICATIONS

The Peavey® DM™ Sub has a variety of applications, such as extending the bass performance of smaller full-range speaker systems for sound reinforcement, public address, side fill system, karaoke or musical playback.

A typical signal source for the line-level inputs of the DM Sub would be a sound reinforcement mixing console (mixer) or the output from a CD player, MP3 player or tape deck. The high-pass filtered signal from the DM Sub would then be sent to a full-range powered speaker system, easing the burden of deep bass from this speaker system.

## REAR PANEL BOTTOM



### CIRCUIT BREAKER (1)

The unit is AC power line protected from overloads and fault conditions with a 5 amp circuit breaker. This breaker should not trip unless there is a fault in the amplifier circuitry or an abnormal operating condition, which causes excessive mains current to flow. If the breaker trips, set the Power switch (3) to OFF, and after waiting a brief period of time for the breaker to cool, reset the breaker.

If the circuit breaker trips, the center button will pop outward approximately 1/4", and can be reset by pushing upward and inward. Under normal (not tripped) conditions, the center button is relatively flat.

If the unit continues to trip the breaker, or trips it immediately after being reset, do not keep resetting it; the system should be taken to a qualified Peavey Service Center for repair.



### IEC POWER CORD CONNECTION (2)

This receptacle is for the IEC line cord (supplied) that provides AC power to the unit. It is very important that you ensure the DM Sub has the proper AC line voltage supplied. You can find the proper voltage for your DM Sub printed next to the IEC line (power) cord on the rear panel of the unit.

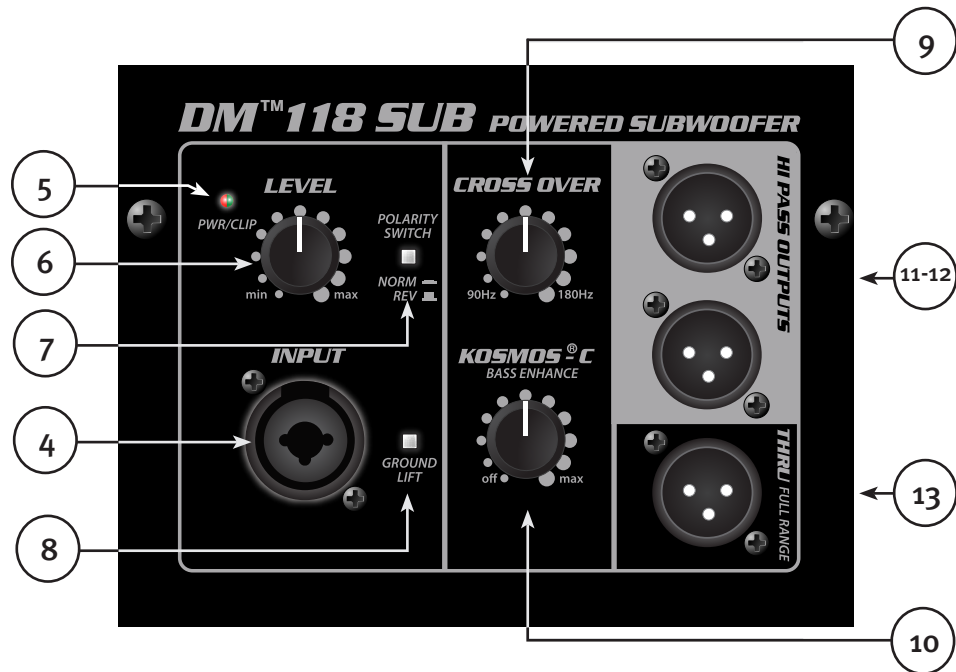


Please read this guide carefully to ensure your personal safety as well as the safety of your equipment. Never break off the ground pin on any equipment. It is provided for your safety. If the outlet used does not have a ground pin, a suitable grounding adapter should be used and the third wire should be grounded properly. To prevent the risk of shock or fire hazard, always be sure that the mixer and all other associated equipment are properly grounded.



### ON-OFF SWITCH (3)

This rocker switch supplies AC power to the DM Sub when switched to the ON position. The ON position is with the left side of the switch pushed "in" or nearly flush with the rear panel.



## TOP – OPERATING CONTROLS, INPUTS & OUTPUTS

### INPUT (4)

The line-level input is of the medium impedance balanced type. The jack is a combo female XLR and 1/4" TRS connector.

### LED (5)

Illuminates GREEN when the power switch is on and power is present

It turns RED when the power amp engages the DDT™ "soft limiting" circuitry. Occasional flashing is acceptable, but not a constant illumination, or distortion will be excessive.

There is also an LED visible on the front baffle of the Sub that illuminates BLUE when power is applied, and turns RED when the power amp engages the DDT "soft limiting" circuitry.

### LEVEL (6)

Controls the gain or output level of the input signal. It is used to directly set the system output level for a given input signal.

Normal usage is with the knob set to half-way, this is then equivalent in gain to a typical power amp input.

### POLARITY SWITCH (7)

Provides either 0 degrees or 180 degrees sub woofer polarity

This switch is used on conjunction with the Crossover Frequency Control (9) to provide for the best match between the Subwoofer output and the satellite speaker output in the crossover region.

### GROUND LIFT SWITCH (8)

Provided for lifting cable shield from chassis ground, to break potential ground loops and reduce hum.

## CROSSOVER FREQUENCY CONTROL (9)

Varies the crossover frequency between the Subwoofer and the High Pass Outputs sent to the satellite speaker(s) (11 & 12). Varies the electrical crossover frequency from 90 Hz to 180 Hz.

### **CAUTION! SETTING THIS CONTROL TOO LOW MAY ALLOW THE SATELLITE SPEAKER TO BE OVERLOADED BY DEEP BASS!**

Setting the control lower DOES NOT increase the deep bass output of the DM™ Sub; a middle (12 o'clock) to higher setting works best for most speakers.

## KOSMOS® C BASS ENHANCEMENT (10)

Provides the capability to add bass harmonics to enhance the perception of deep bass in the program material without overloading the Subwoofer speaker.

This control is best used in moderation, and turning it full up can cause the program material to sound distorted or unnatural.

## HIGH PASS OUTPUTS (11 & 12)

These outputs provide a high-pass filtered signal to be fed to a full-range powered speaker system, such as the DM™ 112 or DM 115. Other full-range powered speakers can be used, and full-range passive speakers can be used in conjunction with a suitable power amp to drive them.

These outputs are electronically buffered and isolated from the input and from each other, and their level is not affected by the DM Sub Level control (6).

## THRU FULL RANGE OUTPUT (13)

This output provides a full-range signal to be sent to any other device that requires a full-range signal, such as another DM Sub, or some other line level audio device. This output is electronically buffered and isolated from the input and from the other outputs.

## OPERATING INSTRUCTIONS

### CAUTIONS



The unit must be disconnected from the AC power source before any work is done on it. Refer all servicing to qualified service personnel.



The back plate can become hot to the touch. Do not block or cover the fan or the exhaust louvers from ventilation. There must be a minimum of 4" of space behind the fan. Do not allow the airflow to become blocked by objects such as curtains or drapes, thermal building insulation, etc. It is recommended that the rear of the DM Sub not be placed in a closed space or a space that has no fresh, cool airflow.



**DO NOT** connect the inputs of the DM Sub to the output of a power amplifier. The inputs are meant to be driven from a line-level strength signal.



**DO NOT** remove the protective metal grilles.

**WARNING!** The DM Sub is very efficient and powerful! This sound system can permanently damage hearing! Use extreme care setting the overall maximum volume!

The apparent sound level of the DM™ Sub can be deceiving due to its clear, clean sound output and lack of high frequencies. The lack of distortion or obvious distress can make the sound level seem much lower than it actually is. This system is capable of SPL in excess of 127 dB at 1 M from the speaker!



### PLACING A SATELLITE SPEAKER SYSTEM ON TOP OF THE DM SUB

The DM Sub has a threaded pole mount built-in to the top of the unit, and this is designed to mate with an M20 threaded pole of approximately 32" in length or less. This pole is specifically designed to be used with the following speaker systems:

Peavey DM 112

Peavey DM 115

Do not place a taller/larger or heavier speaker system than the DM™ 115 on this pole, or it may be unsafe due to the potential to tip over.

The DM Sub must be placed on firm and level ground, in order for the pole mounted speaker to be safe from tipping.

When installing or de-installing the speaker on the pole, it is a good practice to have a helper, if possible. It can be hard to "thread the needle" and mate the pole cup to the Subwoofer pole while holding the speaker system at arm's length.

When using the DM Sub and pole outdoors, never attach banners or flags to the pole or the pole mounted speaker system, as strong winds may cause the speaker to blow over. If there is a possibility of strong windy conditions, then it may be prudent to consider removing the speaker from the pole to prevent the DM Sub and pole mounted speaker system from being blown over.

## **CONNECTING AC POWER TO THE DM SUB**

The DM Sub comes with a 6-foot IEC connection AC power cord. If you are using an extension cord or power strip with this powered speaker, make sure it is of good quality and of a sufficient current capacity to maintain safety and maximize the power output capability of the DM Sub. For maximum undistorted output, do not connect any other device to the same extension cord that the DM Sub is connected to. Do not exceed the rated current capacity of the extension cord with the sum total of all units connected to it.

When first plugging in the DM Sub AC cord, make sure the power switch is in the Off position, and then turn it On only after connecting the power cord. Built-in muting will engage when the proper sequence of steps is taken.

## **SPECIAL NOTE FOR PERMANENT INSTALLATION**

When installing the DM Sub, AC power runs will be used and a certified electrician should be consulted to be sure that all AC wiring complies with local codes and regulations. It is also advisable to use a cable clip properly affixed to the cabinet to provide strain relief to the IEC power cord connected to the amplifier module at (2) so the power cord cannot be pulled out or vibrate loose.

## **CONNECTING A SIGNAL TO THE DM SUB**

There are a variety of ways to input a signal into the DM Sub.

The input (4) provides a balanced line-level input, allowing the use of a 1/4" TRS (ring-tip-sleeve) type phone plug or a male XLR plug. Of course, an unbalanced 1/4" phone plug can be used as well, but it will not have the benefit of the balanced connection's rejection of outside interference, such as hum and RFI.

Do not connect cables to the jacks while the unit is ON and the Level knob is turned up! While a standard single-ended 1/4" phone plug-equipped cable will work well and the balanced input circuitry will provide some interference rejection, a balanced cable using either the balanced TRS 1/4" phone plug or the XLR plug will provide superior interference rejection and performance.

Sometimes, with difficult interference problems, it will be helpful to lift the shield ground ( Pin #1 of an XLR) of a balanced cable at the DM Sub end. This can be done quite easily, by activating the Ground Lift switch (10) built into the DM Sub. Check any input changes carefully, always turning the Level control down before plugging and unplugging cables or lifting the ground.

Use of high quality, premium cables is recommended for the DM Sub, as these usually have better shielding and materials and will provide greater long-term reliability. The best option is a shielded balanced cable no longer than necessary to reach the DM Sub. It is usually a good idea to leave some slack at the input to the DM Sub and also to tape the cables down or run them under a cable guard, to avoid anyone tripping over them or pulling the DM Sub over when it is holding a speaker on top of its pole.

## **LEVEL CONTROL ADJUSTMENT**

The DM Sub is equipped with a Level control (6) on the input to facilitate use in many different applications. With the Level control adjusted fully clockwise, gain is at maximum and the input sensitivity is 0.24 V RMS for full-rated output.

It is recommended that the DM Sub Level control be set close to 12 o'clock position, or 0 dB preamp gain. At this setting, the input sensitivity is approximately 2.4 volts RMS for full-rated output. The DM Sub will now more closely match a typical power amp input.

If the mixing board indicates clipping of its output signals, then all of the DM Sub power capability is not being utilized cleanly. Clipping the signal before it gets to the DM Sub is not optimal. Reduce the mixer output level and turn up the Level control on the DM Sub.

The amplifier in the DM™ Sub is equipped with DDT™ and the LED indicator will show when the DDT has engaged. If the sound seems heavily compressed, check these indicators; if it is blinking RED more than occasionally, then the drive level from the mixer (or the Level control on the DM Sub) needs to be reduced.

When first turning on the sound system, switch on all upstream electronics first, then the DM Sub with its Level control fully counterclockwise (all the way down). Begin checking levels with the mixer output level controls all the way down, and bring them up slowly with the DM Sub Level control set to the desired setting (one-half way up recommended to start).

It is not good practice to turn the Level control on the DM Sub all the way up and then try to control level only from the mixer, as this approach would tend to pick up excess noise. Best practice would be to run a "hot" signal from the mixer down the cable to the DM Sub, and then turn the DM Sub Level control up only as much as necessary to reach full desired output. With this approach, it is necessary to verify the mixer output is not clipping.

## **CABLES FROM THE HIGH PASS OUTPUTS (11 & 12)**

The preferred method of connecting a full-range satellite speaker system to the DM Sub's High Pass Outputs (11 & 12) is to use a balanced XLR cable no longer than necessary to comfortably reach the satellite speaker system.

If the satellite speaker is on top of a pole above the DM Sub, then a 6 foot cable will be sufficiently long. A 10 or 20 foot cable could also be used, but cables longer than that will only allow more interference pickup and start to lose high-frequency information. Use of high quality, premium cables is recommended for the DM Sub, as these usually have better shielding and materials and will provide greater long-term reliability. It is usually a good idea to leave some slack at the output of the DM Sub, and also to tape the cables down or run them under a cable guard to avoid anyone tripping over them or pulling the DM Sub over when it is holding a speaker on top of its pole.

## **SETTING THE DM™ SUB CONTROLS FOR USE WITH SATELLITE SPEAKERS**

Crossover Frequency Control (9): In general, for smaller full-range speakers to be used as satellites, set the Crossover Frequency Control (9) to a higher frequency setting. For larger full-range speakers, set the Crossover Frequency Control (9) to a lower frequency setting. Setting the Crossover Frequency Control very much below the 12 o'clock position will not be needed most of the time, as a crossover frequency below 100 Hz is not going to allow the DM Sub and the satellite speaker to add together very well in the crossover region.

Polarity Switch (7): Try changing the Polarity Switch setting back and forth at each selected crossover frequency, so as to determine which switch position provides the most bass output in the crossover region.

Level Controls (6): Start with the DM Sub Level control in the 12 o'clock position, and adjust the satellite speaker system to match its level. Note that if the Subwoofer can be heard as a distinctly separate sound source, then it is probably set too high in level.

**For recommended settings for use with the DM™ 112/115 two-way powered speaker systems, see the Peavey website at: [www.peavey.com](http://www.peavey.com)**

## **SETTING THE KOSMOS® C BASS ENHANCE CONTROL (10)**

The Kosmos® C Bass Enhance control can add apparent bass extension and output to the reproduced sound, especially when the program material has significant content below the DM Sub's cut-off frequency.

When appropriate, judicious use can enhance the enjoyment of the music, and add punch and boom to the mix. However, setting the control to higher than optimal level can result in a perception of noticeable distortion or less clear bass sounds. Seldom will it be helpful to turn the control all the way up.

Typical use will involve a setting of the control knob somewhere between Off (full counter clockwise) and 12 o'clock (half-way up). Then the added effect is more subtle and less intrusive during certain moments in the music, while still providing a welcome enhancement of the overall sound.

Note that at extreme full clockwise settings, the effective gain of the Subwoofer is increased, so if it was on the verge of clipping before, turning the Bass Enhance Control way up may cause it to go into clipping.

## **DISCONNECTING AC POWER TO THE DM SUB**

We recommend that the Power switch (3) be used to turn the unit off first, and then the AC power cord can be removed. This minimizes stress to the power amplifiers and the transducers from turn-off transients. The power switch has an arc suppression capacitor to help during turn-off, and tends to make a clean disconnect from the AC power, while the power cord IEC connector can make intermittent contact before finally becoming fully disconnected, e.g., as when wiggling the cord.



## TROUBLESHOOTING

### NO OUTPUT AT ALL

First, make sure the unit has AC power and is turned ON. Make sure the LED on the power amp module is illuminated.

If not, make certain the ON/OFF switch (3) is in the ON position and check the IEC power cord connection (2) by ensuring it is fully engaged and seated. Make certain the AC line cord is plugged into a working AC outlet.

Finally, check the breaker (1). (See the Rear Panel: Breaker section, for safety instructions.)

Once assured your unit is getting AC power, check that the DM™ Sub is getting a signal. Temporarily disconnect the cable running to its inputs and connect it to some other device capable of reproducing the signal (i.e., a power amp and speaker). If this produces a signal, make sure that all Level controls being used have been turned up to a satisfactory level (one-third to halfway).

If the DM Sub has been subjected to direct sunlight or excessive heat, the built-in thermal protection may have been triggered. If so, turn off the DM Sub and let it cool for a sufficient amount of time.

If there is still no output, contact your authorized Peavey dealer or the Peavey International Service Center.

### HUM OR BUZZ

If the DM Sub is producing a hum or buzz, this can be AC outlet related. Try plugging the DM Sub into a different AC outlet. Sometimes, if a different circuit (breaker) is used for the mixer and for the DM Sub, it can cause hum problems. Unless it is not practical, it is best to use the same wall outlet (breaker) to supply power to both the mixer and the powered speaker.

Ensure that shielded cables have been used to route the signal to the DM Sub's input. If speaker cables with 1/4" plugs are used as input cables instead of shielded cables, they will be prone to hum or buzz.

Hum may be ground loop related. It may be helpful to lift the shield ground (Pin #1) on a balanced cable at the DM Sub end. This is done quite easily by activating the Ground Lift switch (10) built-in to the DM Sub. Check any input changes carefully by first turning down the Level control, before plugging and unplugging cables, or lifting the shield ground at the Sub.

Check to make sure light dimmers are not on the same circuit as the DM Sub, the mixer or any source devices. If light dimmers are used, then it may be necessary to turn them full ON or full OFF to eliminate or reduce hum. This is a typical AC wiring/light dimmer interference problem, not a design flaw of the DM Sub.

The third wire (ground plug) on the AC plug should NEVER be removed or broken off, as this is a potential safety hazard.

### DISTORTED OR FUZZY SOUND

First, ensure the mixer (signal source) is not clipping or being overdriven. Make sure the Level (6) control on the DM Sub has not been set too low. Check that the input plug is fully seated in the input jack on the rear panel of the DM Sub. Ensure that a power amp has not been plugged into the input jack of the DM Sub. If an extension cord is being used to provide the AC power to the unit, ensure that it is of sufficient current capacity and that it is not also being used to supply power to any other device.

The DM Sub has a built-in bass boost to extend and smooth the natural response of the speakers in the system, so it should require little, if any, additional EQ. If excessive additional bass boost has been added externally to the DM Sub, it could cause premature overload at high SPL. Reduce the amount of any external (mixer, rack) EQ and see if that clears up the distortion.

Finally, realize that even though the DM Sub is a powerful and high output unit, it does ultimately have limits, and it may need additional powered Subwoofer units to provide enough sound output or coverage. In this case, try turning the mixer levels down a little to see if that clears things up. If, after checking all the things listed to check and anything else you can think of to check safely, the system still exhibits problems, carefully note all conditions and check with your Peavey dealer for advice.



## **CARE AND MAINTENANCE**

Your DM Sub is a sturdy and durable product and will provide years of reliable use if properly cared for. Use common sense and read the safety warnings to avoid hazardous operating conditions.

The unit must be disconnected from the AC power source before any work is done on it. Refer all servicing to qualified service personnel.

### **SUNLIGHT/HEAT**

Avoid prolonged exposure to direct sunlight, as this may cause the unit to overheat and thermally shut off.

Excessively hot operating conditions can also cause a thermal shutdown.

Do not store in extremely hot or cold conditions or extremely high humidity. Always allow unit to come to room temperature before use.

### **CLEANING**

Never clean the DM Sub while plugged in or turned ON! When the unit has been fully disconnected from AC power sources, use a dry cloth to remove soil or other dirt. Never use strong solvents on the DM Sub, as they could damage the cabinet. Do not allow ANY fluids to drip inside the DM Sub.

### **TOUCH-UP**

For a touch-up of any damage to the black painted finish of the DM Sub, you can use a black spray paint such as Peavey Commercial Sound, Black Touch-Up Paint, Peavey part number 00052110. Follow the directions on the can for safety and best results.

### **CHECK FOR SECURE HARDWARE**

After the first few weeks of use and periodically thereafter, check the hardware of the DM Sub for tightness, including the rear panel screws and the screws that hold the grille and cabinet together.

The unit is subject to a great deal of vibration, and this could cause them to loosen with use.



*Features and specifications are subject to change without notice.*

## DM™ 115 SUB SPECIFICATIONS

### Frequency Range (-10 dB, Half Space):

43 Hz – 180 Hz\*

\*Crossover Control Full CW

### Frequency Response, 1 Meter On-axis, Swept-sine In Anechoic Environment (-6 dB):

48 Hz – 138 Hz\*

\*Crossover Control Full CW

### Power Amp Rating, Total Power Output:

800 watts peak available power

Continuous Power: 470 watts into 4 ohms

### Electronic Input Impedance (Nominal):

Line In: 2.2 k ohms balanced (XLR or 1/4"), 10 k ohms unbalanced 1/4"

### Sound Pressure Level, 1 Watt, 1 Meter In Anechoic Environment:

97 dB SPL

### Maximum Sound Pressure Level (1 meter):

123 dB SPL continuous

127 dB SPL peak

### Transducer Complement:

15" premium heavy-duty woofer, 3" voice coil

### Box Tuning Frequency:

50 Hz

### Input Connections:

One combo female XLR/ 1/4" phone jack providing balanced or unbalanced operation.

### Output Connections:

Two High Pass Outputs, independently electrically buffered, with switchable output level pad.

One Full Range Thru, electrically buffered.

### Controls:

*Level:* Provides +/- 20 dB gain adjustment

*Crossover Frequency Adjust:* Adjusts electrical crossover frequency from 90 Hz to 180 Hz, continuously variable.

*Kosmos® C:* Provides bass enhancement processing.

*Polarity Switch:* Provides either 0 degrees or 180 degrees sub woofer polarity

*Ground Lift Switch:* For input

### Electronic Crossover

Continuously variable from 90 Hz to 180 Hz.

Low Pass slope: 24 dB/octave

High Pass Output slope: 18 dB/octave

### Infrasonic Filter Slope:

36 dB/octave

### Nominal Amplifier Frequency Response:

+0, -3 dB from 20 Hz to 20 kHz

### Hum and Noise:

Greater than 90 dB below rated power

### DDT Dynamic Range:

Greater than 21 dB

### THD and IM:

Typically less than 0.5 %

### Damping Factor:

Greater than 100 @ 1000 Hz, 4 Ohms

### Power Requirements Of Peavey PVX™p Sub System:

Nominal 370 Watts, 100-120 VAC 50-60 Hz (Domestic)

220-240 VAC 50-60 Hz (Export)

### Enclosure Materials & Finish:

Black acrylic painted enclosure with 15 mm MDF, with a full-length, black powder coated perforated steel grille.

### Dimensions (H x W x D)

24.25" x 16.81" x 23.06"

616 mm x 427 mm x 586 mm

### Net Weight:

71.0 lbs. (32.3 kg)

### Mounting Provisions:

1 3/8" pole mount with M20 threaded pole for stand mounting a suitable speaker on top of the Sub, and four large rubber feet on bottom for floor use.

### Features:

- Vented bass powered subwoofer enclosure
- 800 watts peak available power
- 15" Heavy duty woofer
- Power Amp has forced air cooling for maximum reliability
- Internal line level low-pass/high-pass crossover network
- Fully adjustable Kosmos® C for increased bass impact
- XLR/one quarter inch combo jack input
- Two High-Pass XLR outputs, One Full Range Thru XLR output
- Phase Switch for phase reversal of subwoofer
- Ground Lift for lifting cable shield from ground
- Full-coverage heavy-duty perforated steel grill
- Steel handles
- Compact dimensions for a 15" woofer based sub
- Threaded Pole Mount with speaker pole included

## DM™ 118 SUB SPECIFICATIONS

### Frequency Range (-10 dB, Half Space):

39 Hz – 188 Hz\*

\*Crossover Control Full CW

### Frequency Response, 1 Meter On-axis, Swept-sine In Anechoic Environment (-6 dB):

44 Hz – 176 Hz\*

\*Crossover Control Full CW

### Power Amp Rating, Total Power Output:

800 watts peak available power

Continuous Power: 470 watts into 4 ohms

### Electronic Input Impedance (Nominal):

Line In: 2.2 k ohms balanced (XLR or 1/4"), 10 k ohms 1/4" unbalanced

### Sound Pressure Level, 1 Watt, 1 Meter In Anechoic Environment:

95 dB SPL

### Maximum Sound Pressure Level (1 meter):

122 dB SPL continuous

125 dB SPL peak

### Transducer Complement:

18" premium heavy-duty woofer, 3" voice coil

### Box Tuning Frequency:

45 Hz

### Input Connections:

One combo female XLR/ 1/4" phone jack providing balanced or unbalanced operation.

### Output Connections:

Two High Pass Outputs, independently electrically buffered, with switchable output level pad.

One Full Range Thru, electrically buffered.

### Controls:

Level: Provides +/- 20 dB gain adjustment

Crossover Frequency Adjust: Adjusts electrical crossover frequency from 90 Hz to 180 Hz, continuously variable.

Kosmos® C: Provides bass enhancement processing.

Phase Switch: Provides either 0 degrees or 180 degrees subwoofer phase

Ground Lift Switch: For input

### Electronic Crossover

Continuously variable from 90 Hz to 180 Hz.

Low Pass slope: 24 dB/octave

High Pass Output slope: 18 dB/octave

### Infrasonic Filter Slope:

36 dB/octave

### Nominal Amplifier Frequency Response:

+0, -3 dB from 20 Hz to 20 kHz

### Hum and Noise:

Greater than 90 dB below rated power

### DDT Dynamic Range:

Greater than 21 dB

### THD and IM:

Typically less than 0.5 %

### Damping Factor:

Greater than 100 @ 1000 Hz, 4 Ohms

### Power Requirements Of Peavey PVX™p Sub System:

Nominal 370 Watts, 100-120 VAC 50-60 Hz (Domestic)

220-240 VAC 50-60 Hz (Export)

### Enclosure Materials & Finish:

Black acrylic painted enclosure with 15 mm MDF, with a full-length, black powder coated perforated steel grille.

### Dimensions (H x W x D)

25.87" x 20.0" x 23.12"

657 mm x 508 mm x 587 mm

### Net Weight:

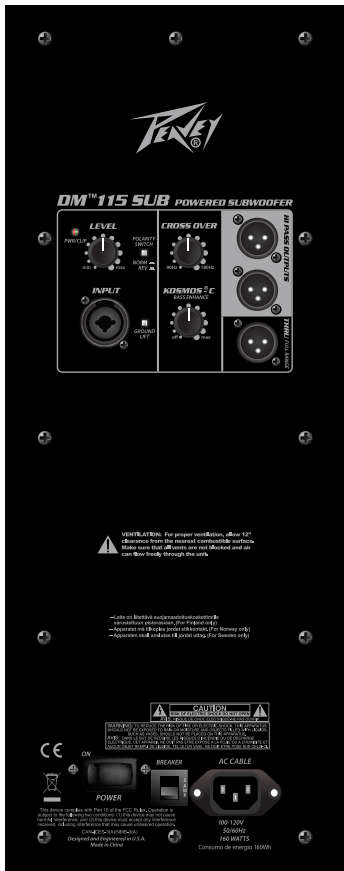
97 lbs. (44.1 kg)

### Mounting Provisions:

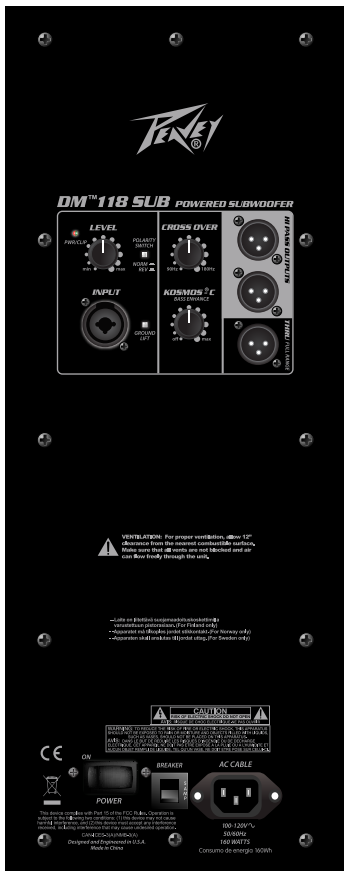
1 3/8" pole mount with M20 threaded pole for stand mounting a suitable speaker on top of the Sub, and four large rubber feet on bottom for floor use.

### Features:

- Vented bass powered subwoofer enclosure
- 800 watts peak available power
- 18" Heavy duty woofer
- Power Amp has forced air cooling for maximum reliability
- Internal line level low-pass/high-pass crossover network
- Fully adjustable Kosmos® C for increased bass impact
- XLR/one quarter inch combo jack input
- Two High-Pass XLR outputs, One Full Range Thru XLR output
- Phase Switch for phase reversal of subwoofer
- Ground Lift for lifting cable shield from ground
- Full-coverage heavy-duty perforated steel grill
- Steel handles
- Compact dimensions for a 18" woofer based sub
- Threaded Pole Mount with speaker pole included
- Large heavy-duty locking casters with damped bearings

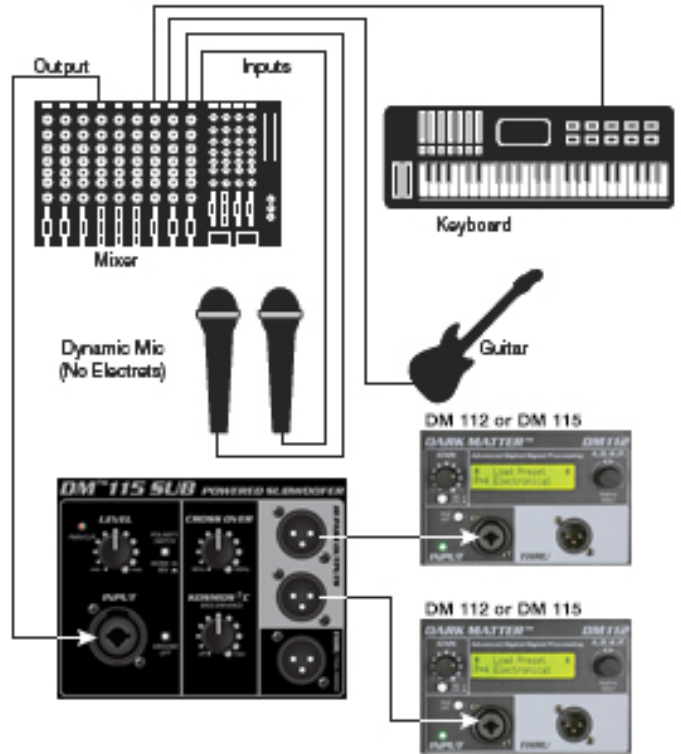
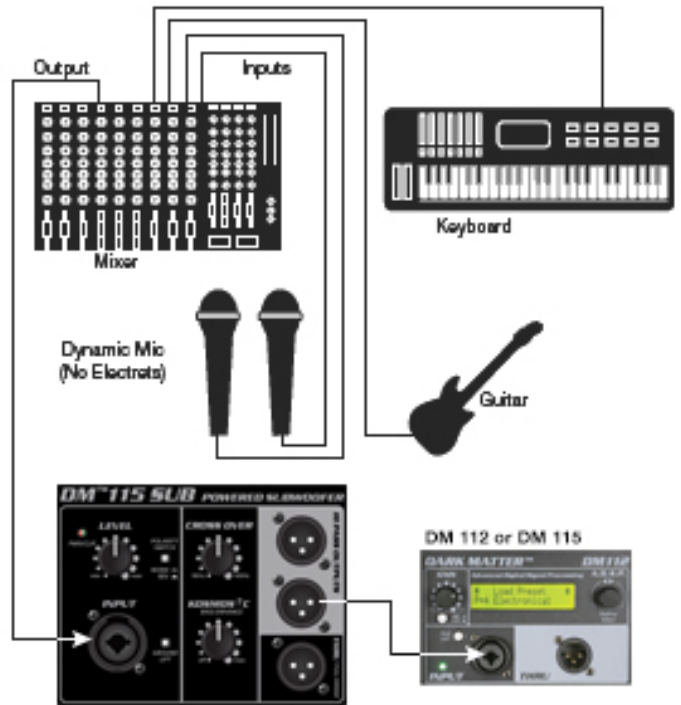


DM™ 115 SUB BACK PANEL



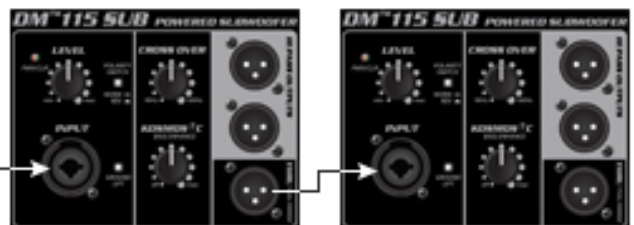
DM™ 118 SUB BACK PANEL

Typical Usage

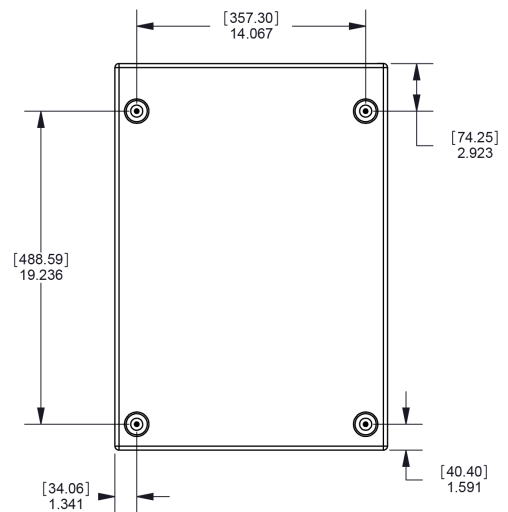
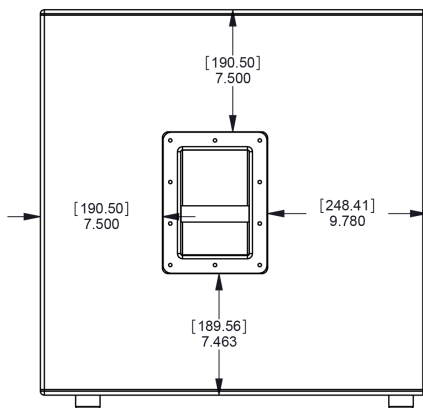
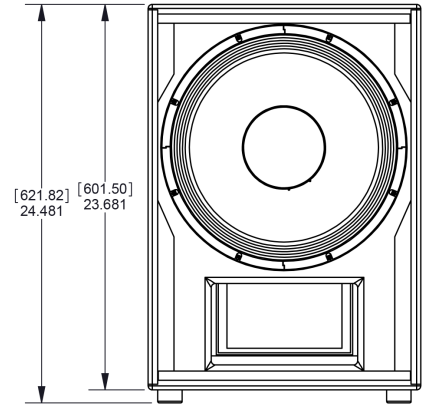
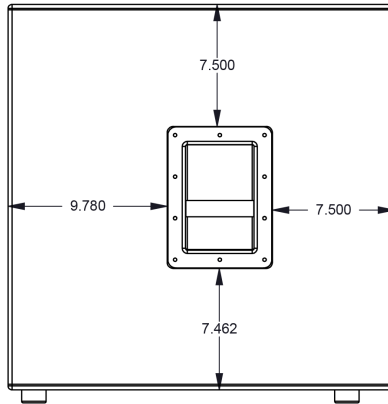
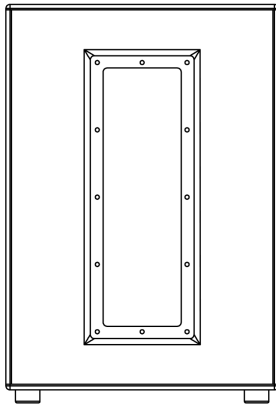
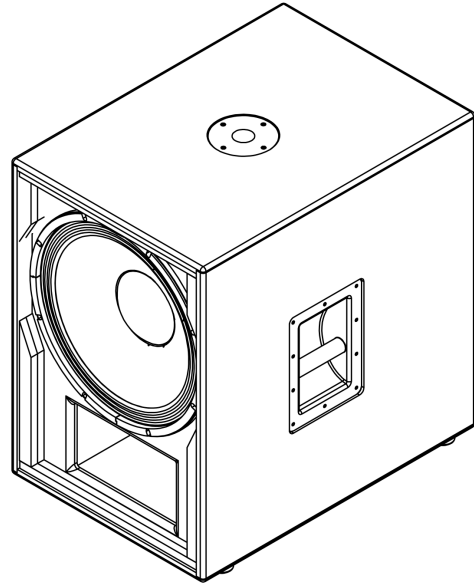
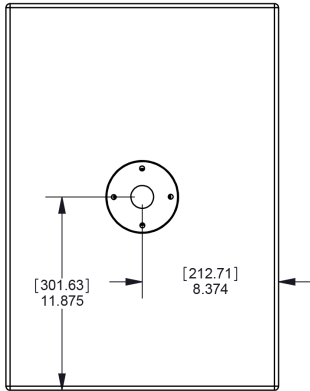


Input to 1st Sub

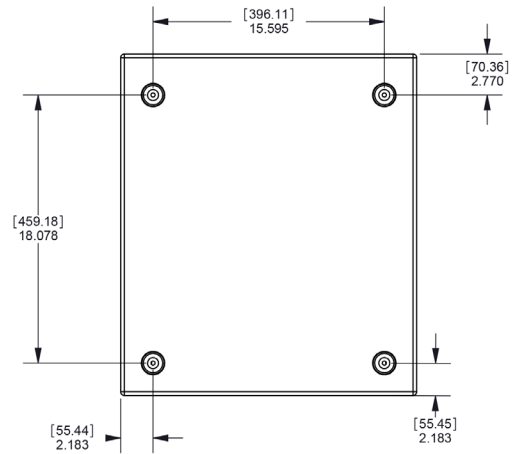
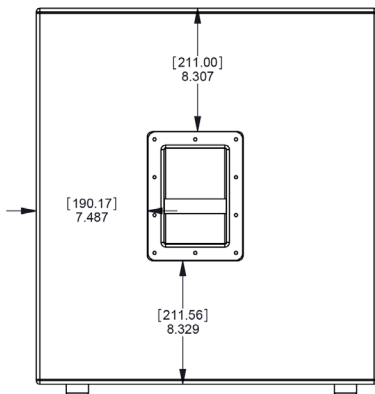
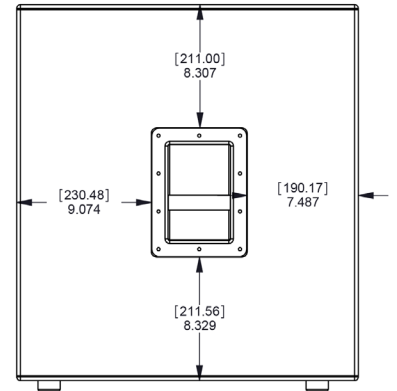
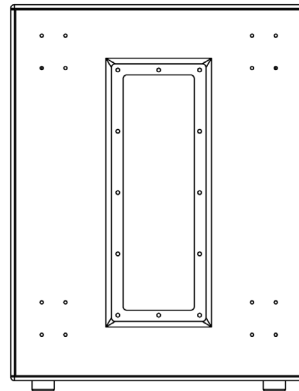
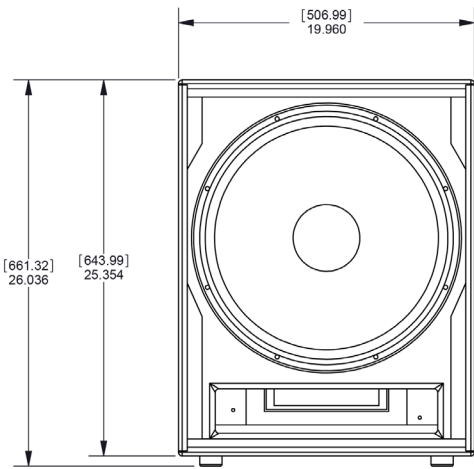
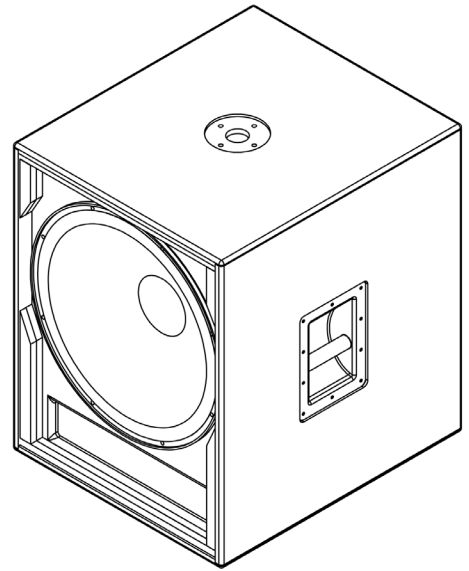
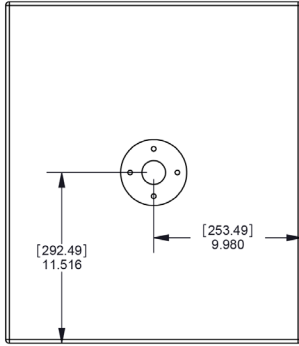
Daisy-Chain Connection (Multiple Subs)



# DM™ 115 SUB DIMENSIONS



# DM™ 118 SUB DIMENSIONS









# PEAVEY ELECTRONICS CORPORATION LIMITED WARRANTY

Effective Date: 09/15/2010

## What This Warranty Covers

Your Peavey Warranty covers defects in material and workmanship in Peavey products purchased and serviced in the U.S.A. and Canada.

## What This Warranty Does Not Cover

The Warranty does not cover: (1) damage caused by accident, misuse, abuse, improper installation or operation, rental, product modification or neglect; (2) damage occurring during shipment; (3) damage caused by repair or service performed by persons not authorized by Peavey; (4) products on which the serial number has been altered, defaced or removed; (5) products not purchased from an Authorized Peavey Dealer.

## Who This Warranty Protects

This Warranty protects only the original purchaser of the product.

## How Long This Warranty Lasts

The Warranty begins on the date of purchase by the original retail purchaser. The duration of the Warranty is as follows:

Product Category	Duration
Guitars/Basses, Amplifiers, Preamplifiers, Mixers, Electronic Crossovers and Equalizers	2 years *(+ 3 years)
Drums	2 years *(+ 1 year)
Enclosures	3 years *(+ 2 years)
Digital Effect Devices and Keyboards and MIDI Controllers	1 years *(+ 1 year)
Microphones	2 years
Speaker Components (incl. Speakers, Baskets, Drivers, Diaphragm Replacement Kits and Passive Crossovers)	1 year
Tubes and Meters	90 Days
Cables	Limited Lifetime
AmpKit Link, Xport, Rockmaster Series, Strum'n Fun, RetroFire, GT & BT Series Amps	1 year

[\* Denotes additional Warranty period applicable if optional Warranty Registration Card is completed and returned to Peavey by original retail purchaser within 90 days of purchase.]

## What Peavey Will Do

We will repair or replace (at Peavey's discretion) products covered by Warranty at no charge for labor or materials. If the product or component must be shipped to Peavey for Warranty service, the consumer must pay initial shipping charges. If the repairs are covered by Warranty, Peavey will pay the return shipping charges.

## How To Get Warranty Service

(1) Take the defective item and your sales receipt or other proof of date of purchase to your Authorized Peavey Dealer or Authorized Peavey Service Center.

OR

(2) Ship the defective item, prepaid, to Peavey Electronics Corporation, International Service Center, 412 Highway 11 & 80 East, Meridian, MS 39301. Include a detailed description of the problem, together with a copy of your sales receipt or other proof of date of purchase as evidence of Warranty coverage. Also provide a complete return address.

## Limitation of Implied Warranties

ANY IMPLIED WARRANTIES, INCLUDING WARRANTIES OF MERCHANTABILITY AND FITNESS FOR A PARTICULAR PURPOSE, ARE LIMITED IN DURATION TO THE LENGTH OF THIS WARRANTY.

Some states do not allow limitations on how long an implied Warranty lasts, so the above limitation may not apply to you.

## Exclusions of Damages

PEAVEY'S LIABILITY FOR ANY DEFECTIVE PRODUCT IS LIMITED TO THE REPAIR OR REPLACEMENT OF THE PRODUCT, AT PEAVEY'S OPTION. IF WE ELECT TO REPLACE THE PRODUCT, THE REPLACEMENT MAY BE A RECONDITIONED UNIT. PEAVEY SHALL NOT BE LIABLE FOR DAMAGES BASED ON INCONVENIENCE, LOSS OF USE, LOST PROFITS, LOST SAVINGS, DAMAGE TO ANY OTHER EQUIPMENT OR OTHER ITEMS AT THE SITE OF USE, OR ANY OTHER DAMAGES WHETHER INCIDENTAL, CONSEQUENTIAL OR OTHERWISE, EVEN IF PEAVEY HAS BEEN ADVISED OF THE POSSIBILITY OF SUCH DAMAGES.

Some states do not allow the exclusion or limitation of incidental or consequential damages, so the above limitation may not apply to you.

This Warranty gives you specific legal rights, and you may also have other rights which vary from state to state.

If you have any questions about this Warranty or services received or if you need assistance in locating an Authorized Service Center, please contact the Peavey International Service Center at (601) 483-5365.

Features and specifications are subject to change without notice.



Logo referenced in Directive 2002/96/EC Annex IV (OJ(L)37/38, 13.02.03 and defined in EN 50419: 2005)  
The bar is the symbol for marking of new waste and is applied only to equipment manufactured after 13 August 2005

# Optional Product Extended Warranty Registration

Give us some information and put your extended warranty into effect!

Please take a few minutes to fill out this information/survey sheet to help us get to know and serve you better.  
To save time, submit your warranty registration online at [www.peavey.com/support/warrantyregistration](http://www.peavey.com/support/warrantyregistration)

**1.**

First Name \_\_\_\_\_ Initial \_\_\_\_\_ Last Name \_\_\_\_\_

Street Address \_\_\_\_\_

City \_\_\_\_\_ State/Province \_\_\_\_\_ Postal Code \_\_\_\_\_

( ) \_\_\_\_\_

Telephone Number \_\_\_\_\_ E-mail Address \_\_\_\_\_

( ) \_\_\_\_\_ - \_\_\_\_\_ - \_\_\_\_\_

Fax Number \_\_\_\_\_ Date of Birth \_\_\_\_\_

Gender  M  F

**2.**

--	--	--	--	--	--	--	--

Model \_\_\_\_\_ 8-Digit Serial Number \_\_\_\_\_

Date of Purchase \_\_\_\_\_ Price Paid \_\_\_\_\_

**3.**

Name of store where purchased \_\_\_\_\_

City \_\_\_\_\_ State \_\_\_\_\_

**4.** Top two (2) reasons why you purchased from this store/dealer:

- |   |  |
|---|--|
| <input type="checkbox"/> Availability of product          | <input type="checkbox"/> Past favorable experience |
| <input type="checkbox"/> Friend/Relative's recommendation | <input type="checkbox"/> Best price                |
| <input type="checkbox"/> Store credit card                | <input type="checkbox"/> Advertised special        |
| <input type="checkbox"/> Knowledgeable staff              | <input type="checkbox"/> Convenient location       |
| <input type="checkbox"/> Availability of lessons          | <input type="checkbox"/> Received as a gift        |
| <input type="checkbox"/> Technical instruction            | <input type="checkbox"/> Other _____               |

**5.** Where do you most often shop for music and sound products?

- |   |   |
|---|---|
| <input type="checkbox"/> Independent retailer | <input type="checkbox"/> Newspaper ads      |
| <input type="checkbox"/> Mass market retailer | <input type="checkbox"/> Internet/Web sites |
| <input type="checkbox"/> Mail order magazines | <input type="checkbox"/> Other _____        |

**6.** What two (2) factors most influenced your purchase of this product?

- |  |   |
|--|---|
| <input type="checkbox"/> Peavey brand name   | <input type="checkbox"/> Product appearance           |
| <input type="checkbox"/> Craftsmanship       | <input type="checkbox"/> Durability                   |
| <input type="checkbox"/> Features for price  | <input type="checkbox"/> Prior experience with Peavey |
| <input type="checkbox"/> Bundled accessories | <input type="checkbox"/> Packaging                    |
| <input type="checkbox"/> Sound quality       | <input type="checkbox"/> Other _____                  |

**7.** How did you learn about this Peavey product? (select best answer)

- |   |   |
|---|---|
| <input type="checkbox"/> Magazine review                  | <input type="checkbox"/> Teacher's recommendation |
| <input type="checkbox"/> Newspaper review                 | <input type="checkbox"/> Catalog or flyer         |
| <input type="checkbox"/> Radio advertisement              | <input type="checkbox"/> Saw in store             |
| <input type="checkbox"/> Advertised special               | <input type="checkbox"/> Use by professional      |
| <input type="checkbox"/> Friend/Relative's recommendation | <input type="checkbox"/> Other _____              |
| <input type="checkbox"/> Salesperson's recommendation     |   |

**8.** Which other brands/models did you consider?

\_\_\_\_\_

**9.** How would you describe your level of musicianship/technical expertise?

- Beginner - Never played or taken less than one (1) year of lessons  
 Intermediate - One (1) to five (5) years of lessons or playing  
 Advanced - More than five (5) years of lessons or playing; play professionally

**10.** Education: (select best answer)

- High school  
 Some college  
 Completed college  
 Graduate school

**11.** Which best describe your family income? (select best answer)

- |  |  |
|--|--|
| <input type="checkbox"/> Under \$15,000      | <input type="checkbox"/> \$75,000 - \$99,999   |
| <input type="checkbox"/> \$15,000 - \$24,999 | <input type="checkbox"/> \$100,000 - \$149,999 |
| <input type="checkbox"/> \$25,000 - \$34,999 | <input type="checkbox"/> Over - \$150,000      |
| <input type="checkbox"/> \$35,000 - \$49,999 |  |
| <input type="checkbox"/> \$50,000 - \$74,999 |  |

**12.** Which of the following is your primary source of information on musical products: (select best answer)

- |                                     |   |
|-------------------------------------|---|
| <input type="checkbox"/> Television | <input type="checkbox"/> Mail order catalogs          |
| <input type="checkbox"/> Radio      | <input type="checkbox"/> Direct mail                  |
| <input type="checkbox"/> Internet   | <input type="checkbox"/> Literature from manufacturer |
| <input type="checkbox"/> Newspaper  | <input type="checkbox"/> Other _____                  |
| <input type="checkbox"/> Magazines  |   |

**13.** What is your main motivation for buying new equipment?

- |  |  |
|--|--|
| <input type="checkbox"/> Replacing old product               | <input type="checkbox"/> Impulse                       |
| <input type="checkbox"/> Want new and leading edge equipment | <input type="checkbox"/> Need for improved performance |
| <input type="checkbox"/> Fulfill a specific need             | <input type="checkbox"/> New technology                |
| <input type="checkbox"/> Supplement existing products        | <input type="checkbox"/> Availability of product       |
| <input type="checkbox"/> Value                               | <input type="checkbox"/> Other _____                   |


**14.** Please list your three most frequently visited Web sites.

1. http:// \_\_\_\_\_  
 2. http:// \_\_\_\_\_  
 3. http:// \_\_\_\_\_

**15.** In your opinion, what could Peavey do to improve its products and/or service? Please use the space below to tell us your answer.

\_\_\_\_\_  
 \_\_\_\_\_  
 \_\_\_\_\_

Thank you for taking the time to fill out our survey! Don't forget to fold and tape (with Peavey address facing out), affix postage stamp and drop in the mail!

 Logo referenced in Directive 2002/96/EC Annex IV (OJ/L37/38,13.02.03 and defined in EN 50419: 2005 The bar is the symbol for marking of new waste and is applied only to equipment manufactured after 13 August 2005



**FROM:**

Place  
Postage  
Here

**Peavey Electronics Corporation**  
Attn: Warranty Department  
P.O. Box 5108  
Meridian, Ms 39302-5108

