

## Model No.

# LT-810-SM810-VL

## Music, paging & sound masking speaker

- **1'x 2' assembly w/patented T-bar support\***
- **50 ohm potentiometer VC**

\*US patent no's. 7,120,269; D467,579; 7,643,647 and 6,950,526

Quick-install loudspeaker for suspended tile ceilings features a paging driver that fires down for clear voice transmission and a masking driver that fires up to shape background sound levels for improved privacy and productivity. Ships ready to install.

### Construction & Features

- **Patented\* T-Bar Support:** Installs quickly when replacing half of non-regular 2x2 ceiling tile or 1/4 of non-regular 2x4 ceiling tile. T-bar supports neighboring non-regular ceiling tile.
- **Steel Backbox:** 23.75"L x 10.5"W x 6"H box is partitioned to provide 700 cu.in. volume for each speaker. Includes 1.5" thick acoustic lining.
- **Drivers:** Two 8" 15W dual-cone drivers — one fires up, one fires down
- **Transformers:** Two TLM572 transformers (only 70V leads are available). Taps — 0.25, 0.5, 1, 2, 5W @ 70V.
- **Steel Grille:** 1'x 2' subplate and grille with fine-perforation pattern and white finish provides maximum free-air space for excellent sound transmission.
- **Volume Control:** 50 ohm potentiometer shaft-adjust VC for the masking driver only.
- The T-bar has a restraint tab in one corner and a hole on the opposite corner for (two-cable) tie-off or code compliance (cable not included).

### A&E Specifications

The music-paging-sound masking speaker for installation in a suspended tile ceiling shall be Lowell Model No. LT-810-SM810-RS, which shall be a 1'x 2' system to replace half of a non-regular 2' x 2' ceiling tile or 1/4 of a non-regular 2' x 4' ceiling tile. The assembly shall include an integral T-Bar to support adjacent ceiling tile, black steel backbox that measures 23.75"L x 10.5"W x 6"H and features an acoustic lining, two factory-mounted 8" 15W dual-cone drivers (one firing up, one firing down), two 70V transformers, a subplate with fine perforation white grille, and a 50 ohm potentiometer shaft-adjust volume control for the masking driver only. The T-bar has a restraint tab in one corner and a hole on the opposite corner for (two-cable) tie-off or code compliance.



The assembly features two factory-mounted drivers with 70V transformers — one firing up to shape background noise for sound masking, one firing down for music and paging.

Heard Everywhere Since 1947

## Assembly Summary

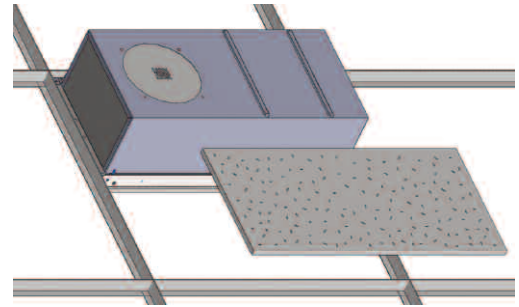
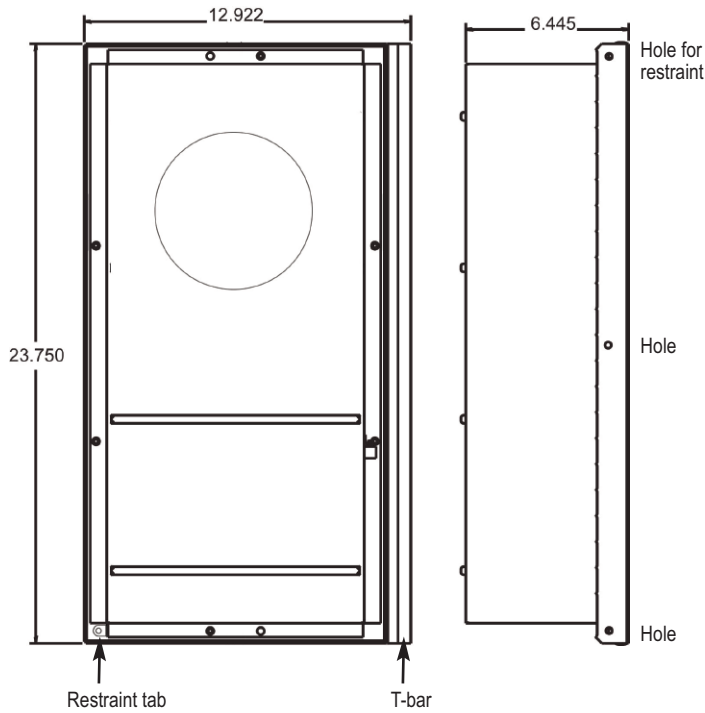
Model No.	Description	Drivers	Transformers	Backbox	Grille
LT-810-SM810-VL	1x2 Music-Paging-Sound Masking Speaker	(2) 8" 15W dual-cone	(2) 70V (taps 0.25, 0.5, 1, 2, 5W)	23.75" x 10.5" x 6"	White

## Driver Specs (measured half space)

Driver	Size	Power Rating	Type	Ceramic Magnet	Frequency Response	Dispersion (2000Hz Octave)	Voice Coil Impedance	Voice Coil Diameter	Sensitivity 1W/1M	Max SPL*	Depth (w/o xfrm)	Weight (w/o xfrm)
810	8"	15W	Dual cone	10 oz.	54Hz-11.6 kHz (±6dB) 50Hz-20 kHz (±6.6dB)	95° conical (-6dB)	8 Ohms	1"	97.9 dB Avg	109.7 dB	2.84"	2.0 lbs

\* Calculated Value 1M @ Driver Power Rating. Complete information including frequency and polar data is available on Driver No. 810 spec sheet.

## Drawings



1'x2' installation: Replaces half of a non-regular 2'x 2' ceiling tile or one-fourth of a non-regular 2'x 4' ceiling tile. Integral T-Bar supports neighboring non-regular cut tile.