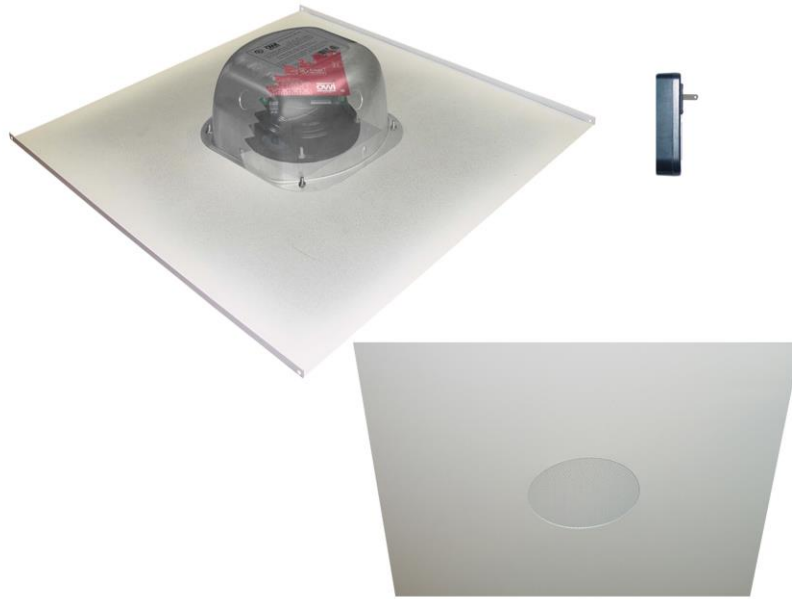


OWI INC

USER MANUAL: Model: 2X2AMP-BT2S61

Speaker Combination Models

2X2AMP-BT2S61 / 2X2AMP-BT2S62 / 2X2AMP-BT2S64
2X2AMP-BT2S61SVC / 2X2AMP-BT2S62SVC / 2X2AMP-BT2S64SVC



OWI Incorporated
17141 Kingsview Ave. Carson CA 90746-1207 USA
Tel. 310-515-1900 Fax 310-515-1606

info@owi-inc.com
www.owi-inc.com
Technical Support 310-515-1900

OWI User Manual: Model 2X2AMP-BT2S61 Speaker Amplifier

PROPRIETARY NOTICE

The OWI Inc. product information and design disclosed herein were originated by and are the property of OWI Inc. OWI Inc. reserves all patent, proprietary design, manufacturing, reproduction, use and sales rights thereto, and to any article disclosed therein, except to the extent right(s) are expressly granted to others.

COPYRIGHT NOTICE

This manual is Copyright 2014 by OWI Inc. All rights reserved. Reproduction in whole or in part without written prior permission from OWI, Inc. is prohibited.

UNPACKING AND INSPECTION NOTICE

Immediately upon receipt of the equipment, inspect the shipping container and the contents carefully for any discrepancies or damage. Should there be any, notify the freight company and OWI, Inc. or the dealer where purchased at once.

LIMITED WARRANTY

1. This product has been thoroughly tested and inspected at the factory. It is warranted for one year from the date of purchase.
IT IS THE OWNERS' RESPONSIBILITY TO ESTABLISH THE DATE OF PURCHASE BY ACCEPTABLE EVIDENCE AT TIME SERVICE IS SOUGHT.
2. Any unit, which in the judgment of OWI INC, is defective or develops defects under normal use will be replaced or repaired without cost within the warranty period.
3. This warranty will be considered void if the unit is dropped, misused, abused and altered in any manner, overdriven with excess amplification exceeding manufacturer's specification, improperly serviced or accidentally damaged.
4. OWI Inc. shall have no liability whatsoever for consequential damages. The sole responsibility at the discretion of OWI Inc. under this warranty shall be limited to the repair of the product or replacement thereof. Any and all implied warranties including the implied warranty of merchantability are limited to the duration of this express limited warranty.
OWI, Inc. is NOT liable for incidental or consequential damages of any kind.
5. IMPORTANT: This warranty is void unless the attached card is completed and mailed to OWI Inc. within 10 days following the date of purchase. Units must be sent to OWI Inc. or to the dealer where purchased.

RETURN SHIPPING INSTRUCTIONS, Obtain a RETURN AUTHORIZATION from:
OWI Inc., 17141 Kingsview Ave, Carson, CA 90746.
Phone (310) 515-1900, Fax (310) 515-1606

FCC Notice: This equipment has been tested and found to comply with the limits for a Class A digital device, pursuant to part 15 of the FCC Rules. These limits are designed to provide reasonable protection against harmful interference when the equipment is operated in a commercial environment. This equipment generates, uses, and can radiate radio frequency energy and, if not installed and used in accordance with the instruction manual, may cause harmful interference to radio communications. Operation of this equipment in a residential area is likely to cause harmful interference in which case the user will be required to correct the interference at his or own expense.

Modifications not expressly approved by the manufacturer could void the user's authority to be operated under FCC rules.

Table of Contents

| Description | Page |
|--|--------------|
| Proprietary, Copyright Notices | 2 |
| Unpacking and Inspection | 2 |
| Warranty Information | 2 |
| Return Shipping Instructions | 2 |
| Table of Contents | 3 |
| Important Safety Instructions | 4 - 5 |
| Introduction | 6 |
| Specifications | 7 - 8 |
| Illustration: Connection and Control | 9 |
| Chained Self Amplified Speakers Wiring | 10 |
| Bluetooth Operation | 11 |
| One, Two, Four Speaker Combination Wiring | 12 |
| Input Connectors Wiring | 13 |
| Volume Control Wiring Diagram | 14 |
| Installation | 15 |
| Warranty | 16 |
| Back Cover | 17 |
| | |
| | |
| | |
| | |

IMPORTANT SAFETY INSTRUCTIONS



CAUTION



RISK OF ELECTRIC SHOCK - DO NOT OPEN

NOTE: Installation is to be completed by a qualified electrical technician according to NEC/CEC code and applicable local codes.

CAUTION: The power supply is not to be used in air handling spaces.

CAUTION: To reduce the risk of electric shock: Do not remove the cover or back: No user-serviceable parts inside: refer servicing to qualified personnel.

The lightning flash with arrowhead within an equilateral triangle is intended to alert the user to the presence of uninsulated “dangerous voltage” within the product’s enclosure that may be of sufficient magnitude to constitute a risk of electric shock to persons.

The exclamation point within an equilateral triangle is intended to alert the user of the presence of important operating and maintenance (servicing) instructions in the literature accompanying the appliance.

The apparatus shall not be exposed to dripping or splashing and that no objects filled with liquids, such as vases, shall be placed on the apparatus.

IMPORTANT SAFETY INSTRUCTIONS

1. Read these instructions. All the safety and operation instructions should be read before this OWI product is operated.
2. Keep these instructions - The safety and operating instructions should be kept for future reference.
3. Heed all warnings - All warnings on this product and in these operating instructions should be followed.
4. Follow all instructions - All operating and other instructions should be followed.
5. Do not use this apparatus near water - for example, near a bathtub, washbowl, kitchen sink, laundry tub, in a wet basement, near a swimming pool, or a swamp.
6. Clean only with dry cloth.
7. Do not block any ventilation openings. Install in accordance with the manufacturer’s instructions. - This OWI product should be situated so that its location or position does not interfere with its proper ventilation. For example, the component should not be situated on a bed, sofa, rug, or similar surface that may block any ventilation openings, or placed in a built-in installation such as a bookcase or cabinet that may impede the flow of air through ventilation openings.
8. Do not install the unit near any heat sources such as radiators, heat registers, stoves or other apparatus (including amplifiers) that produce heat.

9. Do not defeat the safety purpose of the polarized or grounding-type plug. A polarized plug has two blades with one wider than the other. A grounding type plug has two blades and a third grounding prong. The wider blade or the third prong is provided for your safety. If the provided plug does not fit into your outlet, consult an electrician for replacement of the obsolete outlet.
10. Protect the power cord from being walked on or pinched particularly at plugs, convenience receptacles, and the point where they exit the apparatus.
11. Only use attachment/accessories specified by the manufacturers.



Portable Cart Warning

12. Use only with the cart, stand, tripod, bracket or table specified by the manufacturer, or sold with the apparatus. When a cart is used, use caution when moving the cart/apparatus combination to avoid injury from tip-over.
13. Unplug this apparatus during lightning storms or when unused for long periods of time.
14. Refer all servicing to qualified service personnel. Servicing is required when the apparatus has been damaged in any way, such as power-supply cord or plug is damaged, liquid has been spilled or objects have fallen into the apparatus, the apparatus has been exposed to rain or moisture, does not operate normally, or has been dropped. The user should not attempt to service this OWI product beyond those means described in this operating manual. All other servicing should be referred to the OWI Service Department.
15. **WARNING:** To reduce the risk of fire or electric shock, do not expose this apparatus to rain or moisture.
16. To prevent electric shock, do not use this polarized plug with an extension cord, receptacle or other outlet unless the blades can fully be inserted to prevent blade exposure.
17. Exposure to extremely high noise levels may cause permanent hearing loss. Individuals vary considerably in susceptibility to noise-induced hearing loss, but nearly everyone will lose some hearing if exposed to sufficiently intense noise for a period of time. The U.S. Government's Occupational Safety and Health Administration (OSHA) has specified the permissible noise level exposures shown in the following chart. According to OSHA, any exposure in excess of these permissible limits could result in some hearing loss. To ensure against potentially dangerous exposure to high sound pressure levels, it is recommended that all persons exposed to equipment capable of producing high sound pressure levels use hearing protectors while the equipment is in operation. Ear plugs or protectors in the ear canals or over the ears must be worn when operating the equipment in order to prevent a permanent hearing loss if exposure is in excess of the limits set forth here.
18. OWI recommends that this apparatus be placed on a switched power outlet, one that switches both sides and has contact separation of at least 3 millimeters.

End of IMPORTANT SAFETY INSTRUCTIONS

Introduction

The OWI **2X2AMP-BT2S61** is a self powered speaker/amplifier on a 2X2 Tile with backcan enclosure. This unit can drive up to four speakers connected series parallel to have a net impedance of 8 ohms. With an included UL Listed, **Level 5** (Energy Star), 15 volt, 3.5 ampere power supply, the amplifier can output 40 watts, or 10 watts per speaker in a four speaker hook-up.

Special features of the OWI Model 2X2AMP-BT2S61 include:

Bluetooth Feature

Certified SIG Bluetooth Version 3.0, Frequency Range 2.40 – 2.48 MHz, Supports A2DP, AVRCP, HFP/HSP and SPP, Password Protected.

Energy Star Mode

If no audio is present on any input, the power consumption of the speaker amplifier is less than one (1) watt.

Two (2) audio inputs: Line In and Jack Line In

The **LINE IN** inputs accepts a balanced input via a Phoenix style screw terminal plug. The **JACK LINE IN** accepts unbalanced input via 3.5 mini jack. The mini jack accept stereo inputs. The stereo channels are summed together. This input is muted during Priority Override.

Priority Override Feature

The **Priority** input accepts balanced input levels of resistor selected 100 volts audio, 70 volts audio, 25 volts audio and 1 volt (approximately line level) audio. Audio on the **Priority** input suspends audio on the **Line In and Jack Line In** inputs and switches the speaker amplifier to pass the **Priority** audio. After the **Priority** audio stops, the unit waits before returning to the **Line In and Jack Line In** audio input.

Balanced Line Level Output

A nominal 0dB level, balanced output is available at LINE OUT. The source of this output is both balanced and Jack Line In sources.

Power Amplifier Features

The power amplifier outputs 2 times 20 watts or 40 watts total into 8 ohms and 15VDC power. The class D power amplifier has reduced radiated electromagnetic interference (EMI) due to a special feature of the power amplifier, operating in a patented spread spectrum. The power amplifier protects itself from over-temperature, over-current, over-voltage conditions. The power amplifier will shut itself down during these conditions.

IMPORTANT NOTE! This amplifier is intended for audio use only! Continuous sine wave drive into a load will cause the amplifier to shut itself down when it heats up.

SPECIFICATIONS (MODEL 2X2AMP-BT2S61)

| BLUETOOTH SPECIFICATIONS |
|---------------------------------------|
| 2X2AMP-BT2S61 |
| Certified SIG Bluetooth Version 3.0 |
| Frequency Range 2.40 – 2.48 MHz |
| Supports A2DP, AVRCP, HFP/HSP and SPP |
| Password Protected |
| |

| ELECTRICAL AMPLIFIER | 2X2AMP-BT2S61 SPECIFICATIONS |
|---------------------------------------|---|
| Input voltage, nominal | (25 watts) 15 volts DC |
| Input current, operating (15VDC) | 1.667 amperes peak |
| Input volt-amperes, peak (15VDC) | 25 volt-amperes |
| Input voltage, maximum | 16.5 volts, DC |
| Frequency Response, | |
| EQ set to flat | 50Hz to 15 kHz |
| Bass | ±10dB@50Hz |
| Treble | ±10dB@10kHz |
| THD + Noise | <1% at 15 watts, "A" weighted |
| S/N | >90 dB |
| Max Power Output (28V in) | 2 times 20 watts or a total of 40 watts |
| DC Power, Standby | 1.5 watts |
| AC Power, Sleep Mode (Energy Star) | less than 1 watt |
| DC Power, | |
| Short Circuit protected | Yes |
| Over current protected | Yes |
| Over voltage protected | Yes |
| Over temperature protected | Yes |
| Minimum Load Impedance | 4.0 Ω (Two 8 Ω Speakers in parallel) |
| Minimum Input impedance, Priority in | 20,000 Ω |
| Minimum Input impedance, Bal. Line in | 820 Ω |
| Minimum Input impedance, mini-jack | 2300 Ω |
| Dynamic Mic input impedance | 300 Ω |
| Warranty | 1 year |

OWI User Manual: Model 2X2AMP-BT2S61 Speaker Amplifier

Mechanical "UL rating is dependent upon use of the Backcan and Tile Bridge"

| 2X2AMP-BT2S61 SPECIFICATIONS | |
|---|---------------------|
| Speaker Diameter | 6.5 inches |
| Weight of Amplifier/Speaker Assembly | 9 pounds |
| Height of Amplifier/Speaker Assembly | 4.5 inches |
| Backcan "Suitable for use in air handling spaces" | UL Listed Enclosure |
| 2X2 Tile | Support Truss |

POWER SUPPLY

| PS15VDC35AL5 | SPECIFICATIONS |
|--------------------------|--|
| Input | 100 to 240 VAC, 50-60 Hz, 1.4A Note: Be sure to use the correct polarity on the power input. |
| Output | 15 VDC, 3.5 amperes |
| Wire gauge and length | Minimum 18 gauge up to 40 feet maximum length |
| Electrical, Power Supply | UL Listed, Level 5 (Energy Star) |
| Weight | 0.45 pounds |
| Size | 4.7"H x 2"W x 1.2"D |

CAUTION: The Power Supply is not to be used in air handling spaces.

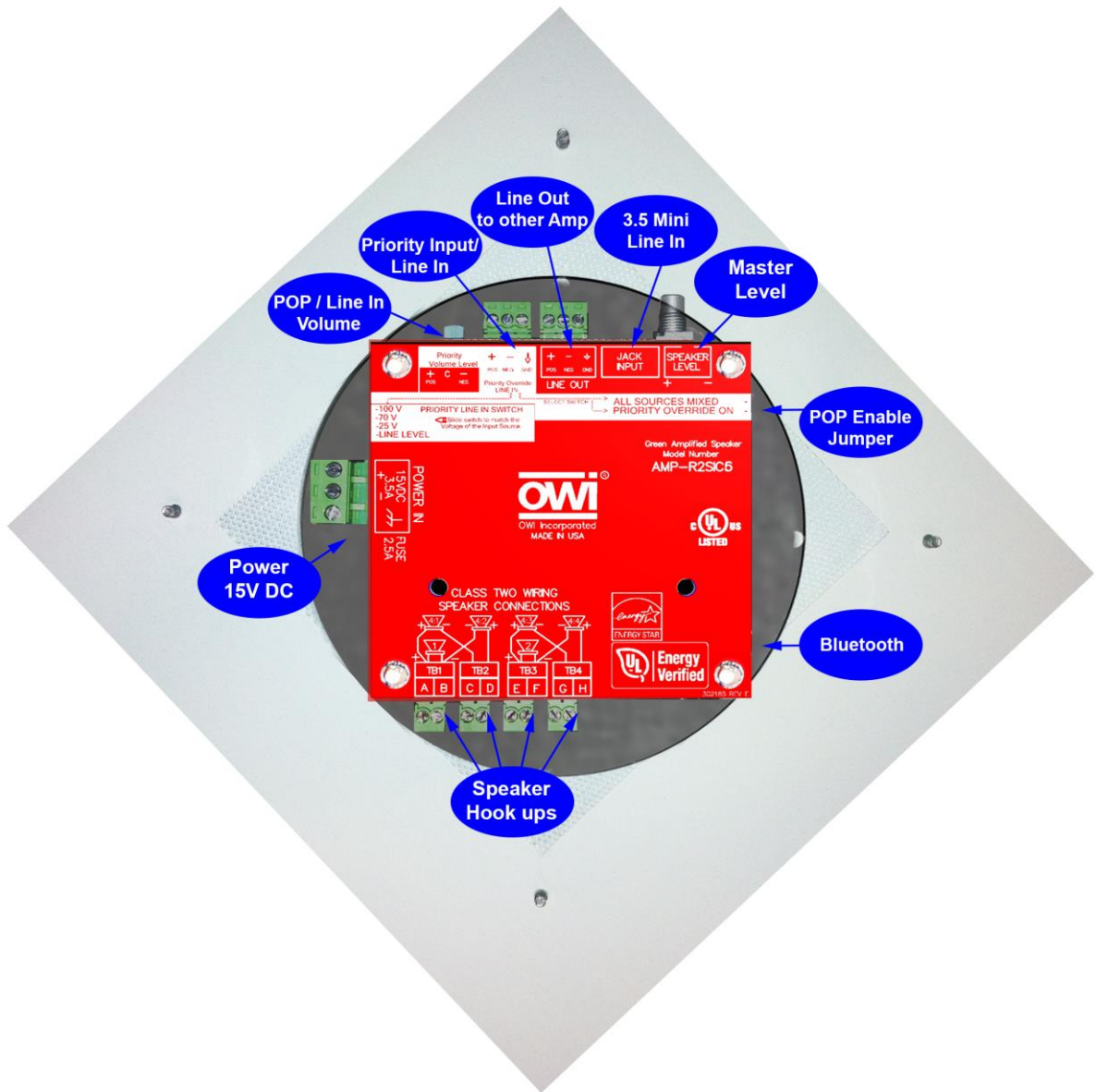
**Note: Maximum power requires the replacement of the 15 volt supply with a 22 volt supply and Energy Star and UL approvals no longer apply.*

Power Supply Wire Gauge and Length - Minimum 18 gauge up to 40 feet maximum length

| NON-AMPLIFIED SPEAKER | IC6 |
|---|----------------------|
| DESCRIPTION: | 6.5", 2-way, coaxial |
| IMPEDANCE: | 8 ohms |
| SENSITIVITY (1W/1M): | 86dB |
| DISPERSION: | 120 degrees |
| MAX POWER (8 Ohms) | 50 watts |
| NOMINAL POWER (8 Ohms) | 25 watts |
| FREQUENCY RESPONSE: | 65Hz ~ 20 kHz |
| WOOFER SIZE: | 6.5" |
| WOOFER MATERIAL: | Paper, PP coated |
| TWEETER SIZE: | 0.5" |
| TWEETER MATERIAL: | PEI |
| GRILL MATERIAL: | Aluminum |
| OVERALL DIMENSIONS (Diameter X Height): Inches | Φ8.93*3.45 |
| CUT OUT SIZE (Diameter): Inches | Φ7.68 |
| WEIGHT: lbs. | 2.5 |
| MOUNTING HARDWARE: | Mounting Clamps |

End of Specifications

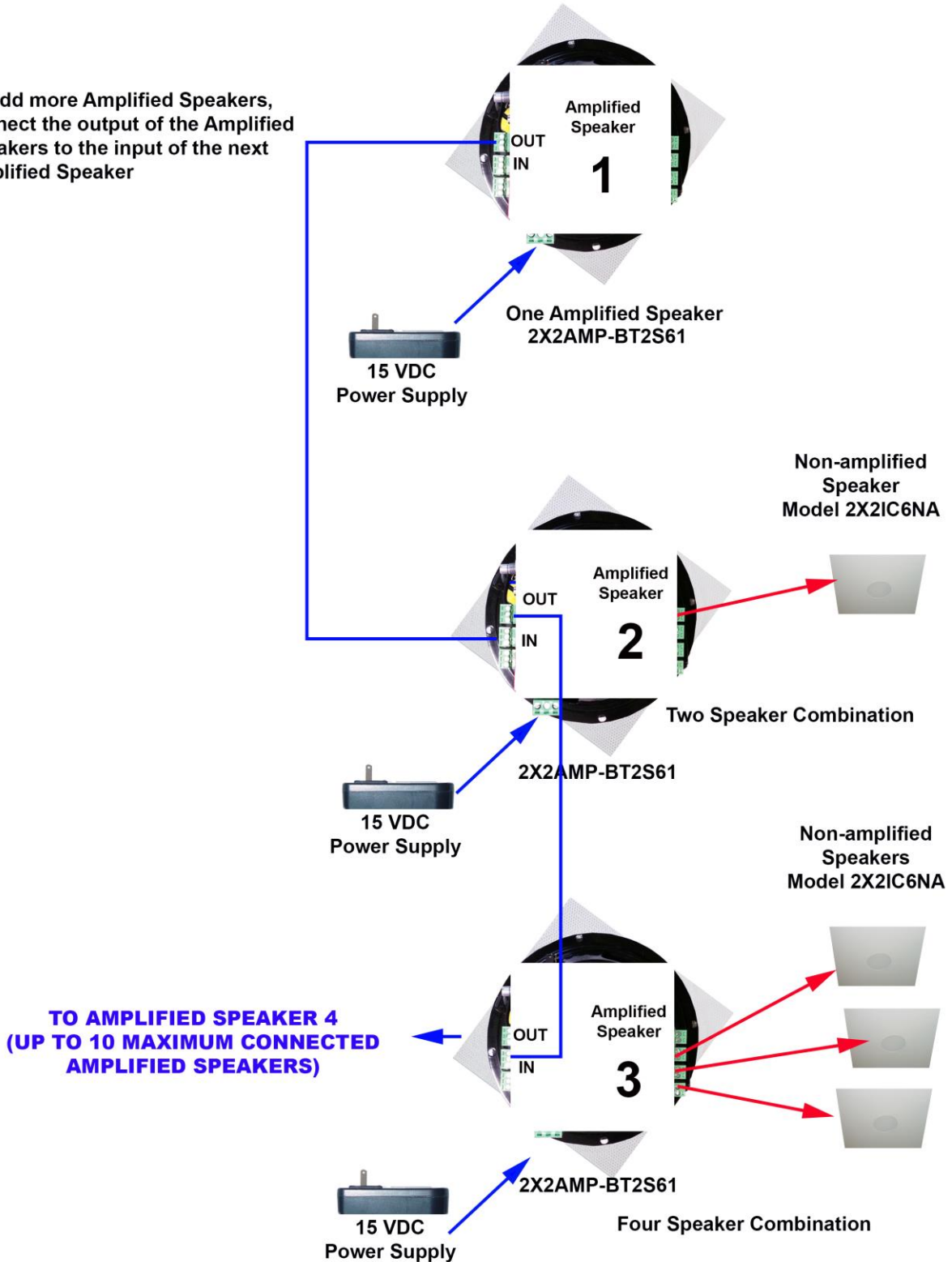
Illustration: Connection and Control



2X2AMP-BT2S61 TO ANOTHER 2X2AMP-BT2S61 SPEAKER WIRING SINGLE LINE DIAGRAM

Chained Self Amplified Speakers Wiring

To add more Amplified Speakers, connect the output of the Amplified Speakers to the input of the next Amplified Speaker



BLUETOOTH OPERATION

Discovery

- When the speaker amp is first turned ON, the Red LED light will turn ON and the speaker amp should be discoverable by a Bluetooth enabled device such as a PC, tablet, iPhone or other smartphone.
- Open the device Bluetooth manager and review its list of discoverable Bluetooth devices. The speaker amp will appear as OWI-XXXX where XXXX is the last 4 digits of the speaker amp MAC address. Note: The speaker amp MAC address is identified on a label located on the speaker amp board.

Pairing

- Select the OWI-XXXX Bluetooth device from the list and the device will pair with the speaker amp. Note: If the speaker amp is password protected, you will be required to enter the correct PIN before the pairing process will begin. If the PIN has not been changed on the speaker amp, entering 1234 will begin the pairing process.

Operation

Once the speaker amp is paired with the device, audio from the device should pass through and be heard from the speaker(s) connected to the speaker amp.

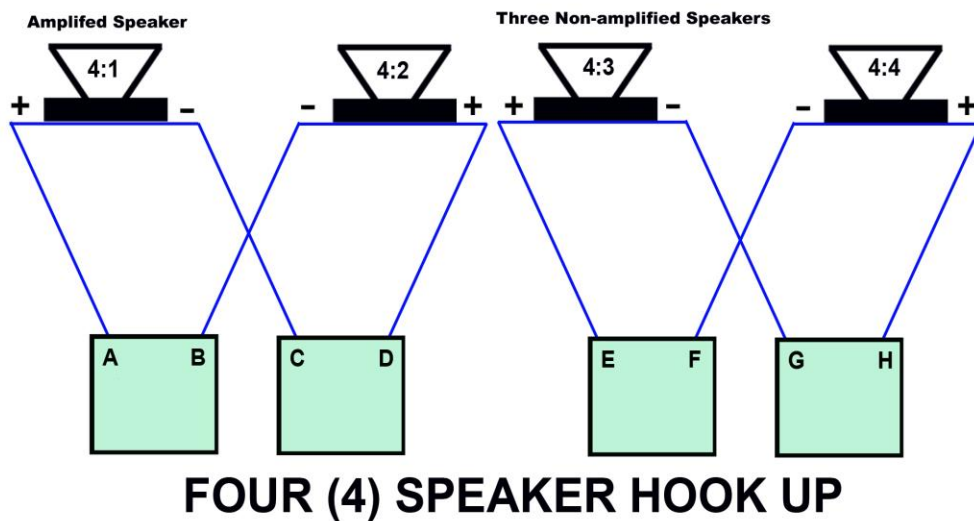
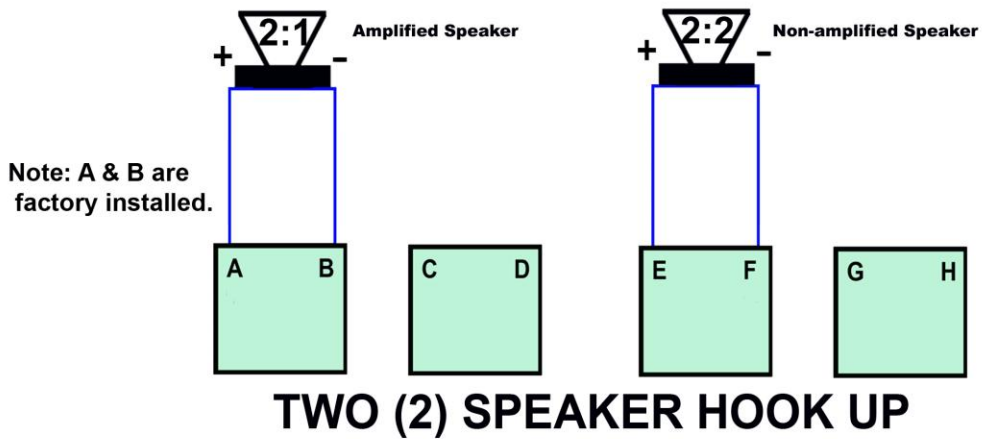
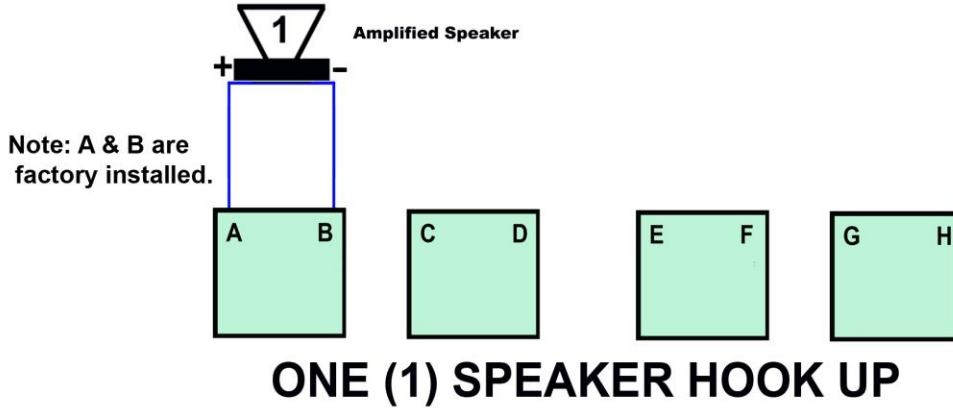
Reset Bluetooth settings

It is possible to reset all Bluetooth settings including the Bluetooth PIN to the factory default values.

- Turn the power OFF to the speaker amp.
- Locate the 5pin header on the speaker amp board.
- Plug in the reset receptacle onto the header.
- Turn the power ON to the speaker amp.
- Wait 10secs
- View the newly generated PIN listed on your device 'PIN XXXX' where XXXX is the new PIN. Note: every time the reset receptacle is installed onto the 5pin header, a new PIN will be generated.
- Write down the PIN and keep in a safe place.
- Turn the power OFF to the speaker amp.
- Remove the reset receptacle from the 5pin header.
- All Bluetooth settings including the PIN have been reset to the factory settings.

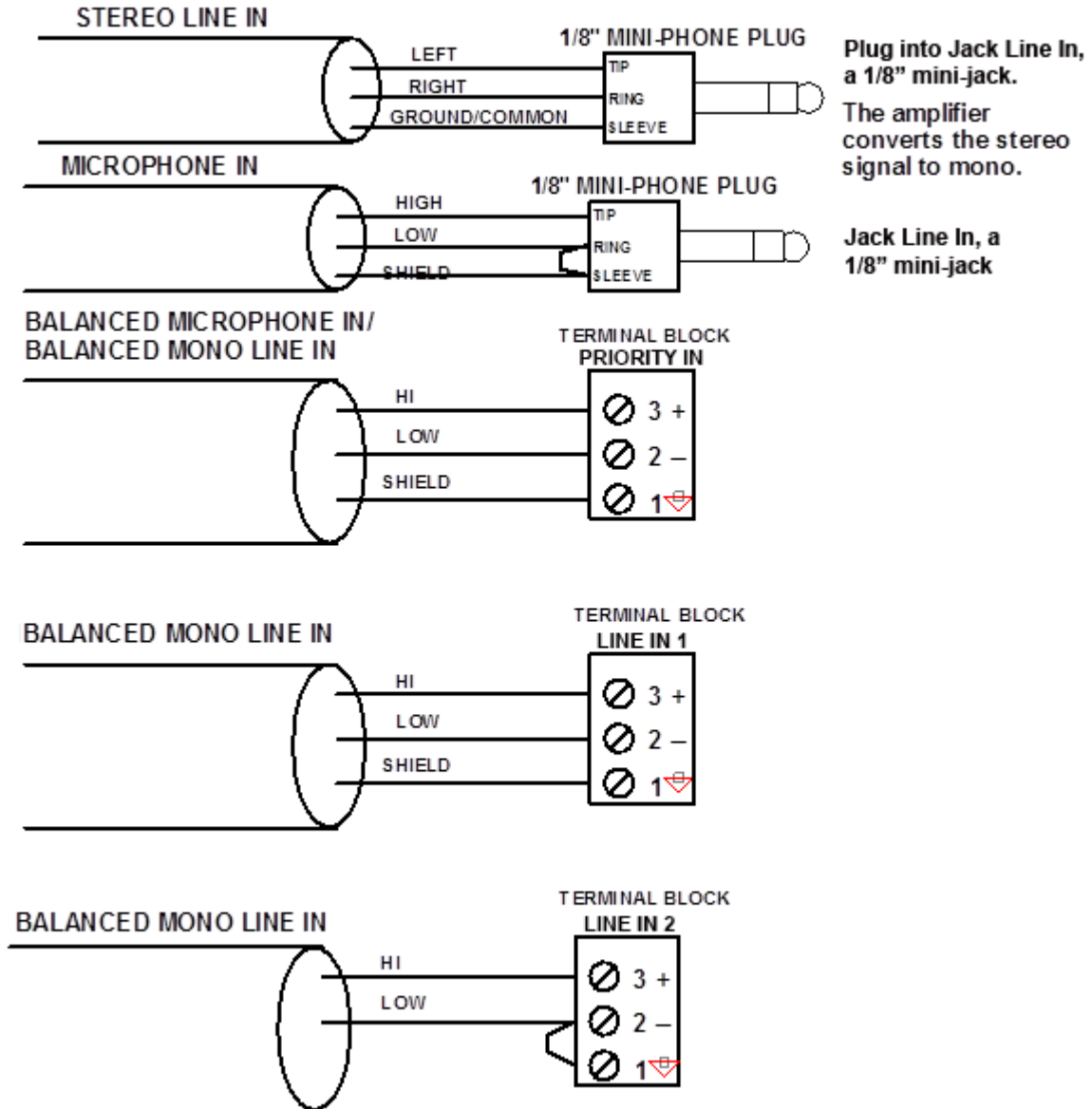
One, Two, Four Speaker Combination Wiring

AMPLIFIED SPEAKER TO NON-AMPLIFIED SPEAKER HOOK UPS



INPUT CONNECTORS WIRING

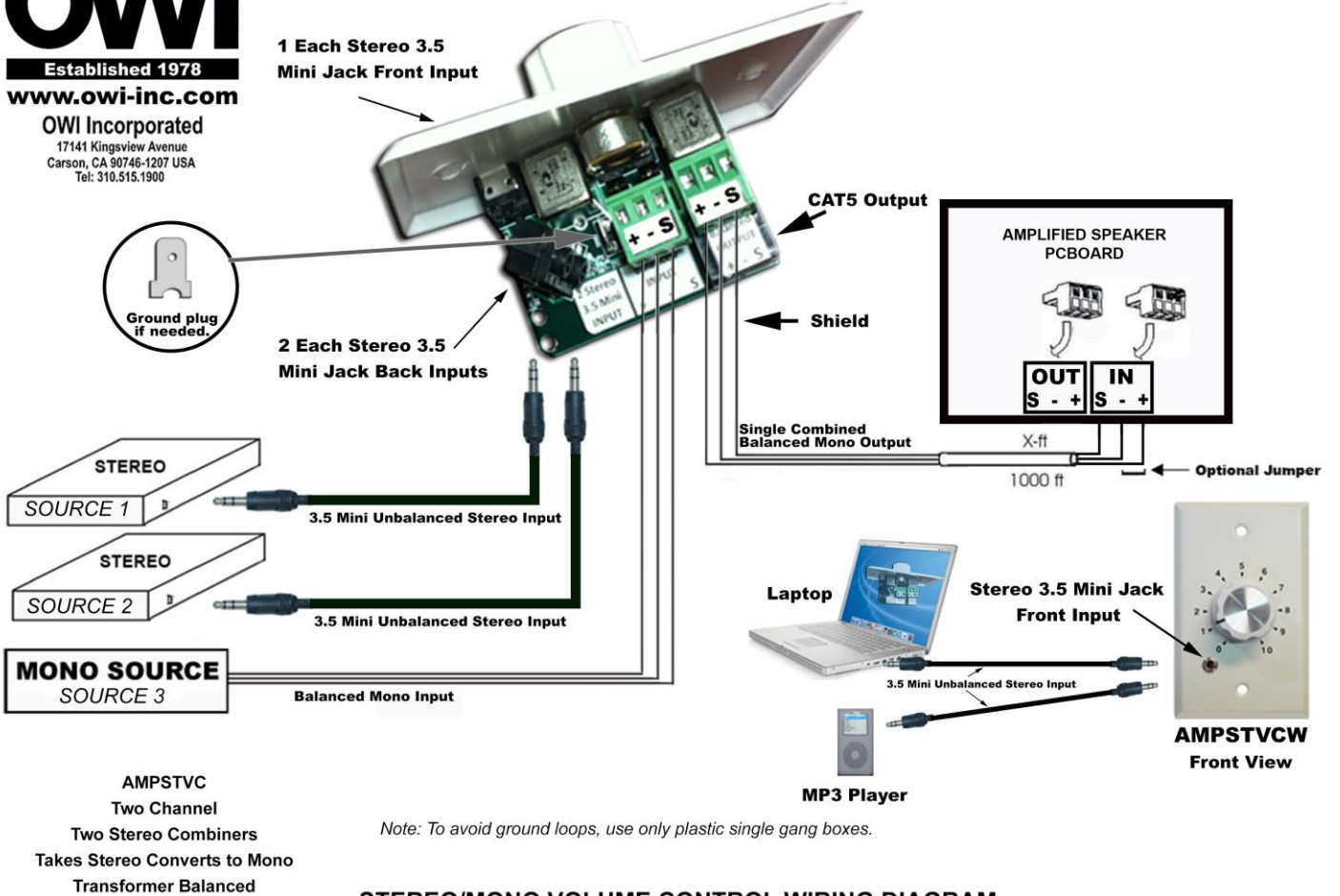
Note: Jack Line In is the same as STEREO LINE IN, immediately below.



VOLUME CONTROL WIRING DIAGRAM

OWI
 Established 1978
 www.owi-inc.com
 OWI Incorporated
 17141 Kingsview Avenue
 Carson, CA 90746-1207 USA
 Tel: 310.515.1900

MODEL AMPSTVCW
 Stereo/Mono Mixer Volume Control



STEREO/MONO VOLUME CONTROL WIRING DIAGRAM

09/17/15

SPEAKER INSTALLATION

NOTE: Installation is to be completed by a qualified electrical technician according to NEC/CEC code and applicable local codes.

Installation Instructions for Speaker Combination Model 2X2AMP-BT2S61

The 2X2AMP-BT2S61 carton includes:

1. One (1) each 2X2AMP-BT2S61 (2 Source Amplified Speaker on a 2X2 Tile and Backcan)
2. One (1) each UL Listed, Level 5 (Energy Star) Power Supply (*electrical wire not included*)
3. One (1) each User Manual

The 2X2AMP-BT2S61 Speaker Combination carton includes items 1 to 3 above plus the following:

1. 8 ohms in-ceiling speaker on a 2X2 Tile and backcan Model 2X2IC6NA
**Note: Quantity of 8 Ohms Ceiling speakers ON A 2x2 tile depends on the SKU of the 2X2AMP-BT2S61 Combination Program.*

Speaker Placement

Before installing your OWI speakers, consider the placement carefully, taking into effect the location of electrical, plumbing and other fixtures.

Placement in Ceiling

OWI speakers should be located above the primary listening area.

Mounting your OWI speakers

Determine the best area to mount your OWI speakers. It will be necessary to run your speaker wires to that location. This location must be free of obstructions, such as electrical conduits, HVAC ducts, or water lines.

Be sure that there is at least a 5 inches clearance behind the mounting surface. Make sure that no objects block the back of the speaker.

Remove the round cardboard disc from the template supplied and keep it for later use as a paint mask, if you decide to paint your speakers.

Once you have determined there are no obstructions in your desired mounting location route the speaker wires from your amplifier to your opening. Avoid routing the speaker wire near electrical wires. If you have to run them parallel, make certain to space the speaker wires at least 2 feet from the AC line. Do not nail or staple the speaker wire.

OWI SPEAKER SYSTEM LIMITED WARRANTY REGISTRATION

(Save this portion for your records)


1. Your OWI Speaker System has been thoroughly tested and inspected at the factory. It is warranted for 1 year from date of purchase.
IT IS THE OWNERS' RESPONSIBILITY TO ESTABLISH THE DATE OF PURCHASE BY ACCEPTABLE EVIDENCE AT TIME SERVICE IS SOUGHT.
2. WHAT WE WILL PAY FOR AND WHAT YOU MUST PAY FOR:
OWI INC. will repair or replace unit(s) covered by this warranty, without charge to the consumer for labor or materials. YOU ARE RESPONSIBLE FOR ANY INSTALLATION OR REMOVAL CHARGES AND FOR ANY INITIAL SHIPPING CHARGES if the unit(s) must be shipped for warranty service. However, we will pay the return shipping charges to any destination within the U.S.A. if the repairs are covered by the warranty.
3. Any unit which in the judgment of OWI Inc. is defective or develops defects under normal use will be replaced or repaired without cost within the warranty period.
4. This warranty will be considered void if unit has been dropped, misused, abused, altered in any manner, overdriven with excessive amplification exceeding manufacturer's specification, improperly serviced or accidental damage.
5. OWI Inc. shall have no liability whatsoever for consequential damage. The sole responsibility and discretion of OWI Inc. under this warranty shall be limited to the repair of the product or replacement thereof.
6. IMPORTANT: This warranty is void unless the attached card is completed and mailed to OWI Inc. within 10 days following the date of purchase. Units must be sent to OWI Inc. or to the dealer where purchased.

OWI INCORPORATED
17141 Kingsview Ave
Carson, CA 90746-1207 USA

Date Purchased: _____
Model Number: _____
Serial Number: _____

(Keep this part for your record)

-----CUT AND MAIL-----



OWI INCORPORATED
17141 Kingsview Ave
Carson, CA 90746-1207 USA

LIMITED WARRANTY

Model Number: _____
 Model Name: _____
 Serial No. _____
 Date of Purchase: Month: _____ Day ____ Year _____
 Owner's Name: _____
 Address: _____
 City: _____ State _____ Zip _____
 Dealer's Name: _____ City _____ State _____
 Purchased from (please check one):
 Video _____, Electronic _____, Mailorder _____, Mass Merchandiser _____, Installer _____
 Others (please specify) _____
 Remarks: _____



OWI Incorporated

Established 1978

OWI Incorporated

17141 Kingsview Ave. Carson CA 90746-1207 USA
Tel. 310-515-1900 Fax 310-515-1606

www.owi-inc.com