



MO-2

25-Watt Concealed-Mounting Loudspeaker

Applications

Utilize loudspeaker Model MO-2 for signal transmission in intercom/talkback, electro-acoustic warning, CB, transceiver, and public address systems in marine, vehicular, military, service, and processing facilities. Unit is ideal for concealed mounting or where minimum aerodynamic obstruction is desired. Model MO-2 is engineered to withstand demanding environmental elements as produced in mining, steel, and chemical processing, oil exploration, power generation, and railroad facilities.

General Description

Compact, double re-entrant unit with platform base is constructed of heavy-gauge, die cast aluminum to minimize potential damage caused by vibration, shock, impact, dust, wide temperature variations, high humidity, salt water, and other rigorous conditions. Its integral compression driver provides optimum efficiency and signal intelligibility. Model MO-2 also assures superior sensitivity when used as a microphone for two-way intercommunication. All exposed parts are finished in grey epoxy. Dimensions: 6"W x 8"H x 4 1/16"D. (168mm x 203mm x 106mm). Weight: 5 lbs. (2.3 kg.)

Technical Specifications

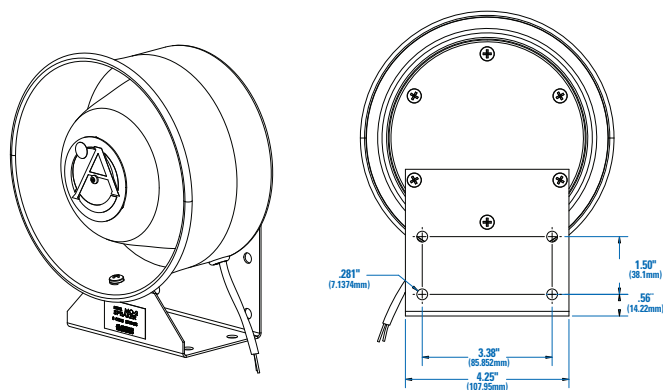
Models	MO-2
Power Rating	25 Watts
Frequency Response	550Hz – 13.5kHz (±5dB)
Sensitivity (SPL)	108dB at 1 Watt/1 meter (avg) 550Hz–13.5kHz
Dispersion Angle	85° (-6dB, 2kHz octave band)
Impedance	8Ω
Width	6 5/8" (365mm)
Height	8" (210mm)
Depth	4 3/16" (327mm)
Weight	5 lbs. (2.3kgs)
Finish	Grey baked epoxy

Architect And Engineer Specifications

Concealed-mounting loudspeaker shall be environment-resistant Atlas Sound Model MO-2 with power capability of 25 Watts. Frequency response shall be 550Hz –13.5kHz (±5dB). Sound pressure level shall be 115dB (25W/1M), 108dB (1W/1M). Dispersion angle shall be 85°. Voice coil impedance shall be 8Ω. Loudspeaker shall provide superior sensitivity when used as a microphone for two-way intercommunication. Unit shall have a platform base constructed of heavy-gauge, die cast aluminum. Construction shall be die cast aluminum with all exposed parts finished in grey baked epoxy.



MO-2

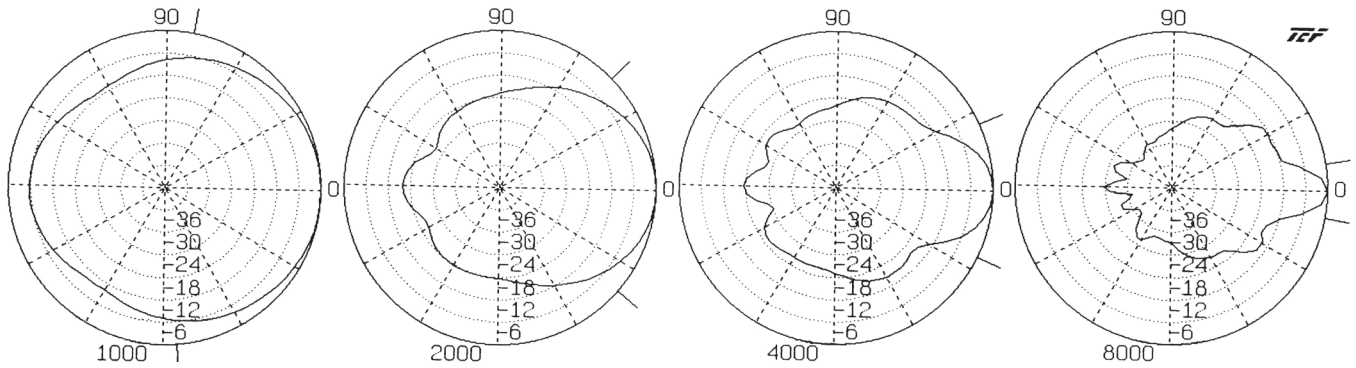


Features

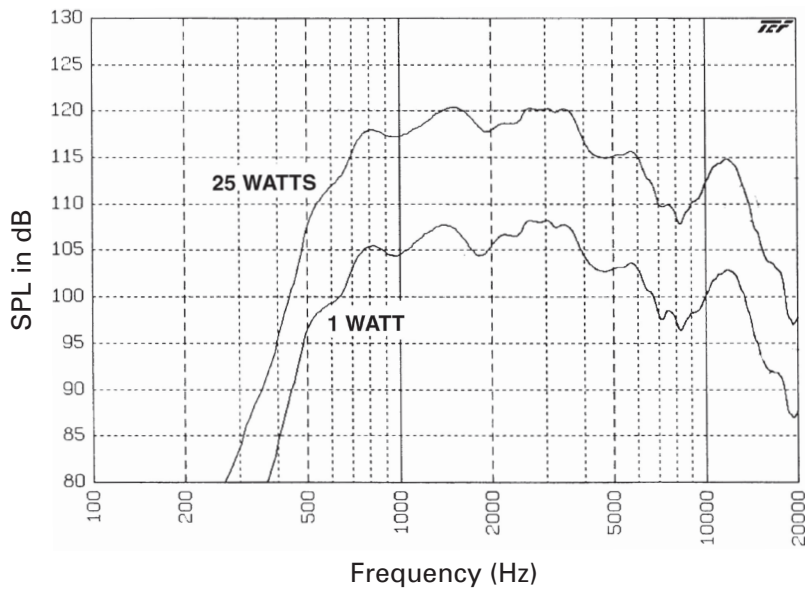
- Heavy-Duty Loudspeaker with Optimum Voice and Signal Intelligibility for Industrial, Marine, Military, and Vehicular Applications
- Impact and Environment-Resistant Construction for Dependable Indoor/Outdoor Use
- U.S.-Made Compression Driver Assures High Reliability
- Specifically Designed for Surface or Concealed Mounting

©2013 Atlas Sound L.P. All rights reserved. Atlas Sound is a trademark of Atlas Sound L.P. All other trademarks are the property of their respective owners. ATS002882 RevE 10/13

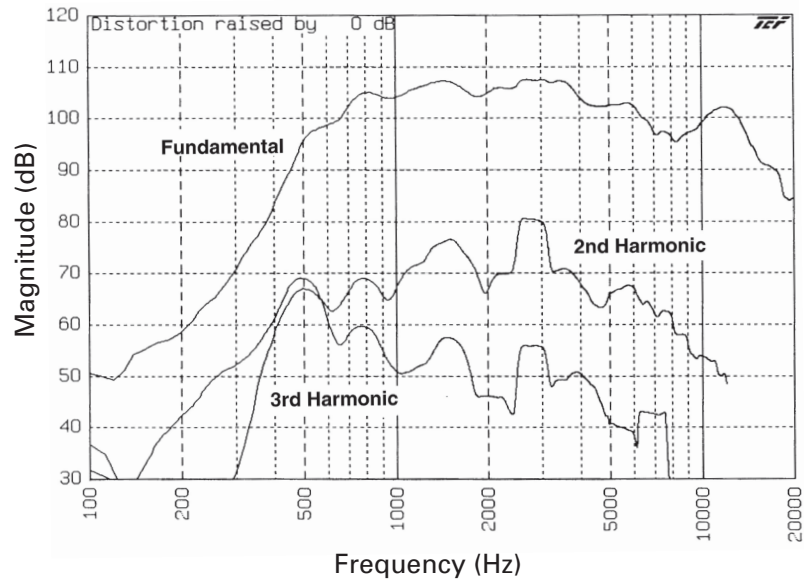
MO-2 Polars (Normalized to Zero on Axis) (-6dB)



MO-2 Frequency Response



MO-2 Harmonic Distortion



MO-2 Impedance

