

New Directions for Live Event Productions

Magnificent architectures adds excitement and allure to any live event. But it can also create acoustical problems. IC Live and IC² digitally steerable array systems use advanced digital beam steering technology to deliver impeccable sound while staying in the background visually. IC212S-R and IC212S-FR subwoofers are perfect companions to digitally steered arrays in both portable applications and fixed installations. Their dual high-power 12-inch woofers deliver outstanding low frequency impact with a high-order bandpass design that maximizes the efficiency of their cutting edge woofer technology and Class D digital amplifiers.

IC212S-R and IC212S-FR subwoofers are fully integrated into RHAON, the Renkus-Heinz Audio Operations Network, for flexible analog and digital audio signal distribution. Interlocking hardware systems assures solid, stable stacks and arrays.

Transparent Solutions

- Corporate Events
- Live Concerts
- Political Rallies
- Theatrical Productions.
- Museums: lobbies, galleries, etc.
- Resorts, Theme Parks
- Any environment where enjoyable music and/or intelligible speech are critical

POWERFUL • MUSICAL • PORTABLE

Adaptable, Articulate

The IC212S-R subwoofer was designed to provide both acoustical and structural support for IC Live arrays while the IC212S-FR is a companion to IC Live and IC² digitally steerable line arrays in fixed installations. Digital beam steering puts Iconyx Live and IC² output where it belongs: on the audience, not walls or ceilings. One-touch presets and computer software shape the line array's output and aim it up or down.

Powerful, Accurate Sub-Bass Performance

With 1700 Watts RMS of Class D power driving a pair of high-output 12-inch woofers, IC212S-R and IC212S-FR subwoofers easily produce 133 dB peak SPL. Low frequency output extends to 42 Hz, providing a solid foundation for any musical program material. The powerful 12-inch woofers feature a high efficiency neodymium magnet and a straight ribbed, carbon fiber reinforced cone .

Scalable, Versatile

One or two IC212S-R subwoofers can be added to any IC Live system where they often serve as a base for the full range digitally steered line arrays using their interlocking hardware system. IC212S-FR installation models can be floor mounted or easily suspended from built in attachment points.

RHAON Empowered

Like the full range IC Live and IC² line arrays, the IC212S-R and IC212S-FR subwoofers are equipped with RHAON. RHAON provides a full set of remote control and supervision functions, along with CobraNet multi-channel digital audio distribution.



IC212S-R IC212S-FR

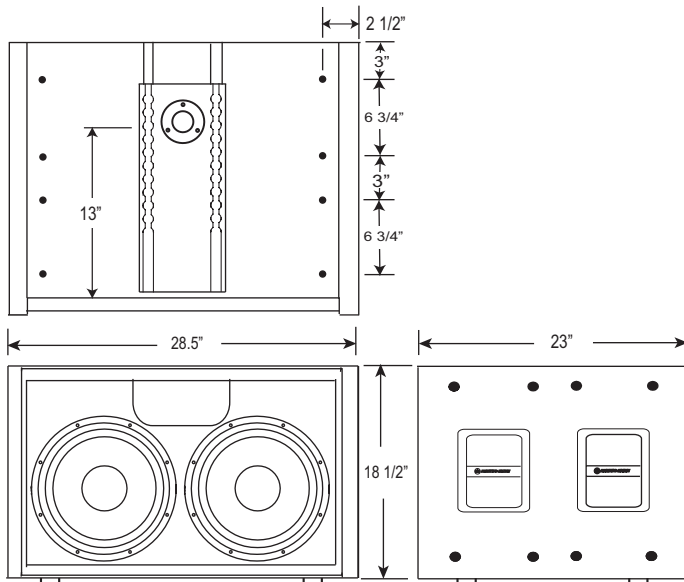
Dual 12-Inch Subwoofers



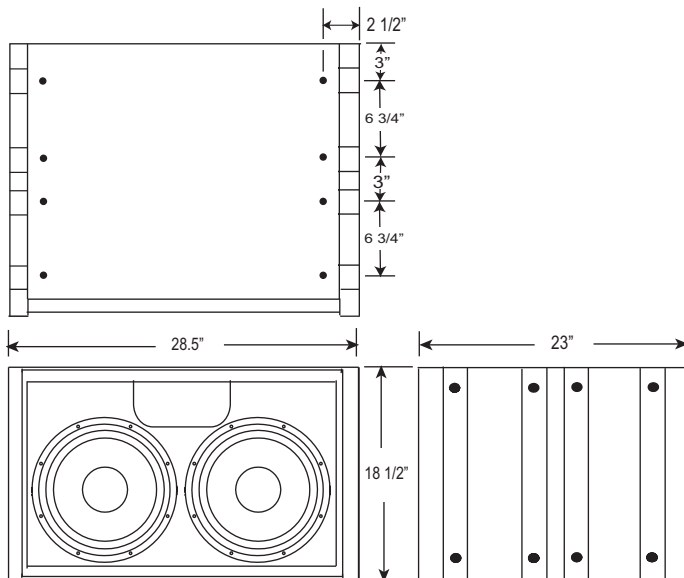
IC212S-R-ICL subwoofer

- **Powerful Dual 12" Subwoofers**
133 dB peak SPL from 42 to 120 HZ.
- **Versatile, Easy-To-Use Hardware**
Interlocking stacking/flying hardware and a pole socket allow the IC212S-R to be used as a mounting base for IC Live digitally steered line arrays and other loudspeakers.
- **Dual High-Performance 12-Inch Woofers**
With highly efficient Neodymium magnets and carbon fiber reinforced cones deliver exceptional performance.

Dimensional Drawings



IC212S-R



IC212S-FR

Technical Specs

Sensitivity: 1.4 V (for rated power output)

Freq. Range: 42 Hz to 120 Hz

Max SPL: 133 dB peak

No. Transducers: Two model SSL12-17, 12" woofers, 700 W Pgm @ 8 Ohms (each)

Dimensions: 18.5" H x 28.5" W x 23" D
(47 cm x 72.4 cm x 59 cm)

Weight: IC212S-FR: 160 Lbs (73 Kg) Net
IC212S-R: 160 Lbs (73 Kg) Net

Power Required: 90/136 V or 180/260 V AC, 50/60Hz.
13 A @ 120 V, 6.5 A at 240 V

Hardware:

IC212S-R: Aeroquip flytrack, R-H interlocking flying hardware, pole socket, handles, Metric M10 attachment points. Optional casters

IC212S-FR: 16 Metric M10 attachment points, interlocking IC² flying hardware

Enclosure: Finnish birch, perforated steel grille

Finish:

IC212S-R: Black paint

IC212S-FR: Black or custom color paint

Weather resistant (black TuffTex)

Power Connector: Powercon locking connector

Inputs: Analog audio & AES: looping XLR (female in, male out) Phoenix 6-pin (looping 3-in, 3-out), CobraNet:dual RJ45 connectors (for CAT 5 cable)

On-Board Controls: Mute button, Up & Down output level, 10 dB input pad (on Analog 1 input) Push-To-Reset circuit breaker

Computer Controls: Gain, mute, on/standby, input selection compression, 9-band parametric EQ, shelving & rolloff filters, delay

Status Indicators: Power, signal, overdrive, thermal, mute, input pad, failure

Digital Format: 16, 20 or 24 bit PCM; 48 or 96 kHz sample rate; selectable network latency

PM1L-R Amplifier: Class D amplifier/DSP processor

Power Rating: 850 W RMS

THD Distortion: < 0.05% typical

Hum & Noise: <100 dB (A weighted)

Note: All analog inputs and outputs comply with AES Standard 45-2005 on interconnecting, grounding and shielding.