

# GXL1200BP

## Cardioid Condenser Microphone

### Black Pearl Chrome Finish



**Applications:**  
Studio Recording  
Live Sound

#### Description

Packaged in a small, rugged, all-metal body, finished in lustrous black pearl chrome, the compact and durable GXL1200BP condenser microphone is known for its open, transparent sound. Its transformerless design reduces distortion and optimizes low-end response. A uniform cardioid pattern controls feedback. The GXL1200BP's small size, accuracy, and high SPL capability make it ideal for overhead miking, high hats, cymbals, and stringed instruments. Mic clip, vinyl pouch and polishing cloth included.



**CAD Audio**  
6573 Cochran Rd., Bldg. I Solon, OH 44139 U.S.A.  
Tel: (440) 349-4900 Fax: (440) 248-4904  
Sales: 800-762-9266 www.cadaudio.com

©2011 CAD Audio Part No. 47701-04-00 Aug2011

# GXL1200BP

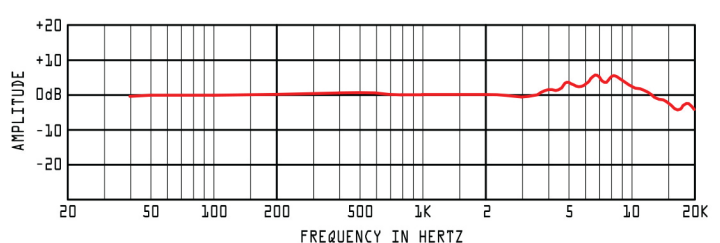
## Cardioid Condenser Microphone Black Pearl Chrome Finish

#### Specifications†

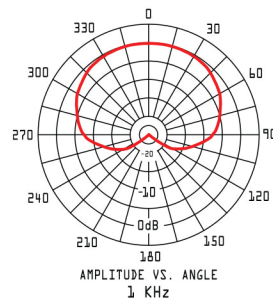
**Operating Principle** ..... Externally-Biased Condenser  
**Polar Pattern** ..... Cardioid  
**Frequency Response** ..... 30Hz -20KHz  
**Sensitivity** ..... -36dBV (16mV) @ 1 Pa  
**Impedance** ..... 100 ohms  
**Max SPL** ..... 135dB  
**Self Noise** ..... 17dBA  
**Dimensions** ..... (see drawing)  
**Power Requirements** ..... P48, 4mA  
**Weight** ..... 4.4oz [0.13Kg]  
**RoHS** ..... Compliant

†Specifications subject to change without notice.

#### Frequency Response

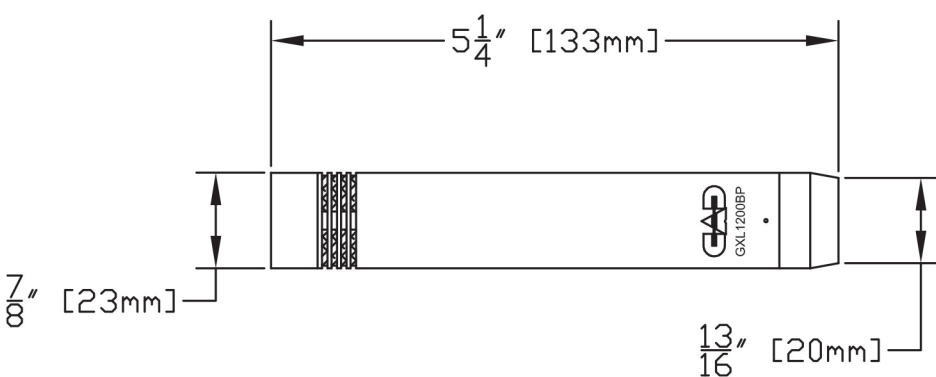


#### Polar Pattern



#### Dimensional Drawing

[not shown actual size]



#### Five-Year Limited Warranty

CAD Audio hereby warrants that this product will be free of defects in material and workmanship for a period of five years from the date of purchase. In the unlikely event that a defect occurs CAD Audio will, at its option, either repair or replace with a new unit of equal or greater value. Retain proof of purchase to validate the purchase date and return it with any warranty claim.

This warranty excludes exterior finish or appearance, damage from abuse, misuse of the product, use contrary to CAD Audio's instructions or unauthorized repair. All implied warranties, merchantability, or fitness for a particular purpose is hereby disclaimed and CAD Audio hereby disclaims liability for incidental, special or consequential damages resulting from the use or unavailability of this product.

This warranty gives you specific legal rights and you may have other rights that vary from state to state. Some states do not allow the exclusion or limitation of incidental or consequential damages or limitations on how long an implied warranty lasts, so the above exclusions and limitations may not apply to you.

Note: No other warranty, written or oral is authorized by CAD Audio.

#### Shipping Instructions

Please call our customer service department at 440-349-4900 for a pre-approved return authorization number.

Carefully repack the unit and return the insured package to: CAD Audio, 6573 Cochran Road, Building I, Solon, Ohio 44139.

**RETURNS WITHOUT A PRE-APPROVED RETURN AUTHORIZATION NUMBER WILL BE REFUSED.**

If outside the United States, contact your local dealer or distributor for warranty details.



**CAD Audio**  
6573 Cochran Rd., Bldg. I Solon, OH 44139 U.S.A.  
Tel: (440) 349-4900 Fax: (440) 248-4904  
Sales: 800-762-9266 www.cadaudio.com

©2011 CAD Audio Part No. 47701-04-00 Aug2011

