



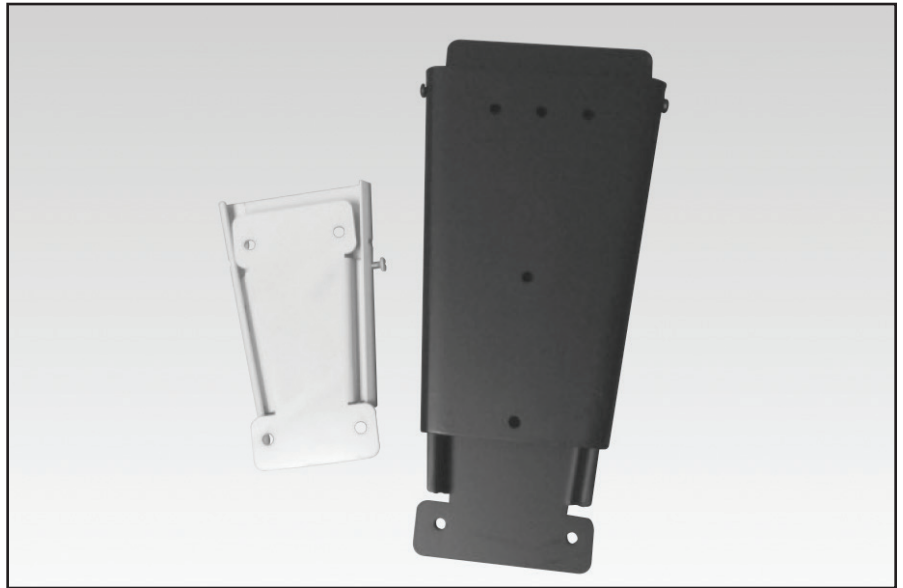
# MTC-CBT-FM1/FM2/FM3

Flush-Mount  
Wall Brackets  
for CBT Speakers

## Professional Series

### Key Features:

- ▶ Provides Low-Profile, Close-to-Wall Mounting Brackets for JBL CBT Line Array Column Speakers
- ▶ Drop-In Ease of Assembly with Set Screw(s) for Secure Installation
- ▶ ROHS-Compliant Zinc Plating for Weather Resistance
- ▶ For Mounting Speaker in Typical Vertical Orientation (not for Horizontal Orientation)
- ▶ Use one or two for a single cabinet. Use one on each cabinet for 2 cabinet arrays.
- ▶ Available in Black or White (-WH)

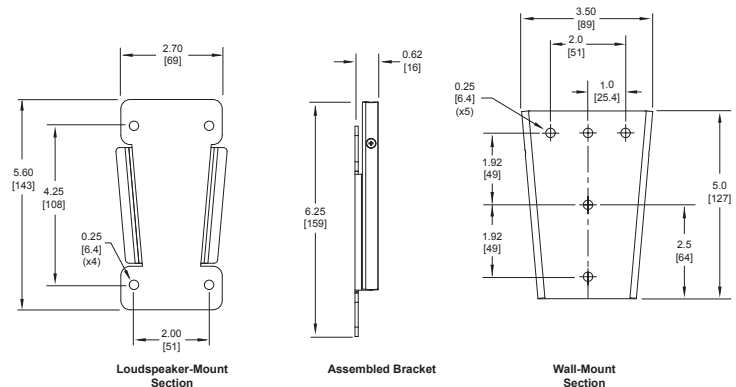


### MTC-CBT-FM1

- ▶ For Use with CBT 50LA-1, CBT 100LA-1 and CBT200LA-1.
- ▶ Loudspeaker-Mount Section of bracket attaches to the included insert points on the back panel of the speaker (using the M6x15 mm bolts, flat washers & lock washers that come with the speaker). Mounting points are at 107.6 mm x 50.8 mm (4-1/4 x 2 inch) spacing.
- ▶ Wall-Mount Section has 3 aligned holes vertically; 3 aligned holes horizontally.
- ▶ Loudspeaker-Mount Section drops easily into Wall-Mount Section. Set screw holds securely.
- ▶ 2.25 mm thick (13-Gauge AWG) Metal
- ▶ Bracket assembly spaces back of speaker within 16 mm (0.62 inches) of wall (typical).

### Dimensional Diagrams

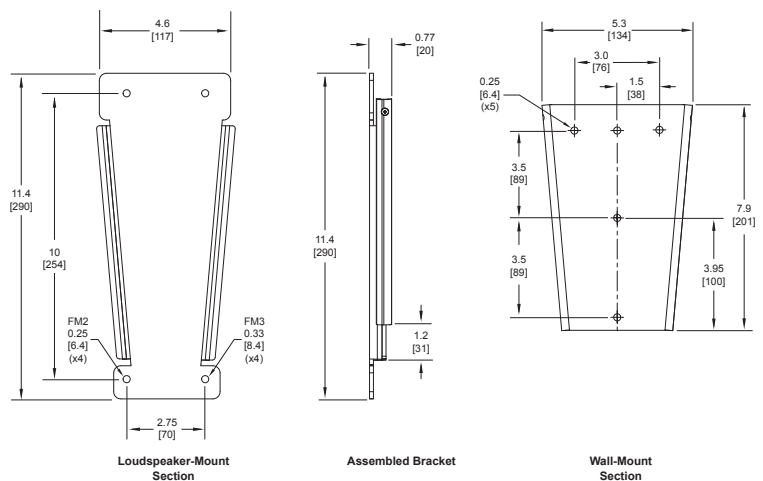
MTC-CBT-FM1 BRACKET DIMENSIONS



### MTC-CBT-FM2 and MTC-CBT-FM3

- ▶ FM2 is for use with CBT 70J-1 and CBT 70J-1/70JE-1 array.
- ▶ FM3 is for use with CBT1000 and CBT1000+1000E array.
- ▶ Loudspeaker-Mount Section of bracket attaches to the included insert points on the back panel of the speaker (using the M6x15 mm bolts on FM2, and M8x15 mm bolts for FM3 flat washers & lock washers that come with the speaker). Mounting points are at 254 mm x 70 mm (10 x 2-3/4 inch) spacing.
- ▶ Wall-Mount Section has 3 aligned holes vertically; 3 aligned holes horizontally.
- ▶ Loudspeaker-Mount Section drops easily into Wall-Mount Section. Set screw holds securely.
- ▶ 3.5 mm thick (10-Gauge AWG) Metal
- ▶ Bracket assembly spaces back of speaker within 20 mm (0.77 inches) of wall (typical).

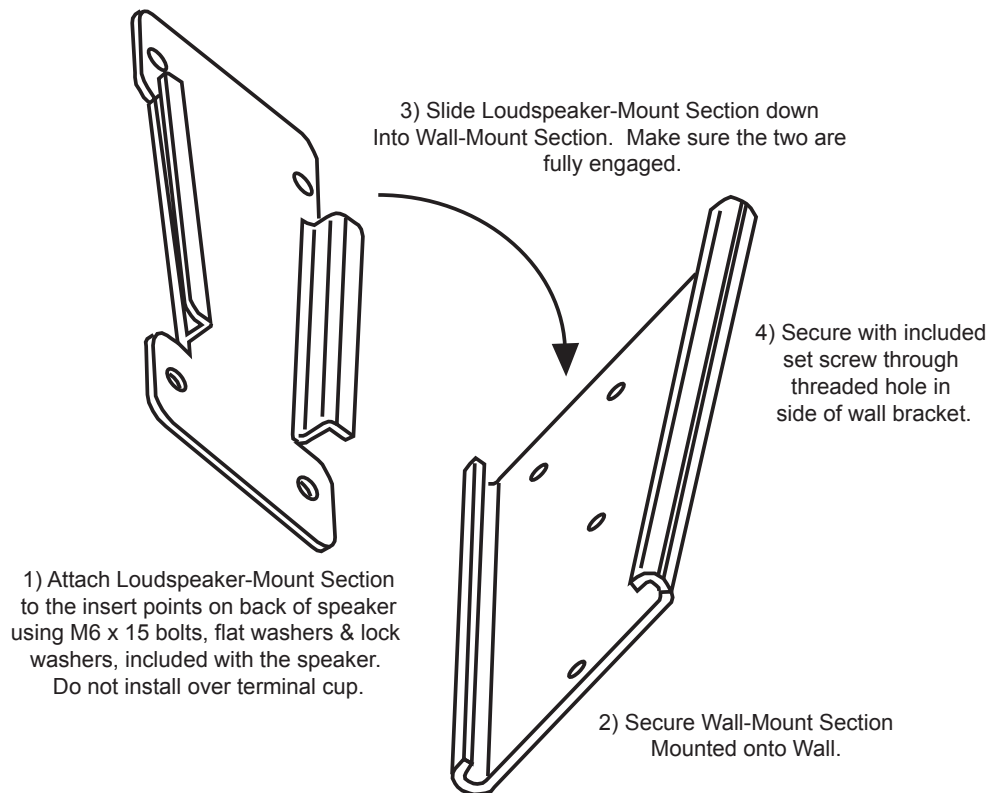
MTC-CBT-FM2 AND FM3 BRACKET DIMENSIONS



Dimensions in mm [inches]

## ► MTC-CBT-FM1/FM2/FM3 Flush-Mount Wall Brackets for CBT Speakers

### Assembly



**IMPORTANT:** Brackets **MUST** be installed by qualified personnel in accordance with safe installation practices.



JBL Professional  
8500 Balboa Boulevard, P.O. Box 2200  
Northridge, California 91329 U.S.A.

© Copyright 2016 JBL Professional  
[www.jblpro.com](http://www.jblpro.com)

SS CBT-FM  
CRP  
10/16