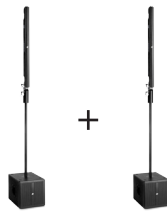


KR102 Mark I

High-tech ultra-light powered stereo system



DESCRIPTION

The KR systems are integrated, self-powered speaker systems, featuring mid-hi line array elements matched to powered subwoofers. All systems feature two channels of Class D amplification housed in the subwoofer. The rear panel provides input for 2 balanced line signals and a digital signal in AES/EBU protocol. And with the K-dante accessory, the system can be used in a Dante network.

An integrated touch screen provides intuitive managing and editing of powerful DSP controlling: Input and output levels, In/Out routing, subwoofer delay up to 12 ms, Speakon output to the mid-hi element with delay up to 12 ms, and overall system delay up to 330 ms. All DSP functions, including EQ can be controlled with remote managing software via USB or RS485, again, conveniently on a standard XLR.

The unique four-corner port configuration gives symmetrical back loading to the sub speaker for extended bass response with very low distortion. This also gives incredible structural strength to the cabinet despite its light weight. Pocket handles in the sub and an M20 thread mount position for attaching mid-high speakers, with a variety of mounting and rigging hardware options make the systems very versatile in almost any application and in every type of venue.

KR102 features a pair of KMT12 (12") subs each with 2 channels of 1,000 W matched to a Kobra loudspeaker with 16 x 2" neodymium speaker elements.

The KR102 system is designed by the K-array R&D department and custom made under the K-array quality control system.

FEATURES

- Unique performance-to-size ratio
- High power 126 dB continuous, 132 dB peak
- Fitted with integral handles
- Line array emission wavefront
- DSP on board with dedicated presets
- Ultra-fast setup and dismantling system
- Analog and digital AES-EBU inputs
- RS485 and USB connectivity for remote control

COLORS AVAILABLE

BLACK



SPECIFIC RAL CODE FOR A CUSTOMIZED PAINTED MODEL



APPLICATIONS

- Concert halls
- Theatrical sound reinforcement
- Houses of worship
- Clubs
- AV systems
- Cinema and special effects

ACCESSORIES

K-BASE2, K-FLY2, KK-CLUSTER0, KK-CLUSTER30, KK-KLUSTER60, K-FOOT2, K-JOINT2, KK-STAGE, K-WALL2L, K-WALL2, K-KCLAMP/S, K-KCLAMP, K-AMPCOVER, K-DANTE, K-SPK235, K-WIRE2, K-WIRE15

DATASHEET

Portable System KR102 I



SYSTEM COMPONENTS

2x



KMT12

2x



KK102

2x



Extendable Pole

2x



K-FOOT2

2x



K-JOINT2

KK102

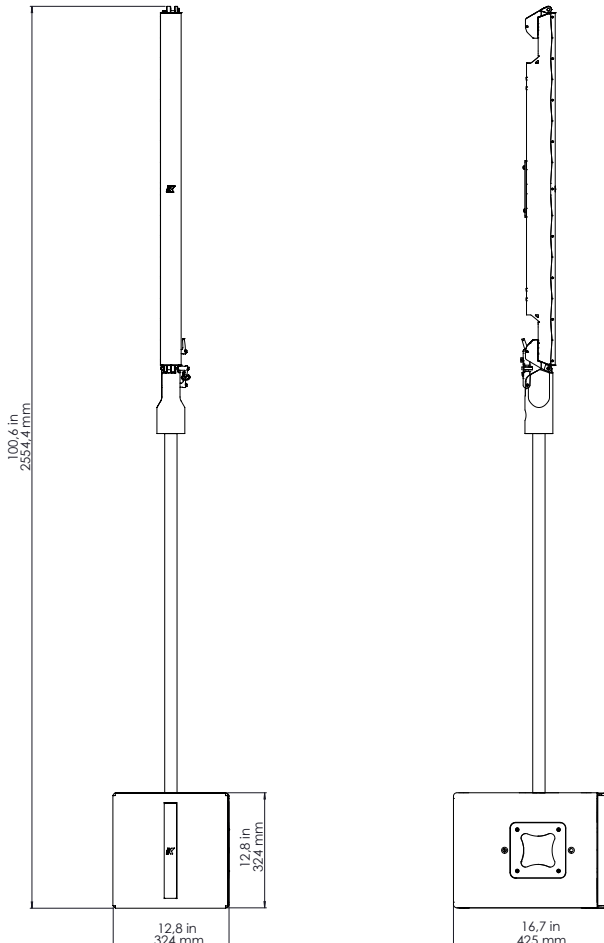
	ACOUSTICS
Power handling	400 W ^(AES)
Impedance	8Ω or 32Ω (selectable)
Frequency range	150 Hz - 20 KHz.
Maximum SPL	124 dB continuous - 130 dB peak
	COVERAGE
Horizontal	110°
Vertical	7°- 35° (selectable)
	CROSSOVER
Type	External Crossover required
Frequency	High pass @150 Hz, 24 dB/oct suggested minimum
	TRANSDUCERS
Full-range	16 x 2" Neodymium magnet with 0.75" voice coil
	POWER AUDIO INPUT
Connectors	2 x 4-pin Speakon
Wiring	1+ 1- (signal IN & LINK); 2+ 2- (through)
	SELECTION SWITCH
Vertical pattern	Spot - Flood
Impedance	8Ω - 32Ω
	PHYSICAL
Dimensions	8.1 x 100 x 5.9 cm (3.19" x 39.4" x 2.32")
Weight	4.6 Kg (10.14 lbs)

Notes for data
 New materials and design are introduced into existing products without previous notice.
 Present systems may differ in some respects from those presented in this catalogue.

KMT12

	ACOUSTICS
Power handling	700 W ^(AES)
Frequency range	40Hz - 150 Hz +/- 3dB (preset relating)
Impedance	8Ω
Maximum SPL	128 dB continuous - 134 dB peak
	COVERAGE
Horizontal	Omni
Vertical	Omni
	CROSSOVER
Type	DSP controlled
Frequency	150 Hz maximum (preset dependent)
	TRANSDUCERS
Full-range	1 x 12" Neodymium speakers with 3" voice coil
	AMPLIFIERS
Type	1 modules class D - DSP controlled
Power	2x 1000 Watt ¹ @8Ω
Protection	Dynamic limiter, over current, over temp, short circuits
	PHYSICAL
Dimensions	32.5 x 33.5 x 43.5 cm (12.91" x 13.19" x 17.13")
Weight	15.6 Kg (34.39 lbs)

Notes for data
 1. Amplifier wattage rating is based on the maximum unclipped burst sine wave RMS voltage that the amplifier will produce into the nominal load impedance. New materials and design are introduced into existing products without previous notice. Present systems may differ in some respects from those presented in this catalogue.



Each side of the system features a **Kobra KK102** mid-hi line array element, matched with a powered 12" **KMT12** subwoofer

