

Elements[®] Pole Mounting System Installation Manual



Elements® Pole Mounting System

Installation Manual

The Elements® Pole Mounting System is a simple and straightforward pole mounting solution for the Peavey® Elements Series speaker. With its customizable angle adjustment, it can support installations in a wide range of locations.

INSTALLER IS SOLELY RESPONSIBLE FOR THE FOLLOWING:

- Complying with all applicable building codes (local and/or national)
- Making sure that the Elements Pole Mounting System is appropriate for the specified install.
- Using only parts supplied by Peavey.
- Ensuring the safe installation of Pole Mounting System



CAUTION: Before attempting to suspend these speakers, consult a certified structural engineer. The speaker can fall from improper suspension, resulting in serious injury and property damage.

CUSTOMER SUPPORT

Thorough reading of the Installation manual is necessary for a successful and safe installation.

Any additional assistance can be obtained by contacting our Customer Service team toll-free at 877-732-8391 or via email at customerservice@peavey.com.

PARTS DEPARTMENT

To order replacement parts, please call us at (800) 752-7896 (toll free in the US) or 601-483-5365. The Parts Department extension is 1386. Our business hours are 8 a.m. - 5 p.m. Central Time, Monday - Friday. Hold times may be long during peak hours. If you have to wait on hold, feel free to leave a name and number and one of our Parts Sales Coordinators will contact you as soon as possible. Payment can be made via credit card, or we can ship COD to a place of business only.

TOOLS REQUIRED FOR ASSEMBLY

- Wrenches: 7/16, 9/16, 3/4 socket driver, box-end or crescent wrench
- Flathead Screw driver
- Pliers used to pull cable tie tight against pole
- Sturdy platform or ladder – for safety, be sure to have a second person to help hold the speaker during installation.

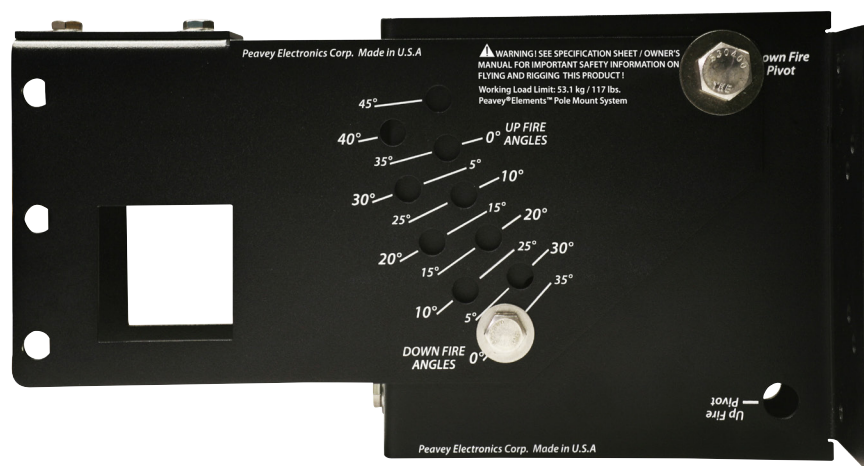
Elements® Pole Mounting System

Installation Manual

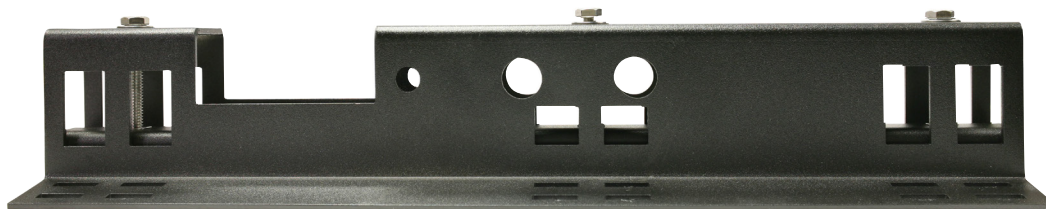
COMPONENT LIST



- Stainless steel cable straps Part number: 30903757 (x 4)
-



- Speaker Mount assembly
-



- Pole Mount assembly
-

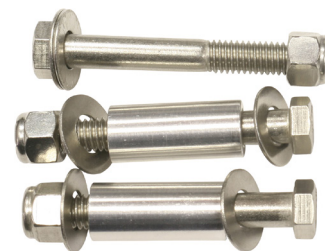


- Speaker to Speaker Mount bolts with washers

Part Numbers:

Bolt: 31502137 (x 4)

Washer: 31502132 (x 4)



- Pole Mount assembly to Speaker Mount assembly bolts

Part numbers:

Bolt: 31502138 (x 3)

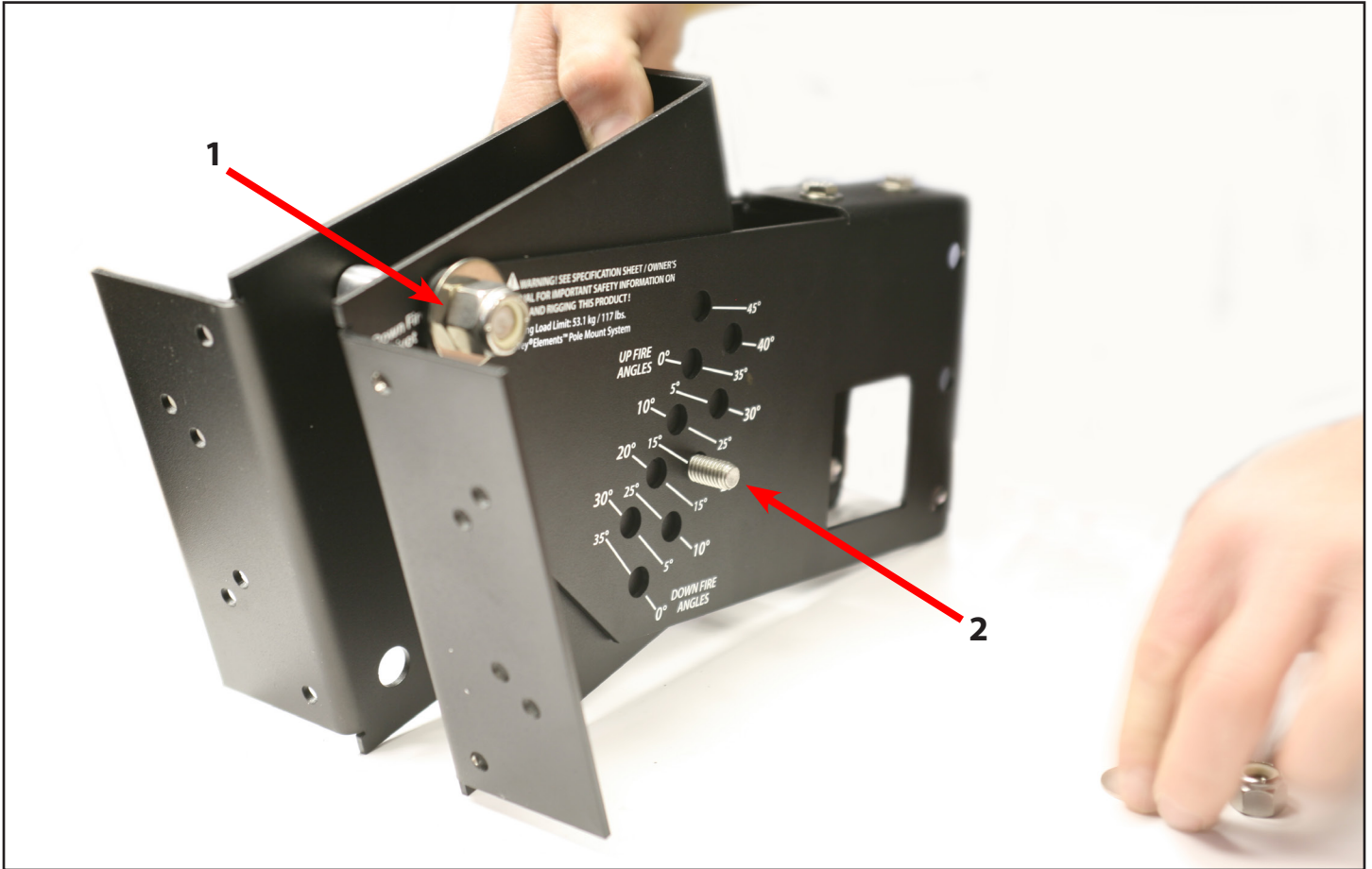
Nut: 31502134 (x 3)

Washer: 31502130 (x 6)

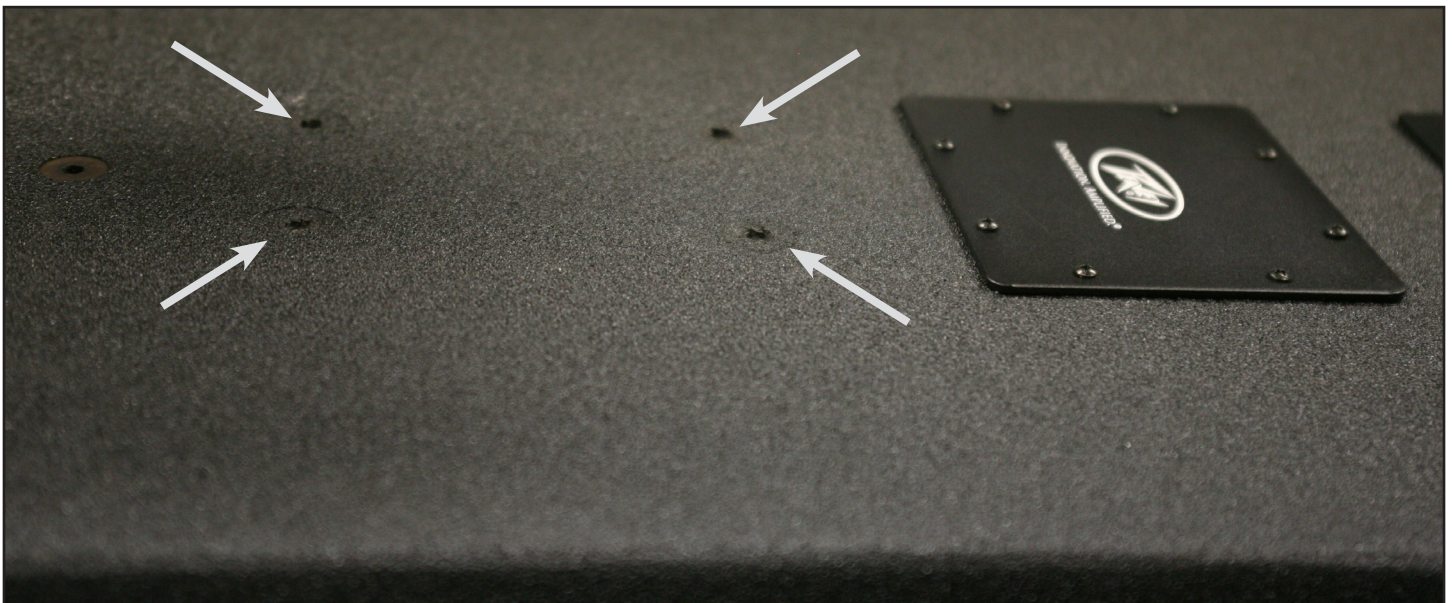
Spacers: 30908003 (x 2)

ASSEMBLY INSTRUCTIONS

1. Preset angle - Start by loosening the pivot bolt (1) and removing the angle set bolt (2). If you know the desired angle for the speaker beforehand, adjust the angle and replace the angle set bolt. Tighten the pivot bolt, while hand tightening the angle set bolt. Do not over tighten.



2. Remove bolts from the rear speaker panel.





3. Mount speaker mount to speaker
- Secure speaker mount assembly to speaker. With the four screws from the rear panel of the speaker removed, attach assembly to speaker as shown.

* Note: start with top left screw, then top right. Tighten screws, and then use your hand to align the holes at the bottom of the bracket. Place screws into bottom of the bracket. Tighten all screws.



4. Make sure the pivot bolt and angle set bolt are secure, but not overtightened. Keeping the bolts loose at this point will allow for easier adjustment of the angle once the speaker is attached to the pole.

5. Pole mount (strap tension plate) - Place stainless steel cable straps into the pole mount as shown. The steel straps should be spaced one on top, one on bottom, and two in the center.

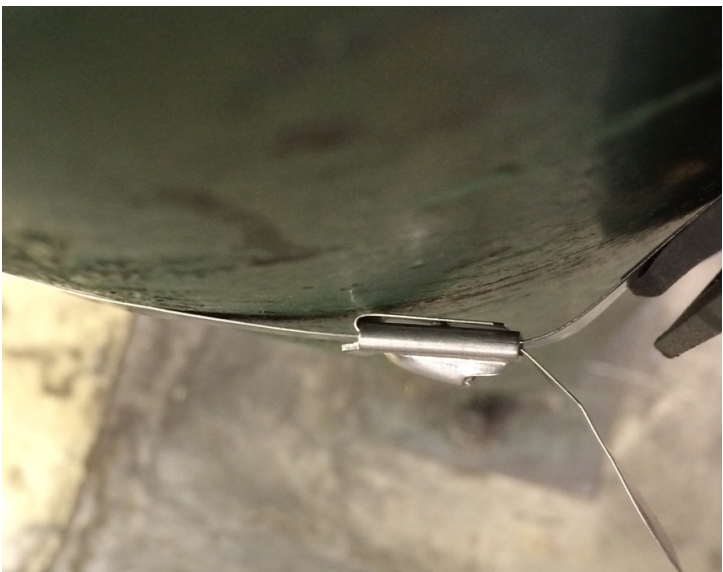


6. Aim toward target. - Once the pole mount is in its desired vertical location, and the proper horizontal alignment to properly aim the cabinet at the target area, place end of cable strap into the cable strap fastener.

The straps should be installed with the latch point (the joint where the tip of the strap tab is inserted into the slotted end of the strap) positioned firmly against the pole, opposite the pole bracket. Positioning the straps in this manner will ensure proper seating. Using a pair of pliers, secure the pole mount to the post by pulling the slack out of the straps.



CORRECT POSITIONING: Joints are placed firmly against the pole.



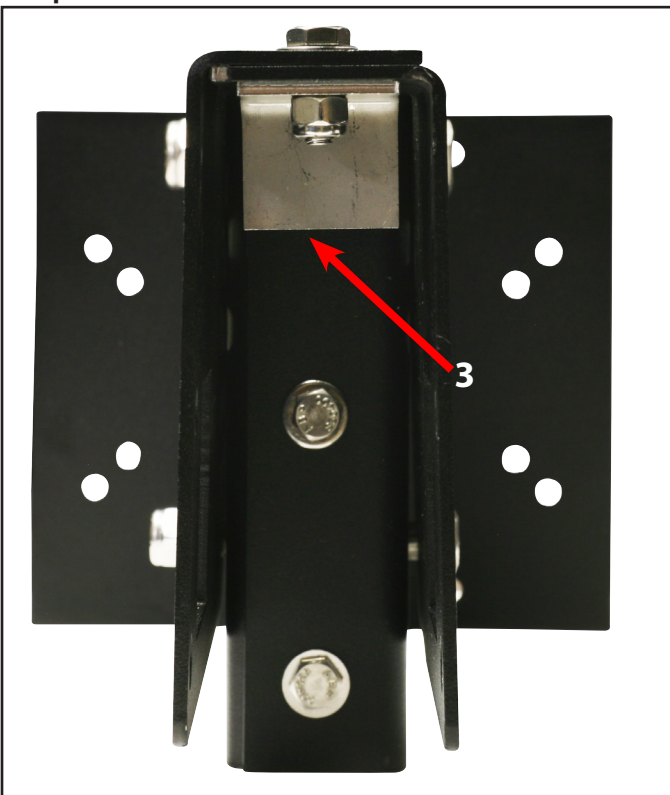
INCORRECT POSITIONING: Joints are placed in a forward position close to the pole mount. They are not placed firmly against the pole. **NOT HAVING THE JOINTS PLACED FIRMLY AGAINST THE POLE CAN CAUSE SLIPPAGE.**



7. Once the straps are secure, tighten the tensioning bolts (part number: 31502136) to ensure secure mounting.

8. The Speaker mount assembly features a lip (3) that will allow the installer to rest the speaker mount to the pole mount while being able to free his or her hands for inserting bolts.

CAUTION: This feature is a temporary, one time during installation feature **ONLY**. Before attempting to use this feature, make sure the area below the speaker is clear from bystanders for at least a 20 foot radius, and the safety rope has been engaged (safety rope is not provided). If you do not fully understand the operation of the temporary hang lip, **DO NOT ATTEMPT TO USE THIS FEATURE!** The speaker mount assembly and the pole mount assembly must be installed correctly in the specified order before using this feature. When implemented properly the **BACKSIDE** of the lip (3) must be engaging the pole mount assembly as shown in the picture below.






9. Secure pole mount to speaker mount using three bolts and nuts provided. (see picture above)



10. Tighten all screws.

Use only the correct mating hardware. All associated rigging is the responsibility of others.

 **CAUTION:** If any of the brackets or hardware have been damaged or distorted, **DO NOT USE** and **DO NOT FLY** the cabinet until they can be replaced or repaired!

SPEAKER MOUNT PARTS LIST

IN PLATE

UNT

KET SIDE ONE

CKET SIDE TWO

HOOK

VEL SIDE ONE

VEL SIDE TWO

ex head

ITEM NO.	PART NUMBER	DESCRIPTION	16"/QTY.
1	93203776	STRAP TENSION PLATE	1
2	93203775	POLE MOUNT	1
3	96105105	POLE MOUNT BRACKET SIDE ONE	1
4	96105104	POLE MOUNT BRACKET SIDE TWO	1
5	93203772	ALIGNMENT HOOK	1
6	96105102	POLE MOUNT SWIVEL SIDE ONE	1
7	96105103	POLE MOUNT SWIVEL SIDE TWO	1
8	31502137	1/4-20 X 3/4 hex head	9
9	31502131	1/2 FLAT WASHER	2
10	31502132	1/4 FLAT WASHER STAINLESS STEEL	12
11	31502134	3/8 NYLON LOCK NUT	4
12	31502133	1/4-20 NYLON LOCK NUT	5
13	31502139	1/4-20 CAGE NUT	3
14	31502136	1/4-20 X 2.25 HEX HEAD	3
15	31502140	1/2-13 NYLON NUT	1
16	31502138	3/8-16 X 2.75 HEX HEAD BOLT	4
17	31502130	3/8 FLAT WASHER	8
18	30908003	3/8 X 1.60 SPACER	2
19	31502135	1/2-13 X 2.75 HEX HEAD BOLT	1
20	30908002	1/2 X 1.45 SPACER	1

1

1

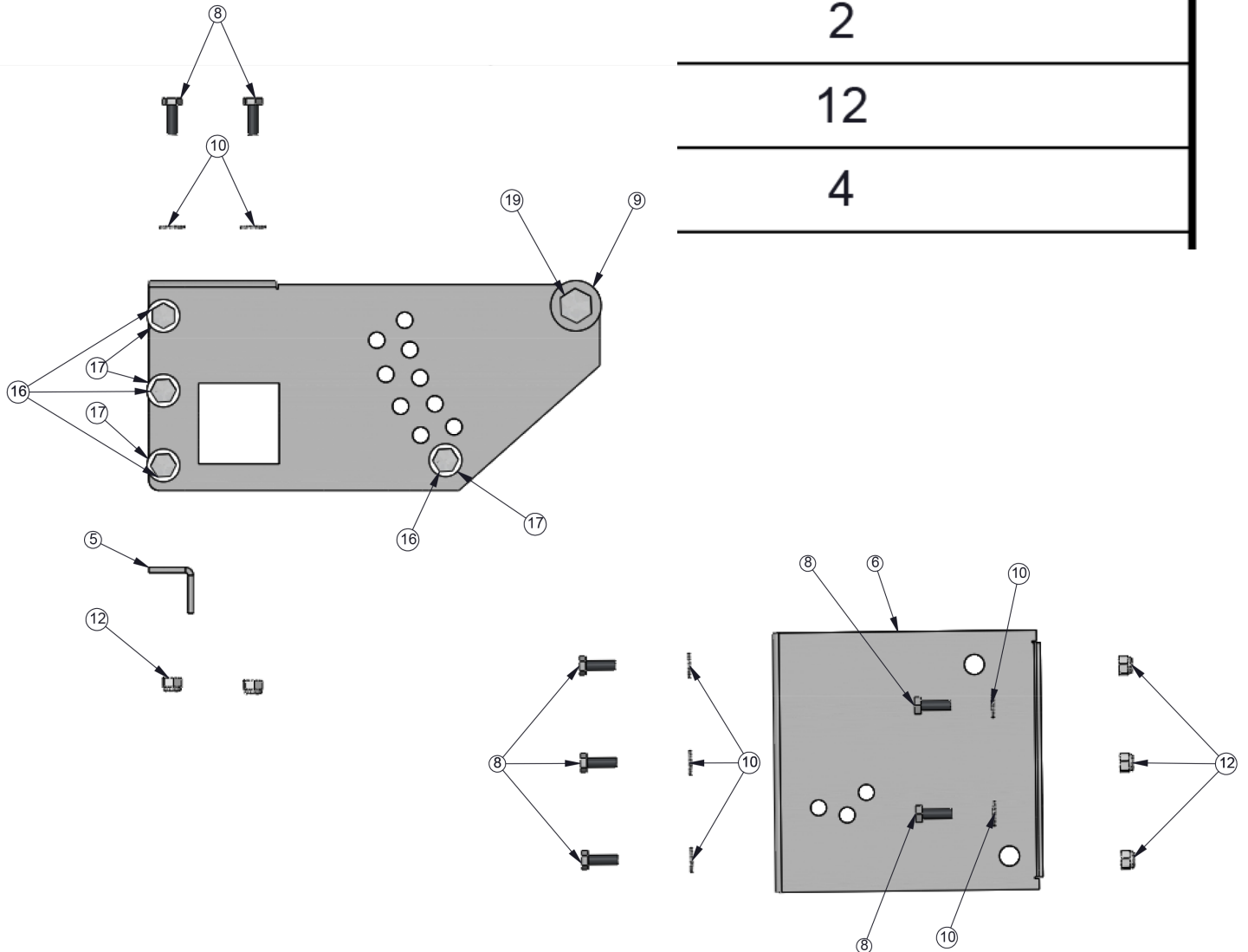
1

9

2

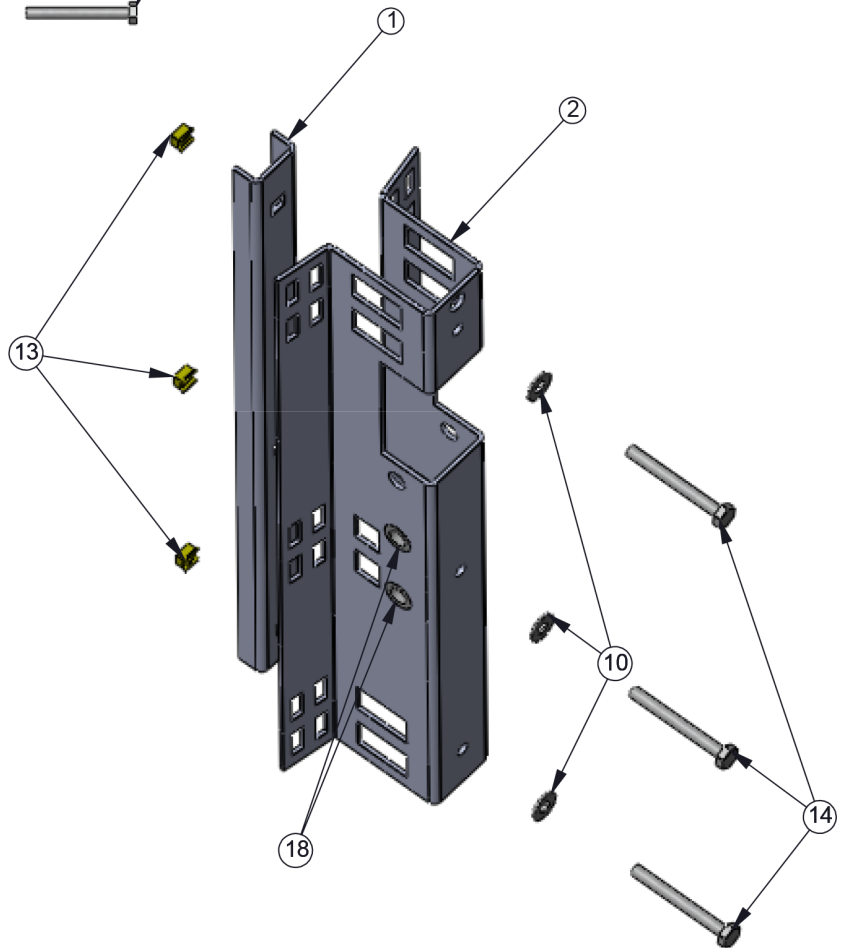
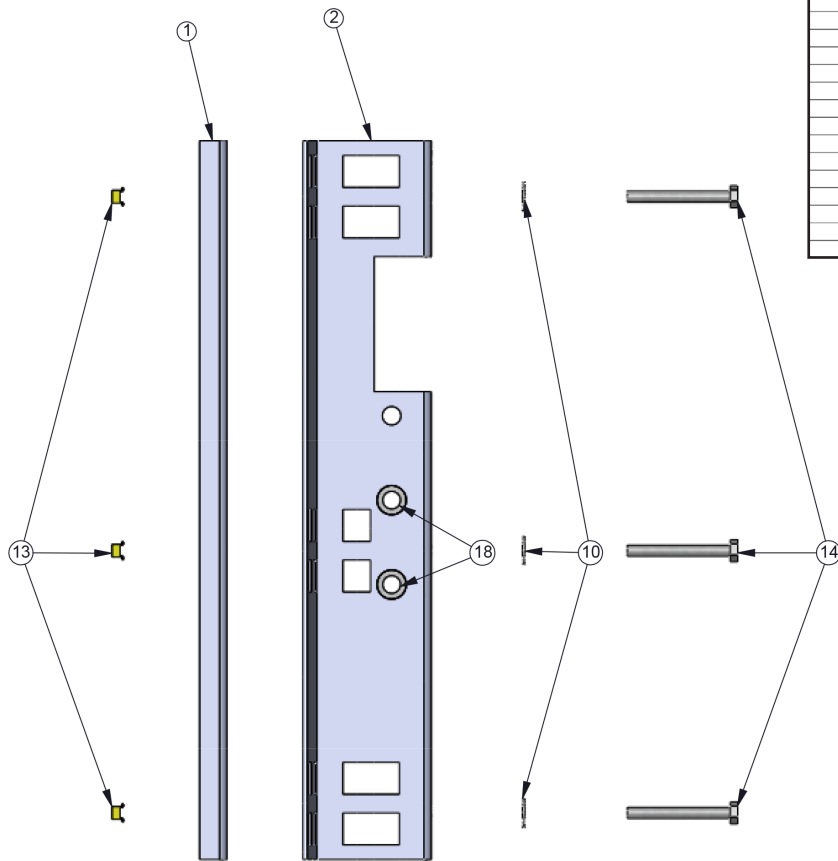
12

4



POLE MOUNT PARTS LIST

ITEM NO.	PART NUMBER	DESCRIPTION	16"QTY.
1	93203776	STRAP TENSION PLATE	1
2	93203775	POLE MOUNT	1
3	98105105	POLE MOUNT BRACKET SIDE ONE	1
4	98105104	POLE MOUNT BRACKET SIDE TWO	1
5	93203772	ALIGNMENT HOOK	1
6	98105102	POLE MOUNT SWIVEL SIDE ONE	1
7	98105103	POLE MOUNT SWIVEL SIDE TWO	1
8	31502137	1/4-20 X 3/4 hex head	9
9	31502131	1/2 FLAT WASHER	2
10	31502132	1/4 FLAT WASHER STAINLESS STEEL	12
11	31502134	3/8 NYLON LOCK NUT	4
12	31502133	1/4-20 NYLON LOCK NUT	5
13	31502139	1/4-20 CAGE NUT	3
14	31502136	1/4-20 X 2.25 HEX HEAD	3
15	31502140	1/2-13 NYLON NUT	1
16	31502138	3/8-16 X 2.75 HEX HEAD BOLT	4
17	31502130	3/8 FLAT WASHER	8
18	30908003	3/8 X 1.60 SPACER	2
19	31502135	1/2-13 X 2.75 HEX HEAD BOLT	1
20	30908002	1/2 X 1.45 SPACER	1



ELEMENTS® POLE MOUNTING SYSTEM

Specifications:

Overall Dimensions Including Hardware (HxWxD): 15.83" X 6.46" X 14.60"

Weight: 5.53 kg / 12.2 lbs. (Fully Assembled)

Material:

- 12 gauge stainless steel construction
- stainless steel hex head bolts, washers and nylon locking nuts
- stainless steel self locking bands
- machined aluminum spacers

Finish: Pole mount assembly is powder coated with a flat black paint finish

Working Load Limit: 53.1 kg / 117 lbs. (Note: Working Load Limit was calculated using the four recommended stainless steel self locking bands)

Ultimate Strength Design Factor: 10:1

Maximum angle obtained when loudspeaker is in the "Downfire" position: 45 degrees

Maximum angle obtained when loudspeaker is in the "Upfire" position: 35 degrees

Features:

- Pole mount system utilizes UV rated silk screening for easy to see adjustments
- Pole mount system includes all stainless steel hardware: bolts, washers, nylon nuts etc.
- Built in alignment system allows for quick connections of sub-assemblies
- Built in tensioning system secures the pole mount system to the pole
- Pole mount system can be adjusted horizontally or vertically to accommodate any application
- Loudspeaker can be installed to project sound in the downfire position or the upfire position
- The downfire position allows vertical adjustments in 5 degree increments ranging from 0 to 45 degrees
- The upfire position allows vertical adjustments in 5 degree increments ranging from 0 to 35 degrees
- Horizontal adjustments of 360 degrees are obtained by initial installation of the pole mount system
- Pole mount system is designed to allow for post installation re-tensioning without disassembly
- Pole mount system incorporates an option to install one 3/8" I-bolt and chain for safety



Features and specifications subject to change without notice.

Peavey Electronics Corporation • 5022 Hartley Peavey Drive • Meridian • MS • 39305

(601) 483-5365 • FAX (601) 486-1278 • www.peavey.com