

## Model No.

# SEQ-4

## Low Voltage Sequencer

Compact low voltage 4-step sequencer combines with low voltage remote power controls and switches to provide time-delayed activation and deactivation of AC powered equipment on site or in a remote location. Sequence delay is screwdriver adjustable with .5-10 seconds between steps. Sequencing is initiated by an external remote switch (order separately).

### Features

- Four delayed closure circuits activate in sequential order (1, 2, 3, 4) and deactivate in reverse order (4, 3, 2, 1).
- Compact chassis for easy installation in a remote location or on a blank 2U rack panel.
- Solid state circuitry operates using a single remotely located SPST maintained contact closure switch\* (order separately).
- LED indicators provide visual status of each control circuit as well as power verification.
- Includes auxiliary 24VDC, 300mA (max) output for remote indicators.
- Steel chassis with black finish measures 7"L x 3.281"W x 1.687"H. Includes mounting holes and operational diagram
- UL Listed power supply with activation delay of 1-3 seconds, input 100-240VAC, output 24VDC, 500mA, 6 ft. cord and four plug adaptors — NEMA 1-15 for North America (factory installed) Schuko CEE 7/16 for central Europe, BS1362 for the U.K., AS3112 for Australia/New Zealand.
- Made in U.S.A. with global components

*\*This product is designed for single maintained switch activation however, multiple momentary switches may be used if momentary switch module Model MSM2 is connected between this unit and the switches (see page 2).*



### A&E Specifications

The device for sequentially activating equipment connected to remote power controls shall be Lowell Model No. SEQ-4, which shall feature barrier strip terminals for connection to remote power control Model No. RPC- \_\_\_\_\_. Contacts shall also be available for connecting remote switches (required) for activation.

[ Applications with multiple switch actuation shall use momentary wall switch Model No. \_\_\_\_\_ or momentary rack panel switch Model No. \_\_\_\_\_. Applications with single switch actuation shall use maintained wall switch Model No. \_\_\_\_ or maintained rack panel switch Model No. \_\_\_\_\_. ]

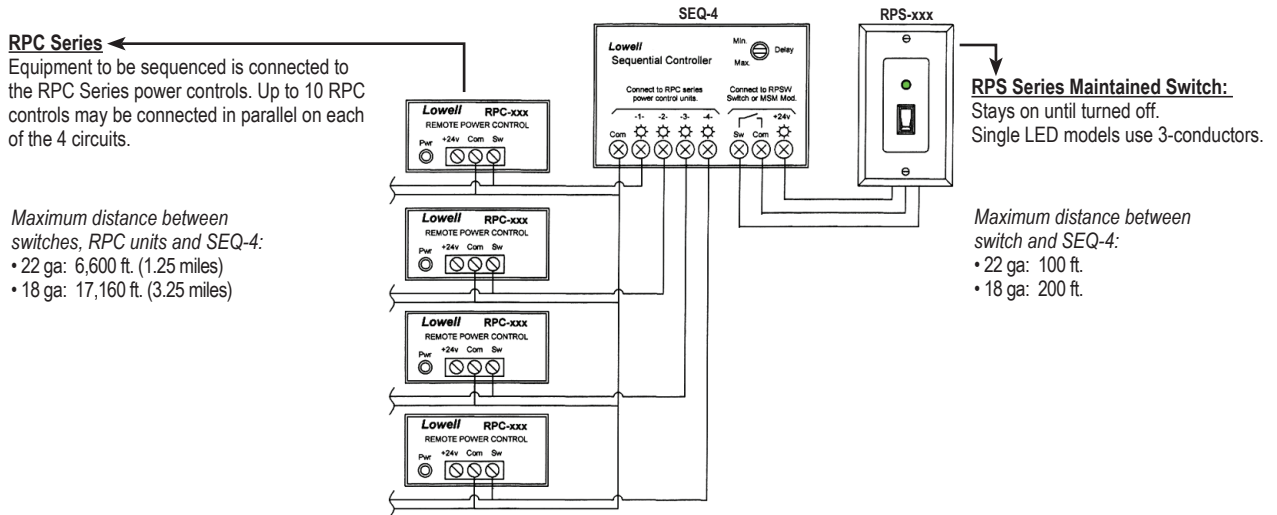
### Model Summary

Model	Description	Control Circuit Outputs* (barrier strip)	Delay (between steps)	Power Requirement	Actuation Switch-SPST** (order separately)	Power Controls (order separately)
SEQ-4	Sequencer, low voltage	4 circuits + (1) 24VDC out	0.5-10 sec.	117VAC, 60Hz, 12W	Single (maintained), multiple (momentary) + MSM2	RPC Series

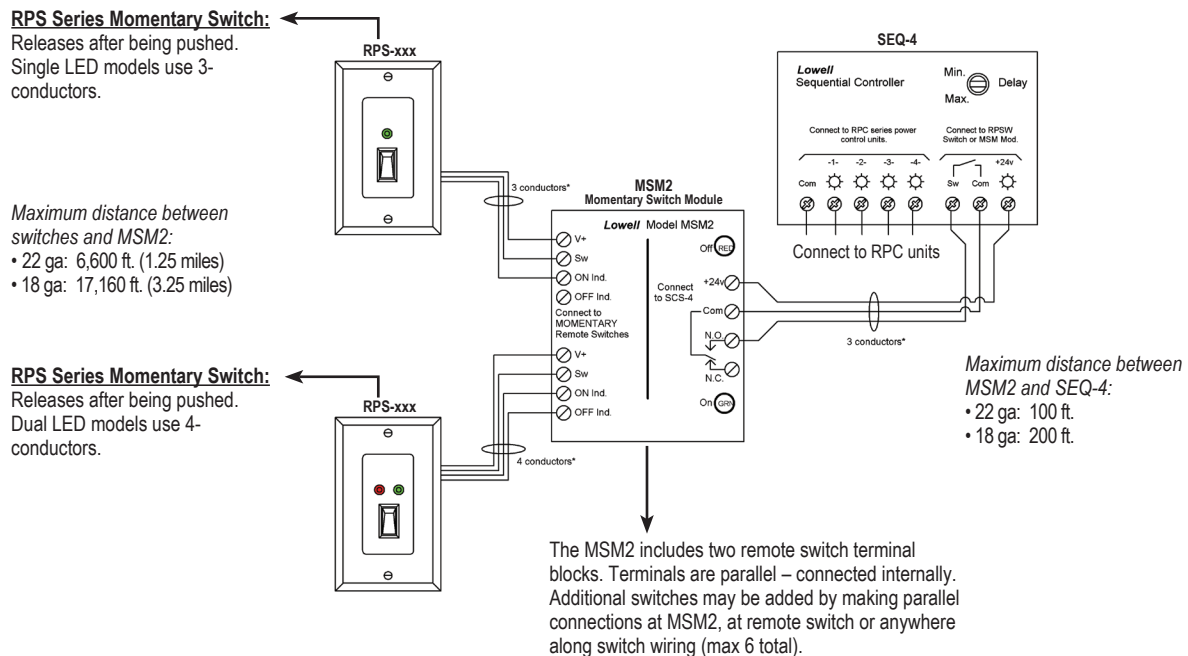
\* Each circuit controls up to ten RPC Series remote power controls. (order RPC Series separately)

\*\* External switches (maintained or momentary) are required; choose wall or rackmount style. (order switches separately)

## Typical Wiring: SINGLE Switch Connections “MAINTAINED Contact”



## Typical Wiring: MULTIPLE Switch Connections “MOMENTARY Contact”



## System Accessories (order separately)

---

### *Remote Power Controls- UL Listed*

RPC-15	Power Control 15A 1 duplex 7.5 x 3.25 x 1.75 6 ft cd
RPC-20-CD	Power Control 20A 1 duplex 7.5 x 3.25 x 2.75 6 ft cd
RPC-30-SHW	Power Control 30A 1 twistlock 7.5 x 3.25 x 2.75 6 ft conduit
RPC-20-SCD	Power Control 20A 1 duplex 7.5 x 3.25 x 2.75 surge suppression 6 ft cd

### *Remote Switches - Maintained Closure (single switch use) - keylock also available*

RPSW-P	Switch SPST rocker switch with 1 LED maintained 1 gang wall plate
RPSB-R	Switch SPST rocker switch with 1 LED maintained 1U rack panel

### *Remote Switches - Momentary Closure (multiple switch use) - keylock also available*

RPSW-MP	Switch SPST rocker switch with 1 LED momentary 1 gang wall plate
RPSW2-MP	Switch SPST rocker switch with 2 LED momentary 1 ga wall plate
RPSB-MR	Switch SPST rocker switch with 1 LED momentary 1U rack panel
RPSB2-MR	Switch SPST rocker switch with 2 LED momentary 1U rack panel

### *Momentary Switch Module (req. for SCS-4 with multiple switches)*

MSM2	Momentary Switch Module for SCS-4 with multiple switches
------	--