



Volume control #200LVC-RM includes an adhesive dial scale.



Volume control #200LVC-RMDB includes a decorator style subplate.

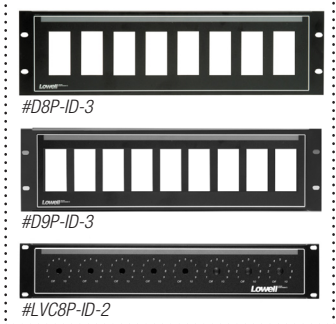
features.

- **Description:** Mono autoformer attenuator volume controls provide precise level adjustment of (70V/100V) single or multiple speaker lines. VCs in the 200LVC-RM Series are made for use with rackmount panels (order separately).
- **Power Rating:** 200W
- **Attenuation:** 3dB per step attenuation with 2 positions of 6dB before "off"
- **Control Dimensions:** 2.63" x 2.25" x 2.50" (without adhesive scale or decorator subplate)
- **Connection:** Phoenix style plug-in screw termination strips for prewire convenience.
- **Wire Capacity:** Up to 14-gauge
- **Activation:** Rotary switch
- **Third Party Certification:** ETL Listed in U.S.A. and Canada (to UL 60065)
- **Installation:** The 2.25"W controls are typically mounted in alternate holes in rackmount panels that have been punched to hold the devices (see Options). Narrower devices can then be mounted in the holes between the VCs.
 - #200LVC-RM: Traditional rackmount assembly features control unit with exposed shaft, knob and black adhesive dial scale. It can be mounted in Lowell panel #LVC8P-ID-2 or a custom panel.
 - #200LVC-RMDB: Rackmount assembly features control unit, knob and decorator style subplate. It can be mounted in Lowell panel #D8P-ID-3 or #D9P-ID-3, which have been pre-punched to accept decorator style devices.

Optional (order separately):

- **Panel #LVC8P-ID-2:** 19"W X 2U rackmount panel with Pocket-ID window for labels, accepts up to four (4) #200LVC-RM volume controls mounted in alternate positions. This allows 1.625" space between controls, which can be used for narrower devices. *Note: The adhesive dial scale can be discarded when mounted in this panel as the panel already has printed scales.*
- **Panel #D8P-ID-3:** 19"W x 3U rackmount panel with Pocket-ID window for labels, accepts up to four (4) #200LVC-RMDB volume controls mounted in alternate positions. This allows 1.625" space between controls, which can be used for narrower, decorator style devices.
- **Panel #D9P-ID-3:** 19"W x 3U rackmount panel with Pocket-ID window for labels, accepts up to five (5) #200LVC-RMDB volume controls mounted in alternate positions. This allows 1.375" space between controls, which can be used for narrower, decorator style devices.

Optional rackmount panels (order separately)



a&e specifications.

The ETL Listed 200W volume control shall be Lowell _____ (#200LVC-RM, #200LVC-RMDB). It shall feature 3dB per step attenuation with two positions of 6dB before "off." The volume control shall have plug-in termination for up to 14-gauge wire for 70V or 100V input connections (from an amplifier), and 70V or 100V output (to a speaker/transformer assembly). The VC shall include a black rotary knob and _____ (adhesive dial scale, black decorator style subplate).

Optional

- The volume controls shall be mounted in Lowell 19" x 3U rackmount panel #D8P-ID-3.
- The volume controls shall be mounted in Lowell 19" x 3U rackmount panel #D9P-ID-3.
- The volume controls shall be mounted in Lowell 19" x 2U rackmount panel #LVC8P-ID-2.

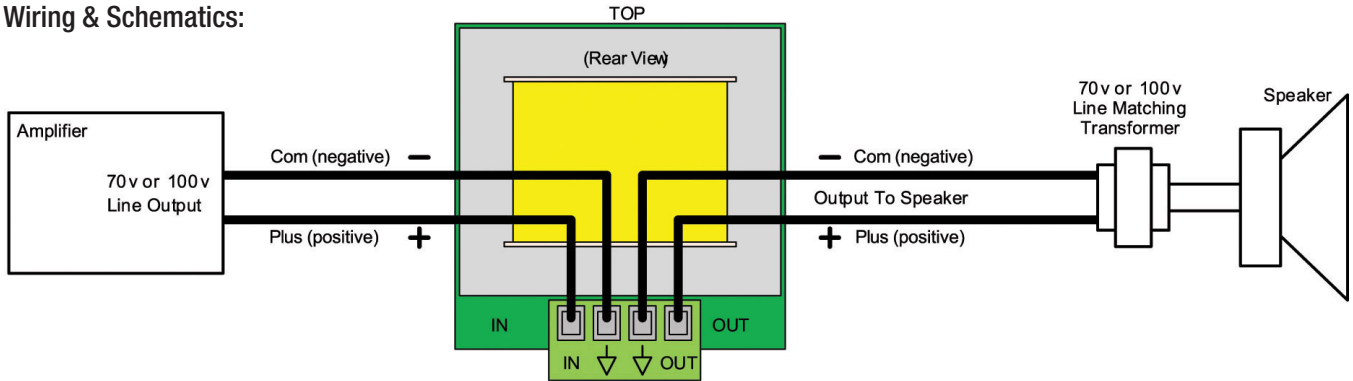
200LVC-RM series summary

Model No.	Power Rating	VC Type	Switch Style	Switch Positions	Attenuation Step / Total	Rackmount Style	Compatible Panel (order separately)
#200LVC-RM	200W	auto-trans	rotary	10-Off	3dB/33dB*	adhesive scale	#LVC8P-ID-2 or custom
#200LVC-RMDB	200W	auto-trans	rotary	10-Off	3dB/33dB*	decorator subplate	#D8P-ID-3 #D9P-ID-3

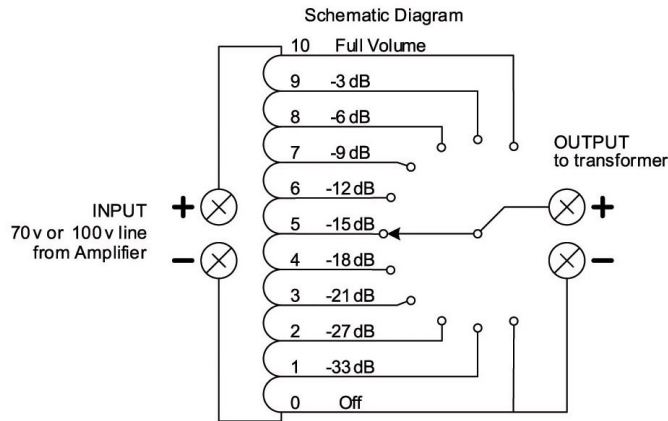
*2 steps of 6dB each before "Off"



Wiring & Schematics:



Note: Units manufactured before May 2014 had terminals located at the top. When connecting either version be sure to observe INPUT/OUTPUT and polarity designations.



VC Dimensions:

