



Volume control #150LVCS includes a standard 2-gang wall plate.



Volume control #150LVCS-DSB includes a decorator style 2-gang wall plate.



features

- **Description:** Stereo autoformer attenuator volume controls are engineered for three types of 70V/100V applications—distributed mono systems, distributed mono systems with subwoofer and distributed stereo systems. VCs in the 150LVCS wall-mount series include a two-gang stainless steel wall plate.
- **Power Rating:** 150W
- **Attenuation:** 3dB per step attenuation with two positions of 6dB before “off”
- **Connection:** Phoenix style plug-in screw termination strips for prewire convenience.
- **Wire Capacity:** Up to 14-gauge
- **Activation:** Rotary switch
- **Third Party Certification:** ETL Listed in U.S.A. and Canada (to UL 60065)
- **Installation:** Mounts in a two-gang E.O. box with minimum depth of 2.5" including mud ring (if used). Order box separately.
 - #150LVCS: Wall-mount assembly features control unit, knob and standard two-gang wall plate (stainless steel).
 - #150LVCS-DSB: Wall-mount assembly features control unit, knob and decorator style two-gang wall plate (stainless steel with black subplate).
- **Optional (order separately):**
 - **Wall Box #P1X-2:** Surface-mount, two-gang wall box (4.625" x 4.625" x 2.5") fits standard devices. Steel with white finish. Half-inch knockouts. Includes U-clips.



Side view

a&e specifications

The ETL Listed stereo autoformer attenuator volume control for distributed mono systems, distributed mono systems with subwoofer or distributed stereo applications shall be Lowell _____ (#150LVCS, #150LVCS-DSB) with power rating of 150W per channel, 3dB per step attenuation with two positions of 6dB before “off.” The volume control shall have plug-in termination for up to 14-gauge wire for 70V or 100V input connections (from an amplifier), and 70V or 100V output (to a speaker/transformer assembly). The VC shall include a black rotary knob and a two-gang _____

(standard stainless steel wall plate, decorator style stainless steel and black wall plate). The volume control shall mount in a standard two-gang E.O. box with minimum depth of 2.5" including mud ring, if used (box to be ordered separately).

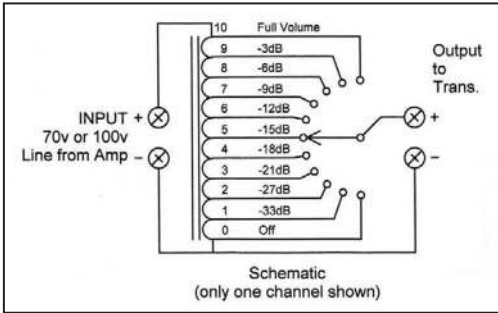
- **Optional**
 - The volume control shall include a two-gang, surface-mount wall box with white finish, half-inch knockouts and U-clips, #P1X-2.

200LVC series summary

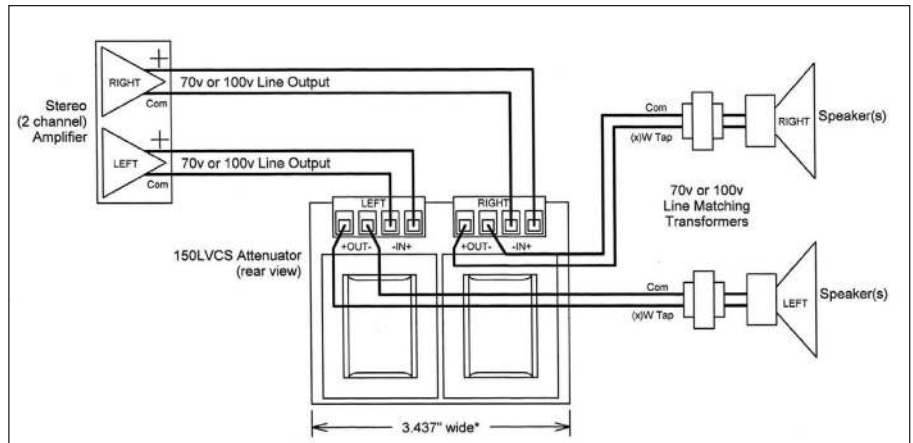
Model No.	Power Rating	VC Type	Switch Style	Switch Positions	Attenuation Step / Total	Plate Style	Plate color
#150LVCS	150W	auto-trans	rotary	10-Off	3dB/33dB*	standard 2-gang	stainless steel
#150LVCS-DSB	150W	auto-trans	rotary	10-Off	3dB/33dB*	decorator 2-gang	ss & black

*2 steps of 6dB each before “Off”

Schematic (1 channel):



Wiring:



Applications:

