

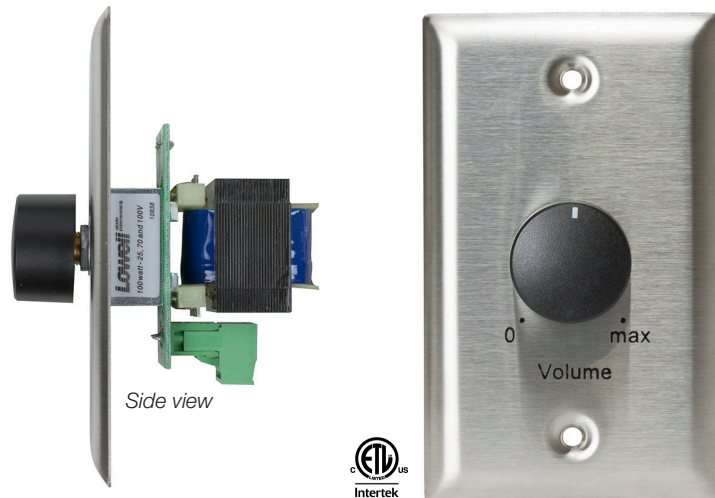
Model No.

100LVC

Volume Control

INCLUDES:

- 100W attenuator
- 1-gang standard wall plate
- Rotary knob



100W ATTENUATOR provides precise level adjustment of single or multiple speaker lines. This unit includes a standard one-gang stainless steel wall plate with black rotary knob.

FEATURES

DESCRIPTION: Mono autoformer attenuator for use with 25V/70V/100V speaker line

POWER RATING: 100W

ATTENUATION: 3dB per step (33dB total with two steps of 6dB each before off)

TERMINATION: Phoenix style plug-in screw termination strips for pre-wire convenience

WIRE CAPACITY: Up to 14-gauge

SWITCH TYPE: Rotary knob, black

SWITCH POSITIONS: Non-continuous rotation, 0-max (10)

WALL PLATE: One-gang standard wall plate, stainless steel. 2.75 in. x 4.5 in.

INSTALLATION: Designed to fit a one-gang E.O. box with minimum inside dimensions of 1.875-in.W x 2.688-in.H x 2.125-in.D (not included)

COMPLIANCE & CERTIFICATIONS:

- ETL Listed (to UL 60065, UL 2043)
- Assembled in U.S.A. (U.S. stainless steel wall plate, Chinese components)

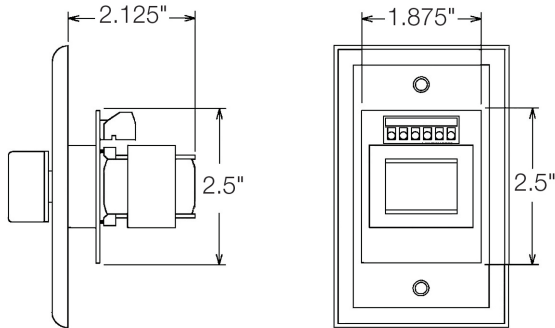
A&E SPECIFICATIONS

The mono autoformer attenuator volume control shall be Lowell model 100LVC, which shall have a 100W power rating and attenuation of 3dB per step with two steps of 6dB each before off. It shall feature a standard one-gang stainless steel wall plate (2.75 in. x 4.5 in.) with printing, and a black rotary knob with non-continuous rotation (0-max). The unit shall be able to mount in an E.O. box with minimum inside dimensions of 1.875-in.W x 2.688-in.H x 2.125-in.D (not included).

OPTIONS

P1X: One-gang surface-mount steel wall box with knockouts and white powder epoxy finish. Includes U-clips.

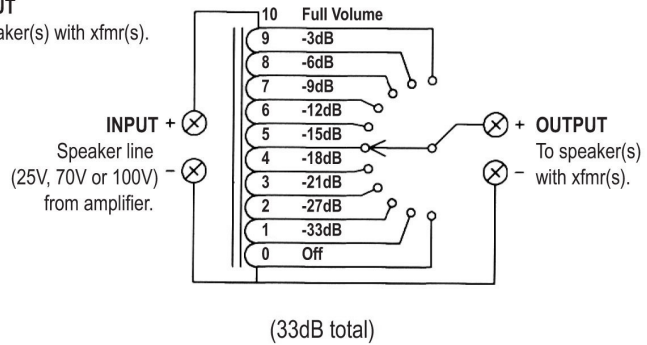
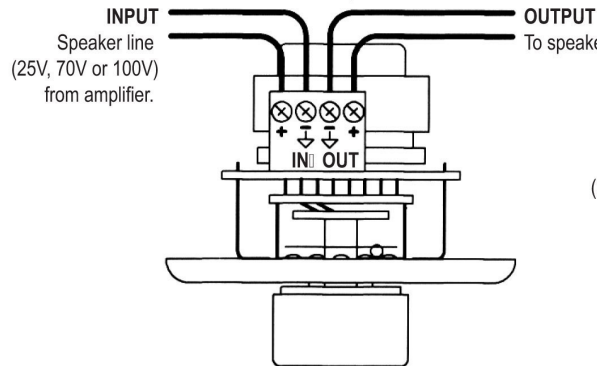
DRAWINGS



Mounts E.O. Boxes:

- Lowell surface box (P1X)
- 4" Sq. x 2.125"D with raised mud ring (RACO 232, 235, or equiv.)
- One-gang handy box 2.125"D (RACO 670, 671, 678, or equiv.)

Note: Lowell 100W LVC volume controls are deeper than other LVC models so a one-gang handy box will allow only minimal room for control and wiring.



OVERVIEW: MONO ATTENUATORS

| Model No. | Power Rating | Attenuation Steps* | VC Type | Priority Relay | Mount Type** | Plate Size | Color | Switch | Listing | For Use With |
|--------------|--------------|--------------------|------------|----------------|----------------------|------------|------------|-----------|---------|---------------------------|
| 10LVC | 10 W | 3 dB | autoformer | --- | standard wall plate | 1-gang | ss | knob | ---- | 25V/70V/100V speaker line |
| 25LVC | 25 W | 3 dB | autoformer | --- | standard wall plate | 1-gang | ss | knob | ETL | 25V/70V/100V speaker line |
| 25LVC-SA | 25 W | 3 dB | autoformer | --- | standard wall plate | 1-gang | almond | knob | ETL | 25V/70V/100V speaker line |
| 25LVC-SW | 25 W | 3 dB | autoformer | --- | standard wall plate | 1-gang | white | knob | ETL | 25V/70V/100V speaker line |
| 25LVC-DA | 25 W | 3 dB | autoformer | --- | decorator wall plate | 1-gang | almond | knob | ETL | 25V/70V/100V speaker line |
| 25LVC-DB | 25 W | 3 dB | autoformer | --- | decorator wall plate | 1-gang | black | knob | ETL | 25V/70V/100V speaker line |
| 25LVC-DW | 25 W | 3 dB | autoformer | --- | decorator wall plate | 1-gang | white | knob | ETL | 25V/70V/100V speaker line |
| 25LVC-DSB | 25 W | 3 dB | autoformer | --- | decorator wall plate | 1-gang | ss / black | knob | ETL | 25V/70V/100V speaker line |
| 25LVC-DSW | 25 W | 3 dB | autoformer | --- | decorator wall plate | 1-gang | ss / white | knob | ETL | 25V/70V/100V speaker line |
| 25LVC-RM | 25 W | 3 dB | autoformer | --- | adhesive label | --- | black | knob | ETL | 25V/70V/100V speaker line |
| 50LVC | 50 W | 3 dB | autoformer | --- | standard wall plate | 1-gang | ss | knob | ETL | 25V/70V/100V speaker line |
| 50LVC-SA | 50 W | 3 dB | autoformer | --- | standard wall plate | 1-gang | almond | knob | ETL | 25V/70V/100V speaker line |
| 50LVC-SW | 50 W | 3 dB | autoformer | --- | standard wall plate | 1-gang | white | knob | ETL | 25V/70V/100V speaker line |
| 50LVC-DA | 50 W | 3 dB | autoformer | --- | decorator wall plate | 1-gang | almond | knob | ETL | 25V/70V/100V speaker line |
| 50LVC-DB | 50 W | 3 dB | autoformer | --- | decorator wall plate | 1-gang | black | knob | ETL | 25V/70V/100V speaker line |
| 50LVC-DW | 50 W | 3 dB | autoformer | --- | decorator wall plate | 1-gang | white | knob | ETL | 25V/70V/100V speaker line |
| 50LVC-RM | 50 W | 3 dB | autoformer | --- | adhesive label | --- | black | knob | ETL | 25V/70V/100V speaker line |
| 100LVC | 100 W | 3 dB | autoformer | --- | standard wall plate | 1-gang | ss | knob | ETL | 25V/70V/100V speaker line |
| 100LVC-SA | 100 W | 3 dB | autoformer | --- | standard wall plate | 1-gang | almond | knob | ETL | 25V/70V/100V speaker line |
| 100LVC-SW | 100 W | 3 dB | autoformer | --- | standard wall plate | 1-gang | white | knob | ETL | 25V/70V/100V speaker line |
| 100LVC-DA | 100 W | 3 dB | autoformer | --- | decorator wall plate | 1-gang | almond | knob | ETL | 25V/70V/100V speaker line |
| 100LVC-DB | 100 W | 3 dB | autoformer | --- | decorator wall plate | 1-gang | black | knob | ETL | 25V/70V/100V speaker line |
| 100LVC-DW | 100 W | 3 dB | autoformer | --- | decorator wall plate | 1-gang | white | knob | ETL | 25V/70V/100V speaker line |
| 100LVC-DSB | 100 W | 3 dB | autoformer | --- | decorator wall plate | 1-gang | ss / black | knob | ETL | 25V/70V/100V speaker line |
| 100LVC-DSW | 100 W | 3 dB | autoformer | --- | decorator wall plate | 1-gang | ss / white | knob | ETL | 25V/70V/100V speaker line |
| 100LVC-RM | 100 W | 3 dB | autoformer | --- | adhesive label | --- | black | knob | ETL | 25V/70V/100V speaker line |
| 10015LVC | 100 W | 1.5 dB | autoformer | --- | standard wall plate | 1-gang | ss | knob | ETL | 25V/70V/100V speaker line |
| 10015LVC-SW | 100 W | 1.5 dB | autoformer | --- | standard wall plate | 1-gang | white | knob | ETL | 25V/70V/100V speaker line |
| 10015LVC-DB | 100 W | 1.5 dB | autoformer | --- | decorator wall plate | 1-gang | black | knob | ETL | 25V/70V/100V speaker line |
| 10015LVC-DW | 100 W | 1.5 dB | autoformer | --- | decorator wall plate | 1-gang | white | knob | ETL | 25V/70V/100V speaker line |
| 10015LVC-RM | 100 W | 1.5 dB | autoformer | --- | adhesive label | --- | black | knob | ETL | 25V/70V/100V speaker line |
| 100LVC-PA | 100 W | 3 dB | autoformer | yes | standard wall plate | 1-gang | ss | knob | ETL | 25V/70V/100V speaker line |
| 100LVC-PA-SW | 100 W | 3 dB | autoformer | yes | standard wall plate | 1-gang | white | knob | ETL | 25V/70V/100V speaker line |
| 100LVC-PA-DA | 100 W | 3 dB | autoformer | yes | decorator wall plate | 1-gang | almond | knob | ETL | 25V/70V/100V speaker line |
| 100LVC-PA-DB | 100 W | 3 dB | autoformer | yes | decorator wall plate | 1-gang | black | knob | ETL | 25V/70V/100V speaker line |
| 100LVC-PA-DW | 100 W | 3 dB | autoformer | yes | decorator wall plate | 1-gang | white | knob | ETL | 25V/70V/100V speaker line |
| 100LVC-PA-RM | 100 W | 3 dB | autoformer | yes | adhesive label | --- | black | knob | ETL | 25V/70V/100V speaker line |
| KL100-DB | 100 W | 3 dB | autoformer | --- | decorator wall plate | 1-gang | black | key | ETL | 25V/70V/100V speaker line |
| KL100-DI | 100 W | 3 dB | autoformer | --- | decorator wall plate | 1-gang | ivory | key | ETL | 25V/70V/100V speaker line |
| KL100-DW | 100 W | 3 dB | autoformer | --- | decorator wall plate | 1-gang | white | key | ETL | 25V/70V/100V speaker line |
| KL100-DSB | 100 W | 3 dB | autoformer | --- | decorator wall plate | 1-gang | ss / black | key | ETL | 25V/70V/100V speaker line |
| KL100-DSW | 100 W | 3 dB | autoformer | --- | decorator wall plate | 1-gang | ss / white | key | ETL | 25V/70V/100V speaker line |
| 200LVC | 200 W | 3 dB | autoformer | --- | standard wall plate | 2-gang | ss | knob | ETL | 70V/100V speaker line |
| 200LVC-DSB | 200 W | 3 dB | autoformer | --- | decorator wall plate | 2-gang | ss / black | knob | ETL | 70V/100V speaker line |
| 200LVC-RM | 200 W | 3 dB | autoformer | --- | adhesive label | --- | black | knob | ETL | 70V/100V speaker line |
| 200LVC-RMDB | 200 W | 3 dB | autoformer | --- | subplate | --- | black | knob | ETL | 70V/100V speaker line |
| KL100-PA-DSB | 100 W | 3 dB | autoformer | yes | decorator wall plate | 1-gang | ss / black | key | ETL | 70V/100V speaker line |
| KL100-PA-DSW | 100 W | 3 dB | autoformer | yes | decorator wall plate | 1-gang | ss / white | key | ETL | 70V/100V speaker line |
| KL200-DSB | 200W | 3 dB | autoformer | --- | decorator wall plate | 2-gang | ss / black | key | ETL | 70V/100V speaker line |
| SVC100-PA-DW | 100W | 3 dB | autoformer | yes | decorator wall plate | 1-gang | white | slide-bar | ETL | 70V/100V speaker line |

THIS SPEC

* Note: Models with 33dB total have 2 steps of 6dB each before off.

** Adhesive labels are used in rackmount panels or custom applications.

ss = stainless steel