



Volume control #KL200-DSB includes a decorator style 2-gang wall plate and key switch.

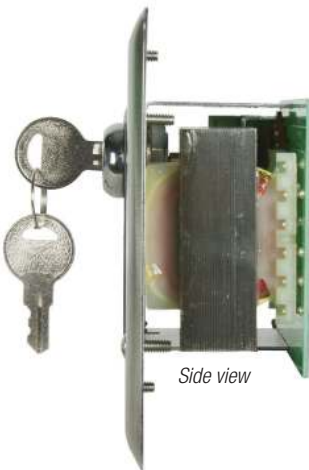


features

- **Description:** Mono autoformer attenuator volume control with key switch allows precise level adjustment of (70V/100V) single or multiple speaker lines. Includes a two-gang stainless steel wall plate with black subplate.
- **Power Rating:** 200W
- **Attenuation:** 3dB per step attenuation with two positions of 6dB before “off”
- **Connection:** Phoenix style plug-in screw termination strips for prewire convenience.
- **Wire Capacity:** Up to 14-gauge
- **Activation:** Key switch with volume positions 10-Off
- **Third Party Certification:** ETL Listed in U.S.A. and Canada (to UL 60065)
- **Origin:** Made in the U.S.A. with global components
- **Installation:** Mounts in a two-gang E.O. box with minimum depth of 2.125". Order box separately.
 - #KL200-DSB: Wall-mount assembly features control unit, key switch and decorator style two-gang wall plate (stainless steel with black subplate).

• Optional (order separately):

- **Wall Box #P1X-2:** Surface-mount, two-gang wall box (4.625" x 4.625" x 2.5") fits standard devices. Steel with white finish. Half-inch knockouts. Includes U-clips.



Side view

a&e specifications

The ETL Listed 200W mono autoformer attenuator volume control shall be Lowell #KL200-DSB. It shall feature 3dB per step attenuation with two positions of 6dB before “off.” The volume control shall feature phoenix style plug-in termination strips for pre-wire with up to 14-gauge wire capacity. The VC shall include a two-gang decorator style stainless steel and black wall plate. Volume adjustment shall be controlled by a key switch. The unit shall mount in a standard two-gang E.O. box with minimum depth of 2.125" (box to be ordered separately).

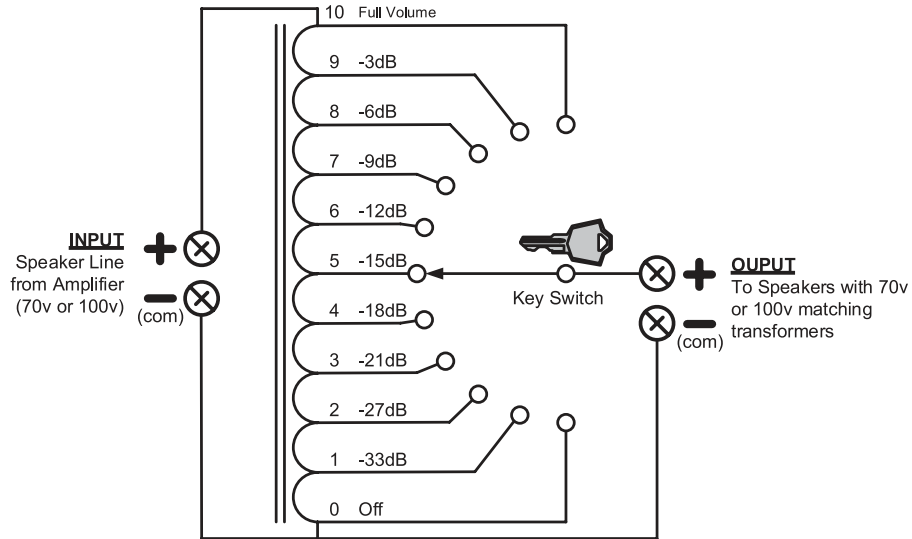
• Optional

- The volume control shall include a two-gang, surface-mount wall box with white finish, half-inch knockouts and U-clips, #P1X-2.

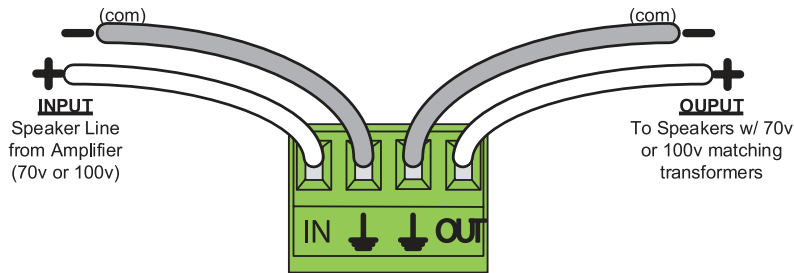
Summary

Model No.	Power Rating	VC Type	Switch Style	Switch Positions	Attenuation Step / Total	Plate Style	Plate color
#KL200-DSB	200W	auto-trans	key	10-Off	3dB/33dB*	decorator 2-gang	ss & black

*2 steps of 6dB each before “Off”



Schematic



Terminal Hook-up