



Model No. **SVC100-PA-DW** Volume Control with Slide Bar

Easy-install volume control with one-gang wall plate provides precise level adjustment of single or multiple speaker lines. Includes priority relay (24VDC@15mA) for emergency signal bypass.

Features

- 100W power rating
- 3dB per step attenuation (6dB per step attenuation for last two steps before OFF).
- Priority relay (24VDC@15mA) for applications requiring capability to override volume control with an emergency page or signal.
- Easy-connect, phoenix style plug-in screw termination strips for pre-wire convenience.
- Wire capacity up to 14-gauge
- One-gang decorator style wall plate
- Overall measurements 2.75 x 4.5 x 2.375 in.
- Fits standard E.O. box with minimum depth of 2.375 in.
- Slide bar switch is ADA (Americans with Disabilities Act) compliant, with required activation force less than 5 lbf (ft. pounds). See ADA Accessibility Guidelines, Sec. 4.27.4 online at www.access-board.gov



A&E Specifications

The ADA compliant volume control with slide bar shall be Lowell Model SVC100-PA-DW. It shall feature 100W power rating, 3dB per step attenuation (6dB per step in last two positions before off), and 24VDC@15mA relay for emergency/paging signals to bypass/override the attenuator. It shall include a decorator style one-gang wall plate with white finish. The device shall be designed to fit an E.O. box with minimum inside dimensions of 1.875"W x 2.688"H x 2.375"D.

Optional

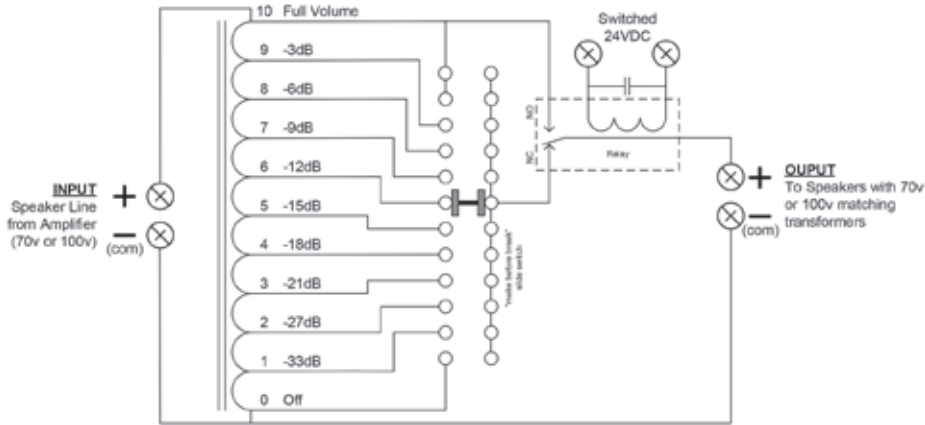
- **Model P1X:** One-gang steel surface box with knockouts. White finish. 4.625"H x 2.875"W x 2.5"D. Includes U-clips.
- **Model D8P-ID-3:** 3U x 19"W steel panel mounts up to 8 volume controls (device spacing 2 inches). Includes rear lacing flange for wire management and plastic window for labeling.
- **Model D9P-ID-3:** 3U x 19"W steel panel mounts up to 9 volume controls (standard spacing 1.812 inches). Includes rear lacing flange for wire management and plastic window for labeling.

Model Summary

Model No.	Power Rating	Type	Switch	Switch Positions	Attenuation Step *	Plate Style	Plate Finish	Third Party Listing
SVC100-PA-DW	100W	Priority-trans	Slide Bar	10-off	3dB	Decorator	White	-----

* NOTE: The 2 steps before OFF are 6dB each.

Wiring & Schematics



Schematic

