

Side view

Volume control with wall plate and a key lock secures volume settings. The control allows precise level adjustment of (single or multiple) speaker lines.

FEATURES:

- Mono autoformer attenuator with key switch for use with 25V/70V/100V speaker line
- 100W power rating
- 3dB per step attenuation (33dB total, two steps of 6dB each before off)
- Key switch — Off-max (10)
- Phoenix style plug-in screw termination strips for pre-wire convenience
- Wire capacity to 14 gauge
- One-gang decorator-style wall plate (stainless steel and white, 2.75" x 4.5"), with printing
- Designed to fit a standard one-gang E.O. box with minimum depth of 2.125" (box not included)
- ETL Listed
- Assembled in the U.S.A. with global components

A&E SPECIFICATIONS:

The volume control with wall plate and key switch shall be Lowell model KL100-DSW with 100W power rating, 3dB per step attenuation with two steps of 6dB each before off, and switch positions Off-max (10). It shall feature phoenix style plug-in screw termination strips for pre-wire with capacity up to 14-gauge. It shall include a one-gang decorator style wall plate (stainless steel and white). Volume adjustment shall be controlled by a key lock.

OPTIONS: (order separately)

- KL-ANP2 Adaptor Plate: Two-gang stainless steel wall plate will retrofit a one-gang volume control to fit a two-gang box.
- P1X Surface-mount Box: One-gang steel box with white powder epoxy finish.
- D8P-ID-3 Rack Panel: 19" x 3U panel holds up to eight decorator style volume controls (mounting the subplate only, the outer wall plate is not used). Panel features a rear lacing flange and pocket-style window to hold a paper label.

KL100 Series Attenuator Summary†

Model No.	Power Rating	Attenuation *	Type	Switch	Style	Color	For Use With
KL100-DB	100W	3dB steps	Auto-trans	Key	Decorator Wall Plate	Black	25V/70V/100V Speaker Line
KL100-DI	100W	3dB steps	Auto-trans	Key	Decorator Wall Plate	Ivory	25V/70V/100V Speaker Line
KL100-DW	100W	3dB steps	Auto-trans	Key	Decorator Wall Plate	White	25V/70V/100V Speaker Line
KL100-DSB	100W	3dB steps	Auto-trans	Key	Decorator Wall Plate	SS & Black	25V/70V/100V Speaker Line
KL100-DSW	100W	3dB steps	Auto-trans	Key	Decorator Wall Plate	SS & White	25V/70V/100V Speaker Line

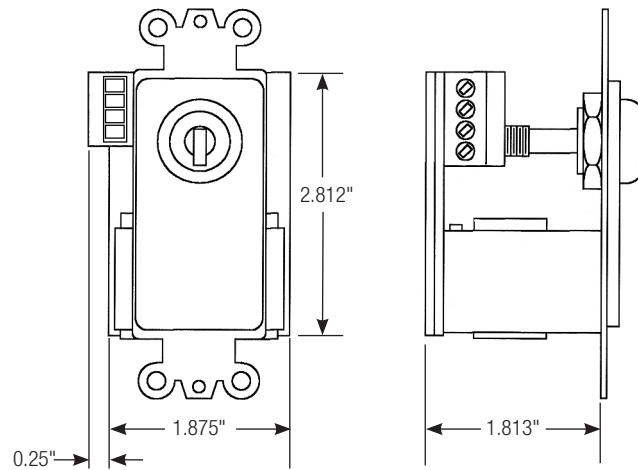
This spec

† Note: There is also a KL100-PA Series, which includes a priority relay (emergency bypass)

* 33dB total; two steps of 6dB each before off



KL100 Series volume controls are designed to mount to most standard recessed E.O. boxes with minimum opening of 2.50"W x 2.812"H x 2.125"D, or Lowell one-gang surface-mount box model P1X.



Wiring & Schematics: KL100 Series volume controls (without priority paging feature).

