

DESCRIPTION

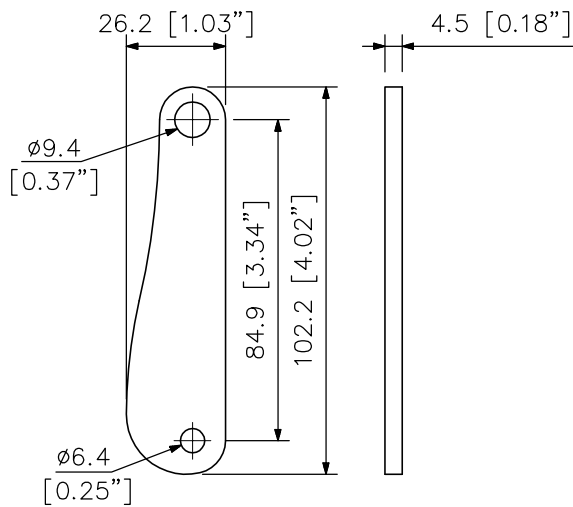
By using three HY-60DB-WP brackets, the directivity angle mode of the HX-7B-WP can be changed to 60° mode. It is also possible to change the directivity angle mode to 15° mode, 30° mode, or 45° mode. This bracket is designed for outdoor use.

SPECIFICATIONS

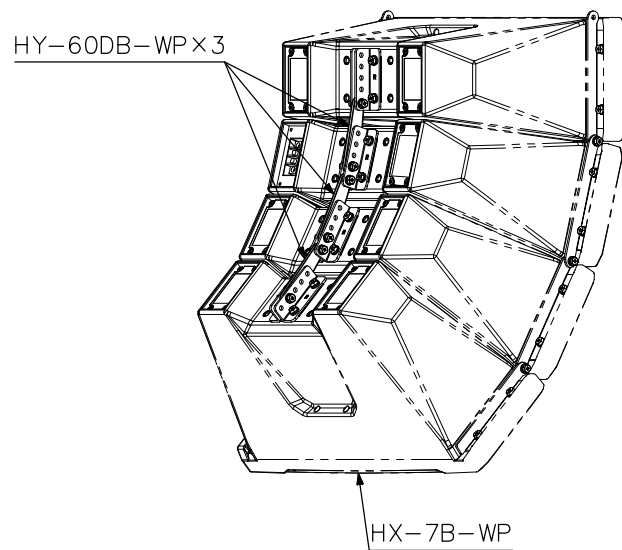
Finish	Stainless steel, black, semi-gloss, paint
Weight	70 g (0.15 lb)

Note: Every speaker module must be aimed horizontally or down to keep the weather resistant capability.

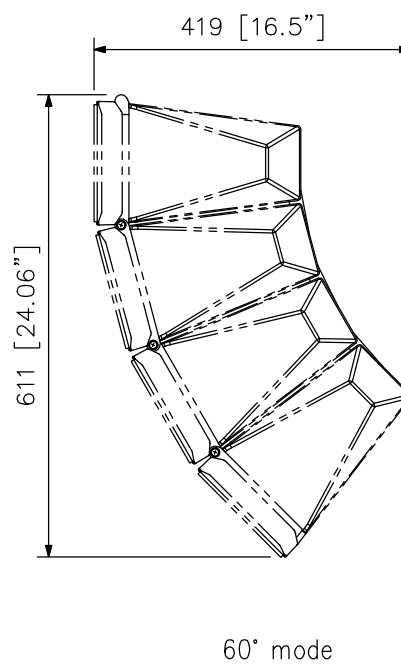
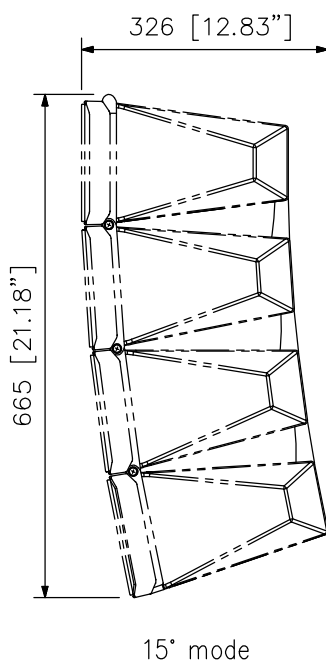
APPEARANCE



Mounting example (scale: 1/10)



Example for directivity angle modes (scale: 1/10)



UNIT: mm SCALE: 1/2

DESCRIPTION

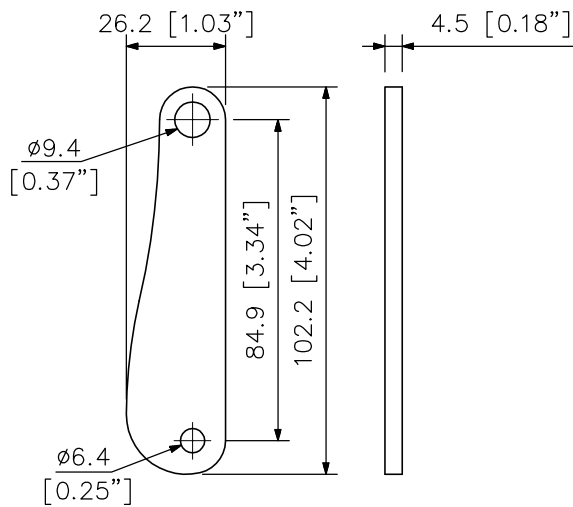
By using three HY-60DW-WP brackets, the directivity angle mode of the HX-7W-WP can be changed to 60° mode. It is also possible to change the directivity angle mode to 15° mode, 30° mode, or 45° mode. This bracket is designed for outdoor use.

SPECIFICATIONS

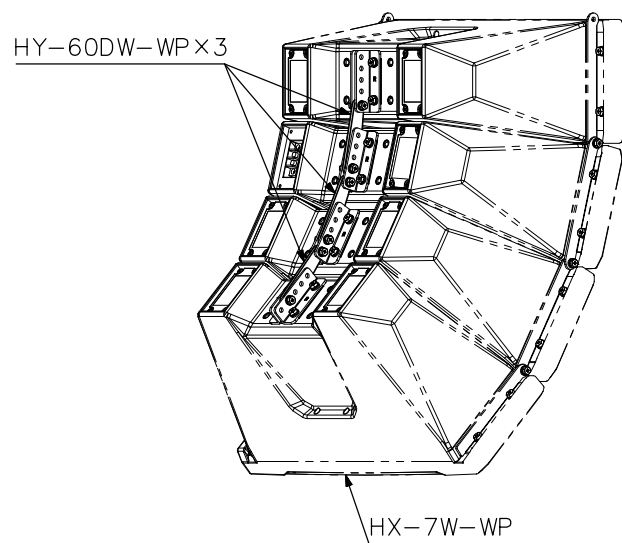
Finish	Stainless steel, white, semi-gloss, paint
Weight	70 g (0.15 lb)

Note: Every speaker module must be aimed horizontally or down to keep the weather resistant capability.

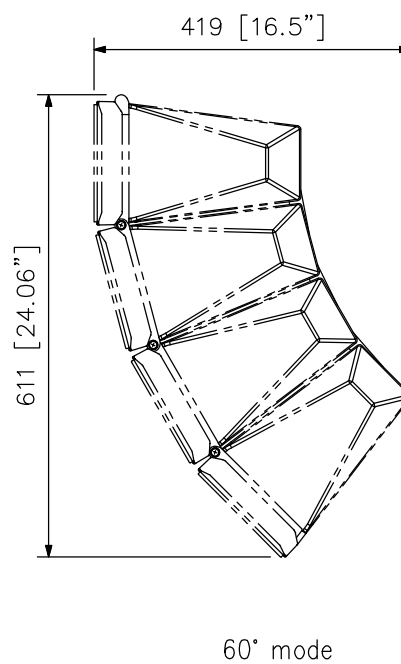
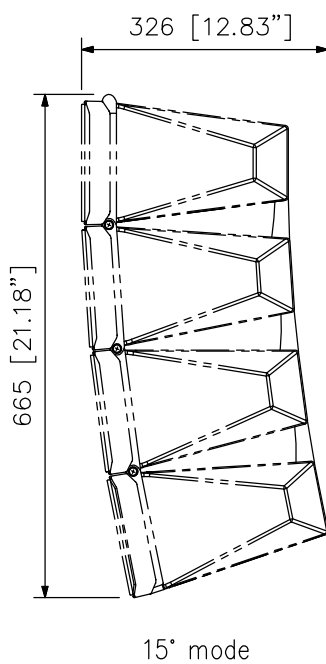
APPEARANCE



Mounting example (scale: 1/10)



Example for directivity angle modes (scale: 1/10)



UNIT: mm SCALE: 1/2