



SPEAKER WALL MOUNTING BRACKET HY-WM7W

DESCRIPTION

The HY-WM7W Speaker Wall Mounting Bracket is intended for mounting the HX-7W Speaker System to the wall by using in combination with the optional HY-VM7W Speaker Rigging Bracket.

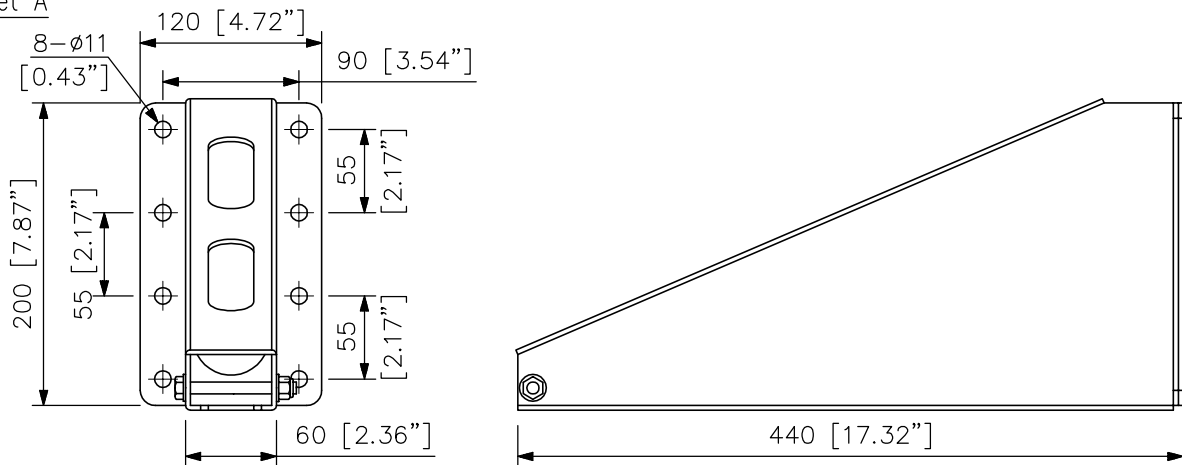
SPECIFICATIONS

| | |
|---------------------|---------------------------------------|
| Finish | Steel plate, white, semi-gloss, paint |
| Weight | 5 kg (11.02 lb) |
| Accessory | Speaker mounting bolt ...4 |
| Option | Speaker rigging bracket: HY-VM7W |
| Product Composition | Bracket A ...1, Bracket B ...1 |

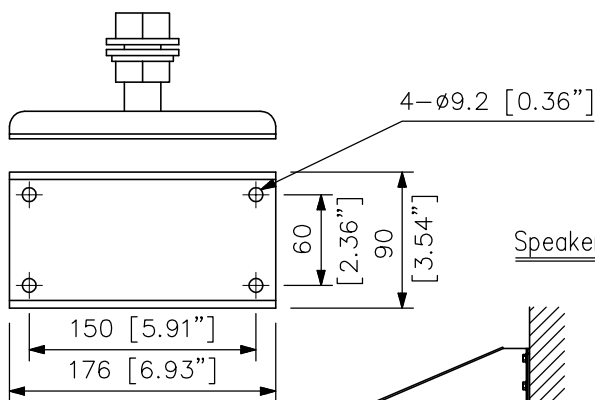
Note: Wall mounting bolts and nuts are not supplied.

APPEARANCE

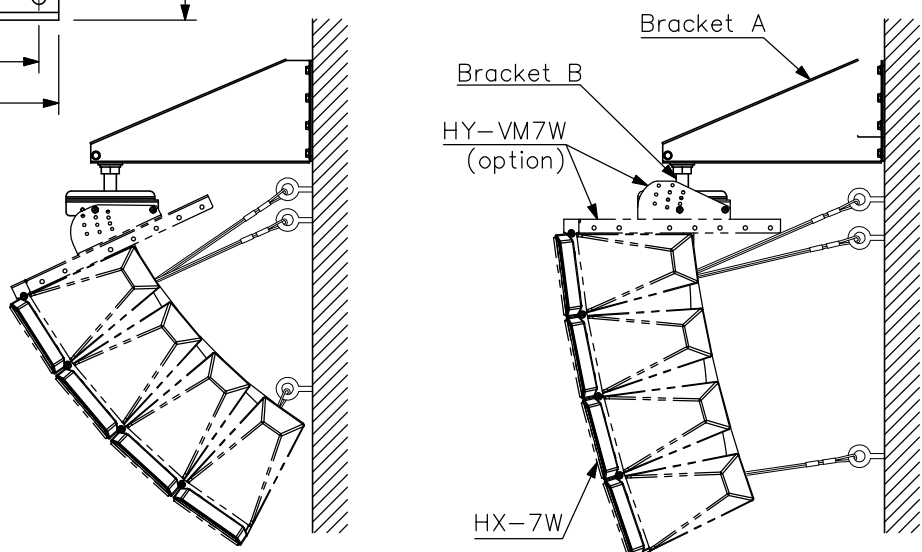
Bracket A



Bracket B



Speaker mounting example (scale: 1/15)



Speaker: 30° mode
Bracket: When set to a tilt angle of 25°

Speaker: 15° mode
Bracket: When set to a tilt angle of 0°

Note: Wires, anchor shackles, and carabiners necessary for hanging are not supplied with the product.

UNIT:mm SCALE:1/5

DESCRIPTION

The HY-VM7W Speaker Rigging Bracket is designed to mount the HX-7W Speaker System to the wall or ceiling by using in combination with the optional mounting bracket. With the use of the HY-VM7W only, the speaker system can be mounted to the ceiling or beams, or suspended from the ceiling by using eyebolts.

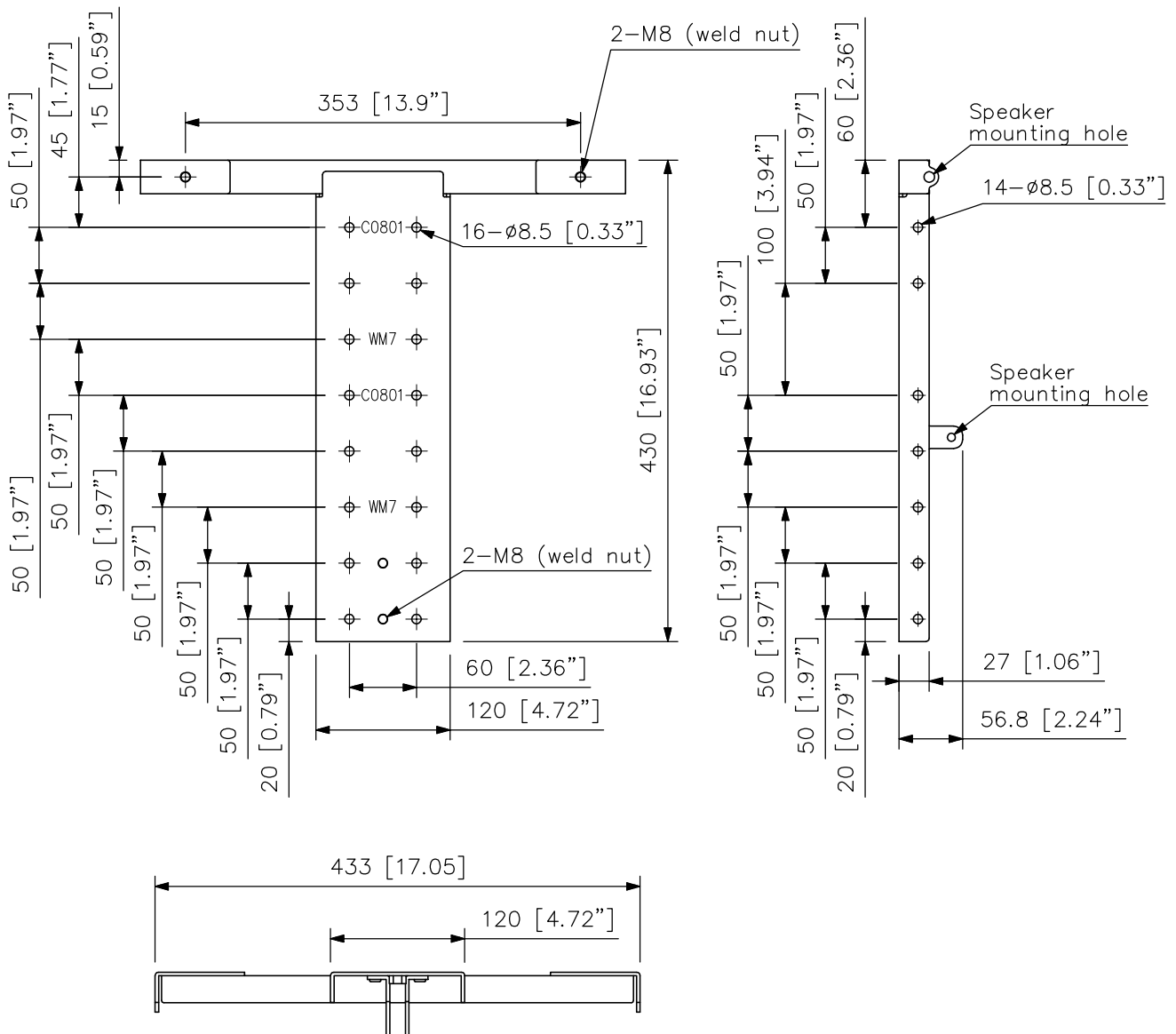
SPECIFICATIONS

| | |
|---------------------|--|
| Finish | Steel plate, white, semi-gloss, paint |
| Weight | 4.8 kg (10.58 lb) |
| Accessory | Speaker mounting bolt ×1 set, Bracket mounting bolt ×1 set |
| Option | Speaker wall mounting bracket: HY-WM7W Ceiling mount bracket: HY-C0801W |
| Product composition | T-bracket ×1, Angle bracket ×1, Mounting base ×1 |

Note: Ceiling or beam mounting bolts and nuts are not supplied.

APPEARANCE

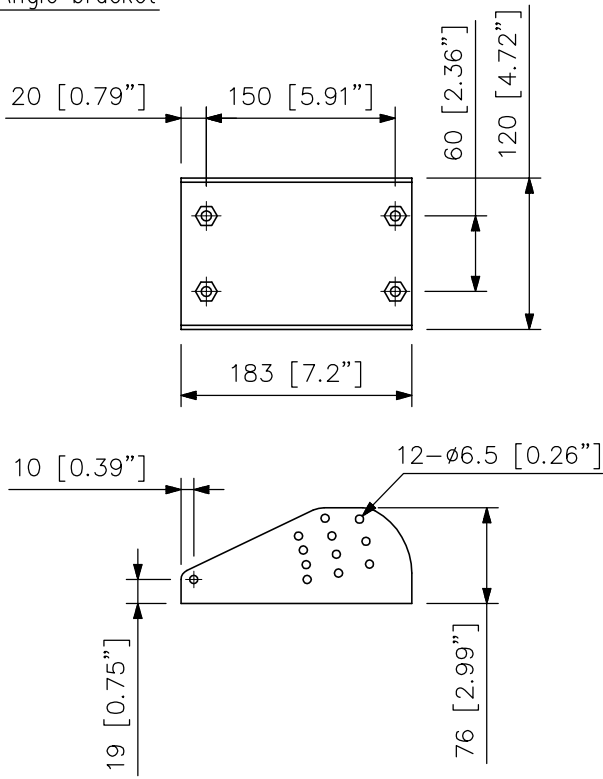
T-bracket



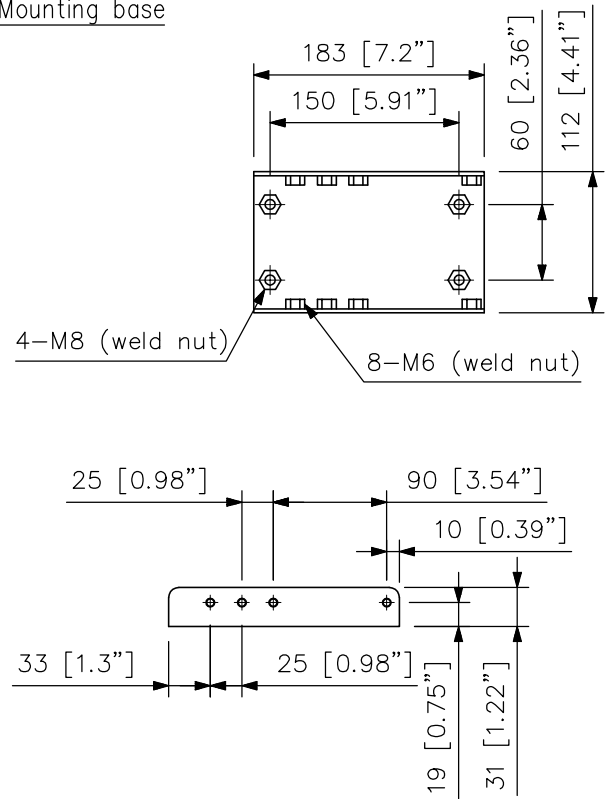
UNIT: mm SCALE: 1/6

■ APPEARANCE

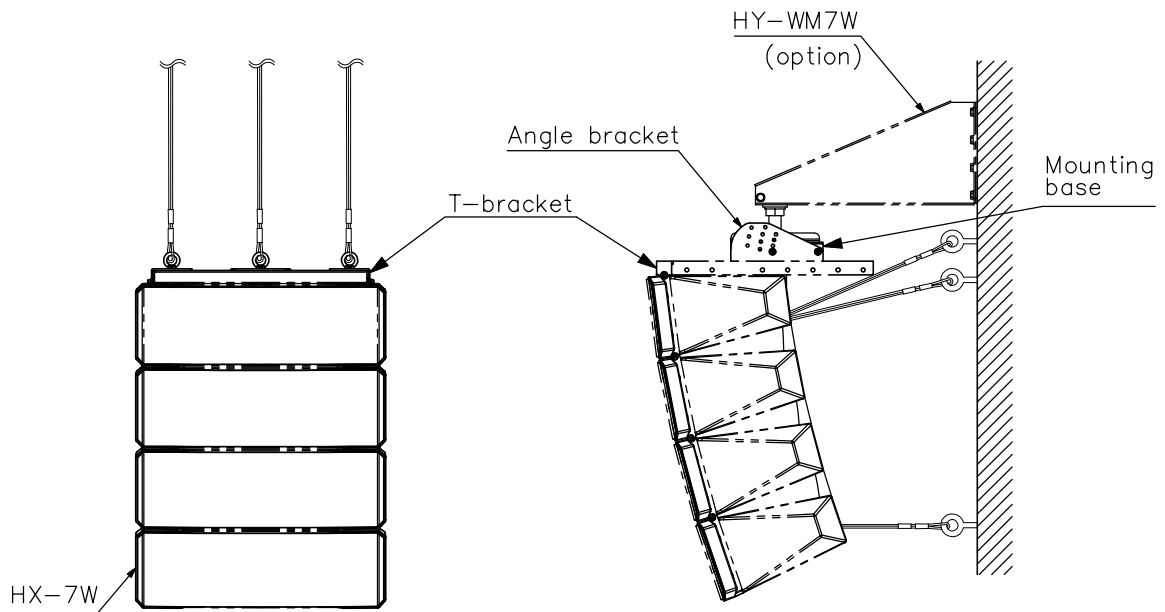
Angle bracket



Mounting base



Speaker mounting example (scale: 1/15)



Suspending from the ceiling
(only the T-bracket is used)

When installed on a wall

Note: Wires, anchor shackles, and carabiners necessary for hanging are not supplied with the product.

UNIT:mm SCALE:1/6