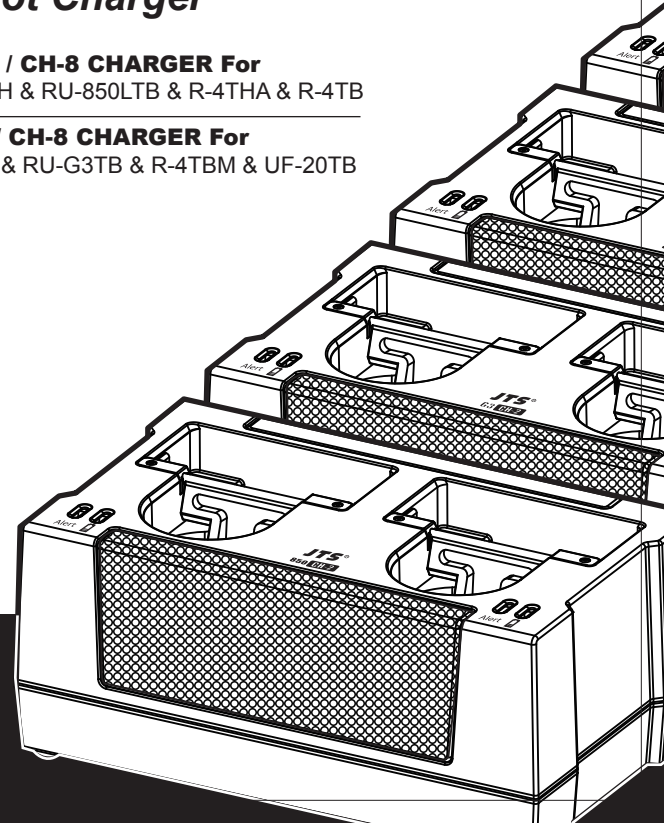


850CH-2 / G3CH-2 **2/8-Slot Charger**

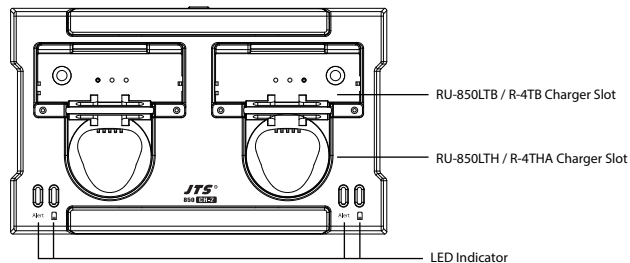
850CH-2 / CH-8 CHARGER For
RU-850LTH & RU-850LTB & R-4THA & R-4TB

G3CH-2 / CH-8 CHARGER For
RU-G3TH & RU-G3TB & R-4TBM & UF-20TB

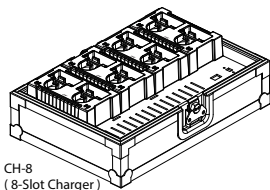
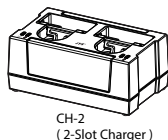
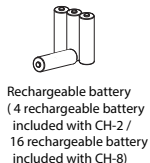
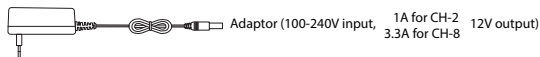
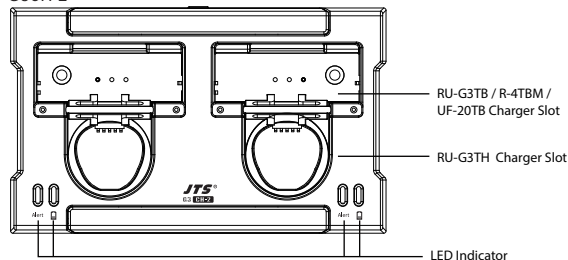


1. Parts Identification

850CH-2



G3CH-2



2. Specification

CH-2 (2-Slot Charger)
Input: AC 100~240V, 0.4A max
Output: DC 12V, 1A

LED Indicator
Full Charged / Standby: Green
Charging: Flash Green
Fault: Flash Red

Charging Time: 5 hours
(2000mAh rechargeable battery)

CH-8 (8-Slot Charger)
Input: AC 100~240V, 1.2A max
Output: DC 15V, 3A

LED Indicator
Full Charged / Standby: Green
Charging: Flash Green
Fault: Flash Red

Charging Time: 5 hours
(2000mAh rechargeable battery)

3. Charge Battery

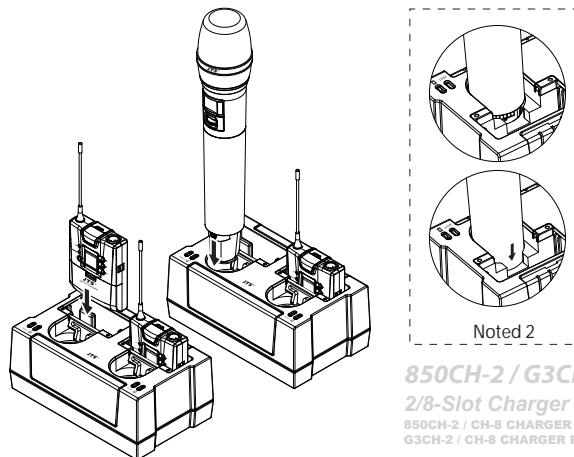
Plug the RU-G3TH / RU-G3TB / RU-850LTH / RU-850LTB / R-4THA / R-4TB / R-4TBM / UF-20TB into "Charger Slot" CH-2 or CH-8.

The charging indicator will flash green light when it is charging, and the green light will stop flashing when it is fully charged.

Noted 1: As soon as AC power is connected, the charging indicator will show green light.

Noted 2: Please follow the direction and **push the transmitters to the end till it touch the charging point** as show in below demonstration picture.

Noted 3: One charger Slot can only charge one item at a time.



850CH-2 / G3CH-2
2/8-Slot Charger

850CH-2 / CH-8 CHARGER For RU-850LTH & RU-850LTB
G3CH-2 / CH-8 CHARGER For RU-G3TH & RU-G3TB