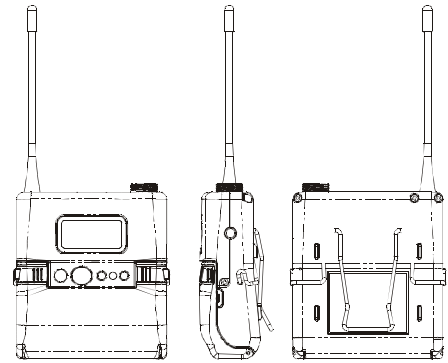


ACT-70TC Rechargeable Wideband Bodypack Transmitter

Key Features

- Ultra slim bodypack transmitter with sturdy magnesium alloy housing.
- On the top features mute switch, mini-XLR connector and antenna.
- Backlit LCD displays all operational parameter information.
- Innovatively designed battery cover allows easy access to operate buttons and prevents accidental operation.
- Mute button with remote-control jack for easy activation of mute function.
- Stable PLL circuits. Automatically synchronized with the receiver's frequency by MIPRO's patented ACT™ function.
- Can directly match to high-low input impedance for microphone or guitar without switching.
- The input sensitivity is adjustable with six selectable gain settings.
- Mini-XLR input with secure screw lock connector for lavalier / headworn mics and guitar.
- Adjustable belt clip allows wearing transmitter in up or down position.
- Transmitter has high-efficiency circuitry design. The included single rechargeable lithium battery can be easily removed or interchanged for charging. The intelligent battery charger maintains a high charge capacity for up to 600 charge cycles for cost saving and is environmentally friendly.



Microphones

| | |
|---------------------------|---|
| MU-13 | Single-sided Earworn Microphone (beige) |
| MU-23 | Omni-directional Headworn Microphone (beige, fixed connector) |
| MU-23d | Omni-directional Headworn Microphone (beige, detachable cont) |
| MU-210 | Uni-directional Headworn Microphone (beige, fixed connector) |
| MU-210d | Uni-directional Headworn Microphone (beige, detachable cont.) |
| MU-53L MU-53LS | Uni-directional Lavalier Microphone (black beige) |
| MU-55L MU-55LS | Omni-directional Lavalier Microphone (black beige) |
| MU-53HN MU-53HNS | Uni-directional Headworn Microphone (black beige) |
| MU-55HN MU-55HNS | Omni-directional Headworn Microphone (black beige) |

Accessories

| | |
|---------------|-------------------------------------|
| ASP-30 | Neoprene Sports Pouch |
| MJ-70 | Remote Mute Switch |
| MU-40G | Instrument Cable |
| MP-20 | Battery Charger |
| MP-80 | 3-in-1 Transmitter Charging Station |
| TC-18 | Transmitter Shielding Storage Case |

Technical Specifications

| | |
|------------------------|--|
| Frequency Range | UHF 480 – 934 MHz (country dependent) |
| Bandwidth | 72 MHz |
| Channel Set-Up | ACT Sync |
| RF Output Power | 10 mW / 50 mW (switchable) |
| Deviation | < ± 40 kHz |
| Spurious Emission | -55 dBc |
| Oscillation Mode | PLL Synthesized |
| Frequency Stability | ± 0.005% (-10 – +60) |
| LCD Display | Group, Channel, Frequency, AF gain, Frequency band, RF power, Mute mode, Lock status, Battery status and error codes |
| Gain Setting | +12dB, +6dB, 0dB, -6dB, -12dB, -18dB (6 settings) 0 dB = input microphone sensitivity |
| Max. Input Level | 0 dBV |
| Mute Connector | Optional MJ-70 remote mute switch |
| Battery Type | 1 ICR 18500 rechargeable lithium battery |
| Current Consumption | High Power: approx. 125 mA; Low Power: approx. 100 mA |
| Operating Time | A 20-minute fast charge provides up to 1 hour operation. Minimum 13 hours of operation per 4-hour full charge. |
| Dimensions (W × H × D) | 63 × 70 × 25 mm / 2.5 × 2.8 × 1.0 " |
| Net Weight | Approx. 82 g / 2.9 oz |



MIPRO Electronics Co., Ltd

Headquarters: 814 Pei-kang Road, Chiayi, 60096, Taiwan
Tel: +886.5.238.0809 | Fax: +886.5.238.0803
www.mipro.com.tw | mipro@mipro.com.tw

Specifications subject to change without notice. SS016/01