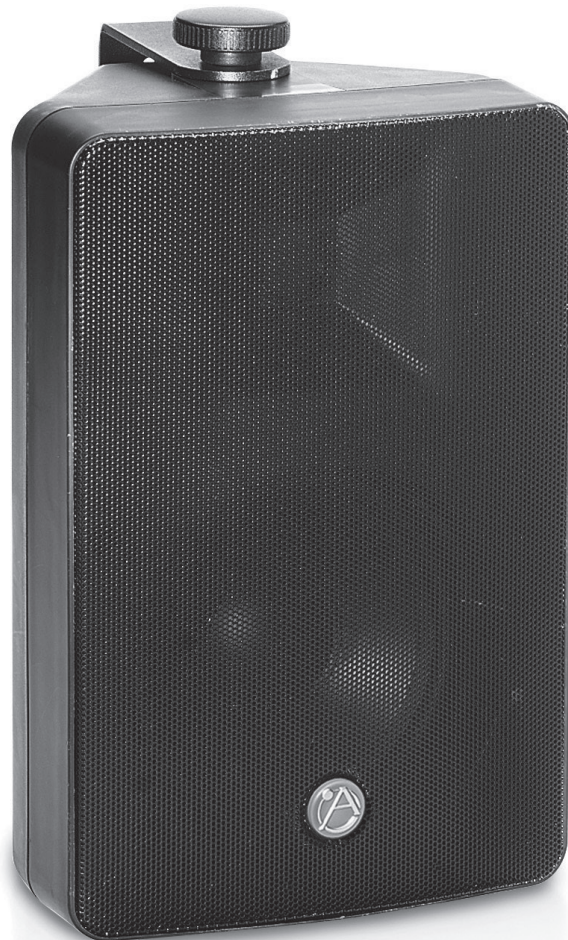




SM42TEN-B / SM42TEN-WH
Surface Mount Loudspeakers



SM42TEN

Owner's Manual

Table of Contents

Introduction	3
Key Features.....	3
Placement	3
Installation	4
Painting the Speakers.....	5
Painting the Grilles	5
8Ω Connections.....	5
Line Matching Transformer Connections.....	6
Maintenance and Care	6
Specifications	7
Dimensional Drawings	8
Warranty	12

SM42TEN

Owner's Manual

Introduction

Thank you for purchasing the AtlasIED SM42TEN Strategy Series® surface mount loudspeakers. The SM42TEN loudspeaker is designed to provide high fidelity, long life and installation convenience for commercial and residential applications. Their weather-resistant properties make them perfect for all indoor applications. The SM42TEN is available in either black or white.

Key Features

- Includes internal, high efficiency 70.7V / 100V transformer (may be bypassed by 8Ω operation)
- Barrier strip input with weather resistant cover
- Bracket included for wall mounting (EN54-24 Mounting Evaluated)
- Also compatible with optional mounting systems (EN54-24 Mounting Not Evaluated):
 - Omnimount™ 10.0 series or other mounting systems (single shaft or dual hole mount) may be used to match 1/4"-20 insert(s) on rear of speaker. Dual hole mounting systems must match 2³/₈" (60mm) OC, 1/4"-20 insert spacing.

Placement

Indoor Use

The materials used in the construction of the SM42TEN loudspeaker systems are weather resistant. The hardware is brass, the grille is powder-coated aluminum, and the bracket is zinc plated, powder coated steel. The enclosure itself is shatter resistant. The SM42TEN loudspeaker works very well when it is wall-mounted in indoor applications. When the loudspeaker is placed on a wall, it can take advantage of the natural boundary effect that occurs when a loudspeaker system is placed against one or more surfaces. This boundary effect will provide increased overall output. When mounted against one surface (on a wall), the loudspeaker output will increase by 3dB. When mounted against two surfaces (on the wall near the ceiling or corner), the loudspeaker output increases by 6dB. When mounted against three surfaces (in a corner near the ceiling), the loudspeaker output increases by 9dB.

Shelf Mounting (Indoor)

The bottom surface of the SM42TEN is a flat 90° to the speaker baffle to maintain level surface when placing on shelves. All models can also be horizontally installed in any placement option.

SM42TEN

Owner's Manual

Installation

Fixed Install

The SM42TEN loudspeaker includes a versatile yet simple U-bracket designed to provide easy vertical or horizontal installation on almost any surface. The loudspeaker may be installed using screws or bolts placed through the "Keyhole" shaped holes in the mounting bracket. The center $\frac{5}{8}$ " hole allows wire to exit through the bracket when wall mounting, for a clean installation. The unused inserts on the rear of the SM42TEN are $\frac{1}{4}$ "-20. These openings can be used with forged eyebolt and approved safety cable (wire rope sling) where redundant support is required for seismic or safety considerations. These parts are available through multiple sources:

- Eyebolt, Lifting With Shoulder, Steel, Plain Finish, $\frac{1}{4}$ "-20 Thread Size, 1" Thread Length, 1" Shank Length, $\frac{17}{32}$ " Shoulder Diameter, $\frac{5}{32}$ " Shoulder Length, $\frac{3}{4}$ " Eye Inside Diameter, $1\frac{1}{4}$ " Eye Outside Diameter, $2\frac{3}{8}$ " Overall Length, 500 lb. Working Load Limit
- Galvanized Steel Cable Spool, $\frac{1}{8}$ "
- Sleeve NThimble™ Kit for $\frac{1}{8}$ " Cable
- Swage It Tool for $\frac{1}{16}$ ", $\frac{3}{32}$ ", and $\frac{1}{8}$ " Cable Size
- The mounting knobs included with the SM42TEN may be easily interchanged with standard, $\frac{1}{4}$ "-20 vandal proof hardware
- TORX Drive Button Head $\frac{1}{4}$ " Machine Screw, Tamperproof, $\frac{1}{2}$ " Length
- One-Way Round Head $\frac{1}{4}$ " Machine Screw, Tamperproof, $\frac{1}{2}$ " Length
- Spanner Flat Head $\frac{1}{4}$ " Machine Screw, Tamperproof, $\frac{1}{2}$ " Length

Overhead Suspension

CAUTION: Suspending any object is potentially dangerous and should be attempted only by individuals who have thorough knowledge of the techniques and regulations of rigging objects overhead using ONLY hardware approved for this type of installation. AtlasIED strongly recommends that SM42TEN loudspeakers only be suspended overhead when taking into account all current national, federal, state, and local regulations. It is the responsibility of the installer to insure that the speaker is installed according to those regulations. If the SM42TEN loudspeaker is suspended, AtlasIED strongly recommends that the system be inspected at least once a year. If any signs of weakness or damage is detected, remedial action should be taken immediately.

ATTENTION: La suspension de tout objet est potentiellement dangereuse et ne devrait être accomplie que par du personnel qualifié, compétent et au fait des différentes loi et restrictions en matière de gréage et en n'utilisant que du matériel approuvé pour ce type d'installation. AtlasIED recommande fortement que les haut-parleurs SM42TEN ne soit suspendus qu'en tenant compte de la réglementation locale, provinciale et nationale. Il incombe à l'installateur de s'assurer que l'ouvrage effectuée rencontre les lois et réglementation en vigueur. Si le haut-parleur SM42TEN est suspendu, AtlasIED recommande fortement que l'installation soit inspectée une fois par année. Si l'installation est endommagée, ou montre des signes de faiblesse, des actions correctives doivent être entreprises immédiatement.

SM42TEN

Owner's Manual

Painting the Loudspeaker Enclosure

The injection molded PC / ABS cabinets can be painted to match any décor. The enclosure should be primed with two coats of a product such as Krylon™ Sandable Spray Primer #51318. Oil or water based house paint or spray paint can be used.

1. Remove the grilles and brackets.
2. Mask the speaker components and input terminal area with newspaper and masking tape.
3. Apply two thin primer coats to the speaker cabinets and knobs. (The brackets do not require a primer coat)
4. After the primer coats are completely dry, paint the cabinets, brackets, and knobs. Be careful not to paint the input terminals!

Painting the Grilles

The grille must be removed from the enclosure before painting. First, remove the two small grill retention screws. One is at the top front center of the enclosure and the second is on the bottom, front center of the enclosure. Using a paper clip bent into a "hook" shape, insert it into the grille near the corner and pull the grille away from the cabinet. Apply two thin coats of paint (primer is not required), be careful not to let the paint clog the holes of the grille.

8Ω Connections

The SM42TEN loudspeakers include an 8Ω switch position.

CAUTION: Do not set switch to 8Ω position when speakers are wired in 70.7V / 100V Systems.

The SM42TEN includes a two pole barrier strip housed by a weather-resistant cover. The barrier strip is designed to accept either spade connectors or bare wire.

Amplifier limitations will dictate how many SM42TEN loudspeakers may be connected. Most consumer amplifiers are rated to operate at a 4Ω minimum output impedance per channel (check the back panel of the amplifier or the amplifier owners manual to verify). With this arrangement, two SM Series loudspeakers may be connected in parallel to each channel of the amplifier (two 8Ω loudspeakers per channel = a 4Ω load). (See Figure 1)

Be sure to use good quality, unshielded twisted pair speaker cable to connect the amplifier to the loudspeaker(s) (#14AWG for runs <80', #12AWG for runs >80'). Standard ZIP style speaker cable may also be used if twisted pair cable is not available.

DO NOT USE SHIELDED INSTRUMENT STYLE (Guitar) CABLES TO CONNECT SPEAKERS.

When making connections, be sure to maintain proper polarity between speakers. (Red wire to red or (+) terminal, black wire to black or (-) terminal where applicable)

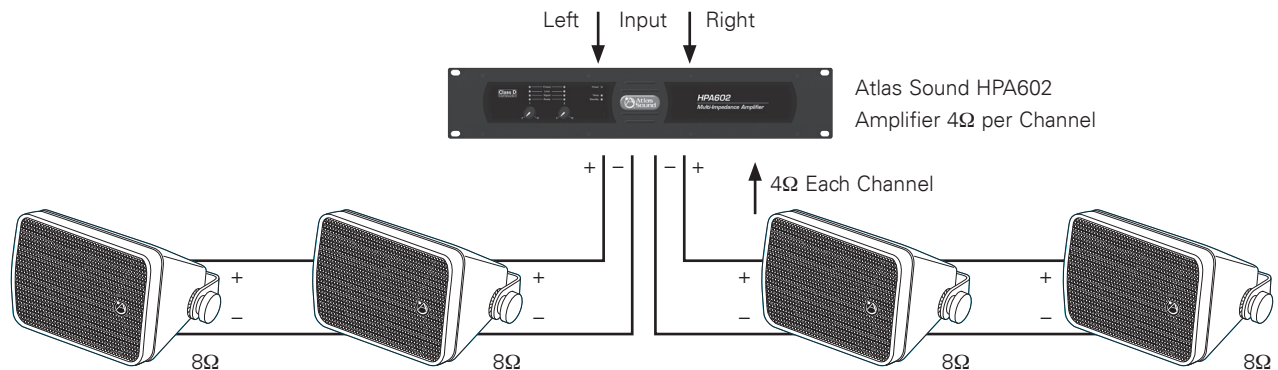


Figure 1

SM42TEN

Owner's Manual

Line Matching Transformer Connections

The SM42TEN includes a two pole barrier strip housed by a weather-resistant cover. The barrier strip is designed to accept either spade connectors or bare wire. AtlasIED recommends using #18AWG for wire runs up to 500', #16AWG for wire runs of 500' to 1000', and #14AWG for runs over 1000'. Building codes often dictate that speaker wire must be plenum rated and run in conduit. Be sure to check local code requirements before installation.

The SM42TEN is equipped with line matching transformers. These types of loudspeakers require an amplifier capable of driving a 70.7V line in order to ensure that the wattage taps selected will be appropriate. If the amplifier is not rated for 70.7V output, the AtlasIED AF140 autoformer can be used and configured as a step-up transformer for this purpose. Contact a local dealer for details.

Connect the speaker cable to the (+) and (-) barrier strip terminals on the back of the SM42TEN. Using a small screwdriver, adjust the wattage selector switch on the back of the SM42TEN to the desired wattage tap.

CAUTION: DO NOT SWITCH TO 8Ω POSITION WHEN LOUDSPEAKERS ARE WIRED IN 70.7V / 100V SYSTEMS.

Quantity of loudspeakers per amplifier will be dictated by the amplifier's wattage rating (at least 20% headroom should be allowed for extended range program material such as paging or digital music sources) i.e. an 120-watt amplifier will power 6 loudspeakers tapped at 16-watts each. (6x16=96, 120x 80%=96 <120W) (See Figure 2)

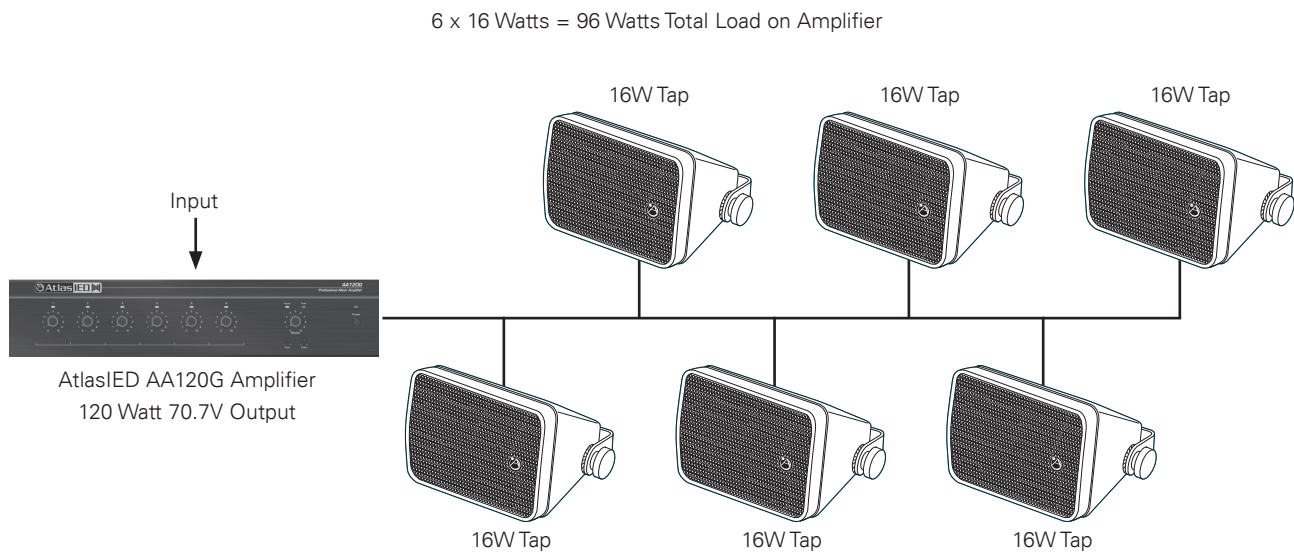


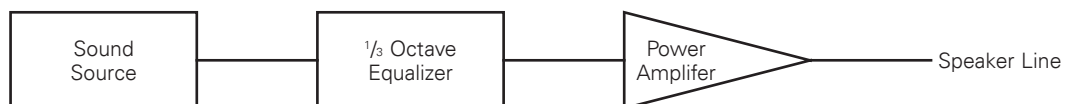
Figure 2

Maintenance and Care

AtlasIED surface mount loudspeakers have been designed and manufactured for years of trouble-free service. Clean the SM42TEN with a dampened soft cloth or paper towel. If the loudspeaker is mounted high on a wall or ceiling, use a broom or duster to gently brush it off. Spraying the speaker with high-pressure water is not recommended and will void the warranty.

Using the SM42TEN as a Component of a Voice Alarm System

To utilize the SM42TEN in a Fire Alarm, Voice Alarm System it is required to insert an equalizer in the signal path before the power amplifier.



SM42TEN

Owner's Manual

Equalizer Settings

Frequency Band	Equalizer Level	Bandwidth	Filter Q
160	-6dB	0.13	(Q = 11.093)
630	+2dB	0.22	(Q = 6.551)
750	+2dB	0.22	(Q = 6.551)
1600	-3dB	0.25	(Q = 5.763)
2100	+2.5dB	0.20	(Q = 7.207)
9000	+2dB	0.25	(Q = 5.763)

System	
Type	Surface Mount Loudspeaker
Operation Mode	Non-Powered Passive
Operating Range (-10dB)	104 Hz - 20.695kHz
Frequency Response (± 5 dB)	115Hz - 16kHz
Usable Low Frequency Limit (10dB Down Point)	78Hz
Input Sensitivity at 1W / 4m (EN54-24)	67dB
Max Input Ratings (8 Ω)	16 W Continuous, 32 W Program 11.3 Volts RMS, 15.5 Volts Peak
Transformer Taps - 70V	16W (312 Ω), 8W (624 Ω), 4W (1250 Ω), 2W (2500 Ω) and Low Impedance (8 Ω)
Transformer Taps - 100V	16W (625 Ω) RNP , 8W (1250 Ω), 4W (2500 Ω) and Low Impedance (8 Ω)
Directivity Factor (Q)	13.5 @ 2kHz
Directivity Factor (DI)	11.3 @ 2kHz
Power Handling in 8 Ω Switch Position	30 Watts
Max SPL at 4m EN54-24 (Passive 16W @ 100V)	77.1dB (± 3 dB)
Transducer Complement	
High Frequency	1" (25mm) Dome Tweeter
Low Frequency	4" Polypropylene Woofer
Crossover Frequency	4kHz
Crossover Slope	6dB / Octave
Input Connections	2 Pole Barrier Strip with Weather-Resistant Cover
Driver Protection (High Frequency)	AtlasIED PolyGuard™
Mechanical	
Color	White (RAL-9014) or Black (RAL-9011)
Materials	UV-Resistant PC / ABS Injection Molded Weatherproof Enclosure. (Black or White Finish) Perforated Powder Coated Aluminum Grille Matches Enclosure Color
Ingress Protection (EN54-24)	IP21C
Weight (Net)	3.50 lbs (1.59kg)
Dimensions	5" W x 7" H x 5.94" D (127mm x 178mm x 150mm)
Warranty Coverage	
Warranty Period	5 Years

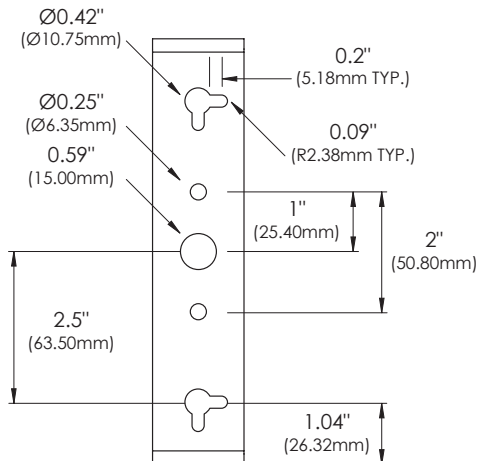
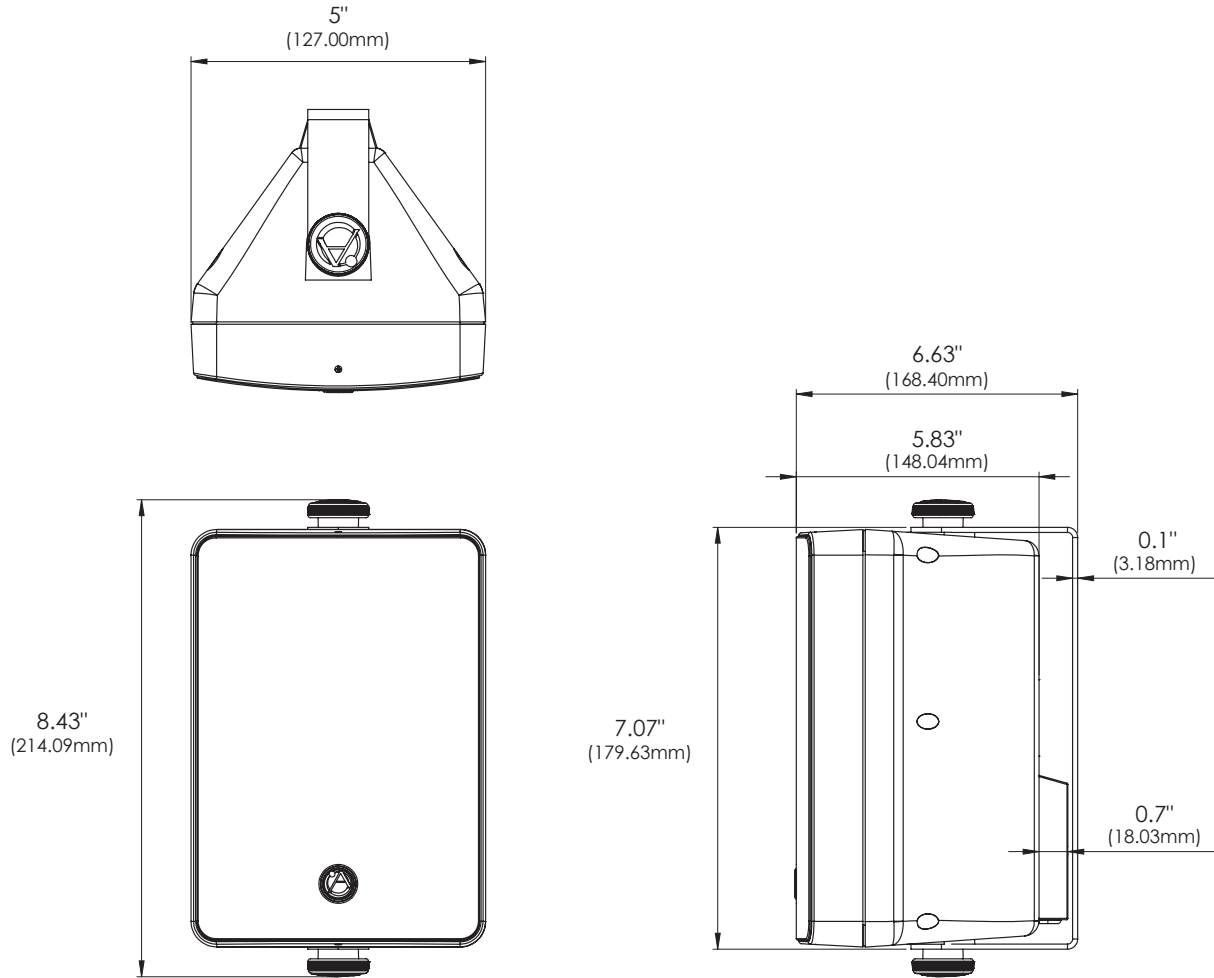
Notes:

1. Power: All power figures are calculated using the rated nominal impedance.
2. Frequency response and sensitivity are free field measurements.
3. Recommended power amplification is 1.5X program power
4. RNP - Rated Noise Power

SM42TEN

Owner's Manual

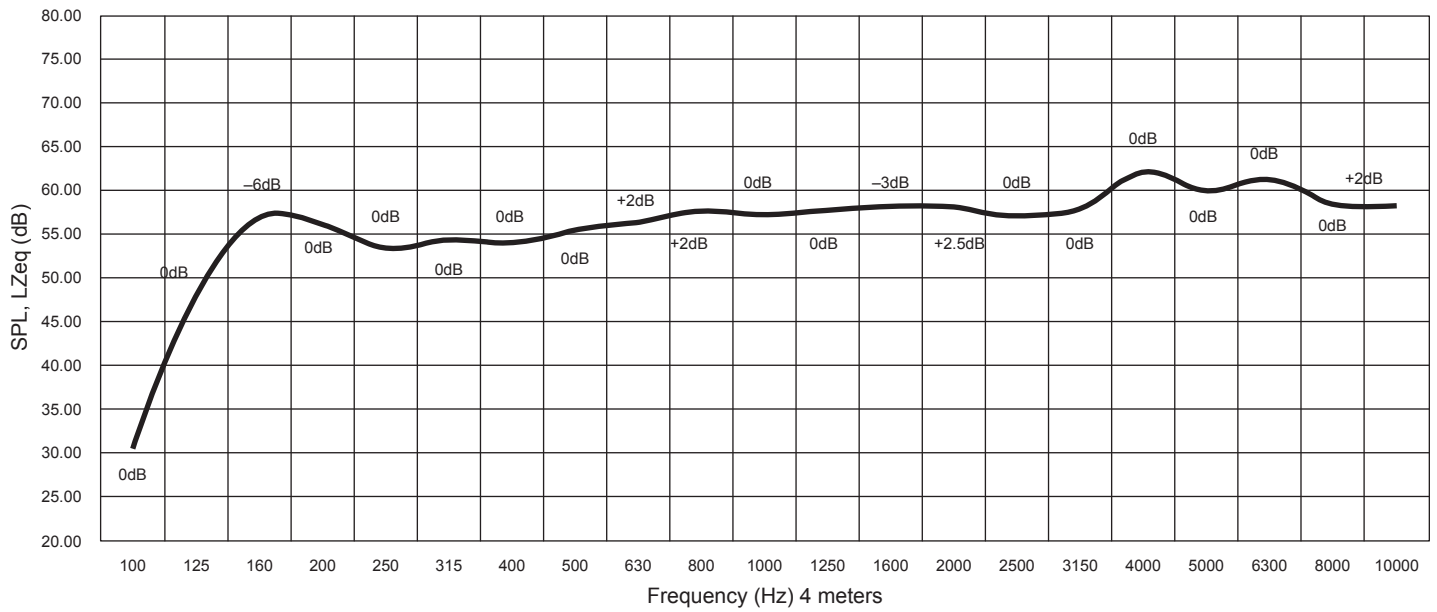
Dimensional Drawings



SM42TEN

Owner's Manual

Frequency Response



SM42TEN

Owner's Manual

Horizontal (Figure A)	Rotated right from the reference axis of the speaker (6 dB drop angle)	Rotated left from the reference axis of the speaker (6 dB drop angle)
Center Octave Band (Hz)		
500	Note 1	Note 1
1000	82°	82°
2000	60°	54°
4000	55°	48°

Vertical (Figure B)	Rotated right from the reference axis of the speaker (6 dB drop angle)	Rotated left from the reference axis of the speaker (6 dB drop angle)
Center Octave Band (Hz)		
500	Note 2	Note 2
1000	93°	85°
2000	59°	50°
4000	26°	11°

Note 1: The 6dB was not reached at 500 Hz. The minimum sound level reached is 57dB at 110° for the side A and at 110° for the side B.

Note 2: The 6dB was not reached at 500 Hz. The minimum sound level reached is 57dB at 120° for the side A and at 110° for the side B.

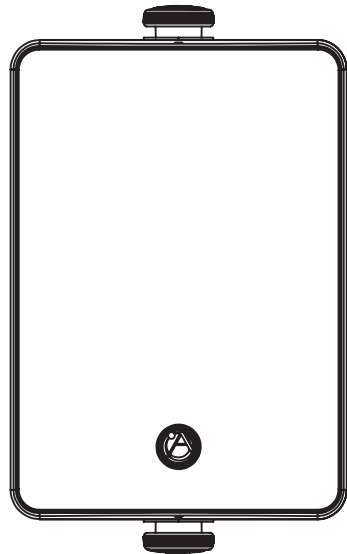


Figure A



Figure B

Reference Axis - A horizontal line running through the center of the speaker, from back to front.

Reference Plane - The facial plane of the speaker.

Reference Point - The intersecting point of the Reference Axis and Reference Plane.

Horizontal Plane - The horizontal plane across the reference point when the device is placed upright.

Limited Warranty

All products manufactured by AtlasIED are warranted to the original dealer / installer, industrial or commercial purchaser to be free from defects in material and workmanship and to be in compliance with our published specifications, if any. This warranty shall extend from the date of purchase for a period of three years on all AtlasIED products, including SOUNDOLIER brand, and ATLAS SOUND brand products except as follows: one year on electronics and control systems; one year on replacement parts; and one year on Musician Series stands and related accessories. Additionally, fuses and lamps carry no warranty. AtlasIED will solely at its discretion, replace at no charge or repair free of charge defective parts or products when the product has been applied and used in accordance with our published operation and installation instructions. We will not be responsible for defects caused by improper storage, misuse (including failure to provide reasonable and necessary maintenance), accident, abnormal atmospheres, water immersion, lightning discharge, or malfunctions when products have been modified or operated in excess of rated power, altered, serviced or installed in other than a workman like manner. The original sales invoice should be retained as evidence of purchase under the terms of this warranty. All warranty returns must comply with our returns policy set forth below. When products returned to AtlasIED do not qualify for repair or replacement under our warranty, repairs may be performed at prevailing costs for material and labor unless there is included with the returned product(s) a written request for an estimate of repair costs before any nonwarranty work is performed. In the event of replacement or upon completion of repairs, return shipment will be made with the transportation charges collect.

EXCEPT TO THE EXTENT THAT APPLICABLE LAW PREVENTS THE LIMITATION OF CONSEQUENTIAL DAMAGES FOR PERSONAL INJURY, ATLASIED SHALL NOT BE LIABLE IN TORT OR CONTRACT FOR ANY DIRECT, CONSEQUENTIAL OR INCIDENTAL LOSS OR DAMAGE ARISING OUT OF THE INSTALLATION, USE OR INABILITY TO USE THE PRODUCTS. THE ABOVE WARRANTY IS IN LIEU OF ALL OTHER WARRANTIES INCLUDING BUT NOT LIMITED TO WARRANTIES OF MERCHANTABILITY AND FITNESS FOR A PARTICULAR PURPOSE.

AtlasIED does not assume, or does it authorize any other person to assume or extend on its behalf, any other warranty, obligation, or liability. This warranty gives you specific legal rights and you may have other rights which vary from state to state.

Service

Should your SM42TEN require service, please contact the AtlasIED warranty department through the online warranty claim process.

Online Warranty Claim Processes

1. Warranty submissions are accepted at: https://www.atlasied.com/warranty_statement where the type of return Warranty or Stock return can be selected.
2. Once selected, you will be prompted to enter your login credentials. If you do not have a login, register on the site. If already logged-in, navigate to this page by selecting "Support" and then "Warranty & Returns" from the top menu.
3. In order to file a Warranty Claim, you will need:
 - A. A copy of the invoice / receipt of the purchased item
 - B. Date of Purchase
 - C. The product name or SKU
 - D. The serial number for the item (if no serial number exists, enter N/A)
 - E. A brief description of the fault for the claim
4. Once all required fields are completed, select the "Submit Button." You will receive 2 emails:
 1. One with a confirmation of the submission
 2. One with a case# for your reference should you need to contact us.

Please allow 2-3 business days for a response with a Return Authorization (RA) number and further instructions.

AtlasIED Tech Support can be reached at 1-800-876-3333 or [atlasied.com/support](https://www.atlasied.com/support).

Visit our website at www.AtlasIED.com to see other AtlasIED products.

A copy of the DoP can be found at [www.AtlasIED.com/SM42TEN-\(B or WH\)](https://www.AtlasIED.com/SM42TEN-(B%20or%20WH))

©2020 Atlas Sound L.P. The Atlas "Circle A", Soundolier, and Atlas Sound are trademarks of Atlas Sound L.P. IED is a registered trademark of Innovative Electronic Designs LLC. All Rights Reserved. All other trademarks are the property of their respective owners. All specs are subject to change without notice. ATSO06280 RevA 10/20



1601 JACK MCKAY BLVD.
ENNIS, TEXAS 75119 U.S.A.

TELEPHONE: (800) 876-3333
SUPPORT@ATLASIED.COM

AtlasIED.com