

Overview

The CXR10 mk3 is a 2-way loudspeaker and the most compact model of the series, capable of exceptional clarity, precision, and powerful sound output. Thanks to its compact enclosure, it can function as a versatile utility speaker suitable for a wide variety of sound reinforcement environments.



Features

- 10" LF + 1.75" HF proprietary high-durability speaker units
- The large-diameter horn secures directivity control across a wide frequency range
- Optimized port positioning reduces standing wave effects
- Lightweight, high-performance, form-injection molded enclosure with a symmetrical, functional design
- Optional UB-DXRDHR10A U-bracket allows both for vertical or horizontal use
- Optional SPCVR-DXR103 speaker cover protects speakers from rigors of equipment transport, lengthy storage, or outdoor performances
- Rigging points for use with eye bolts
- Dual-angle pole sockets offer both 0° or a -7° down tilt

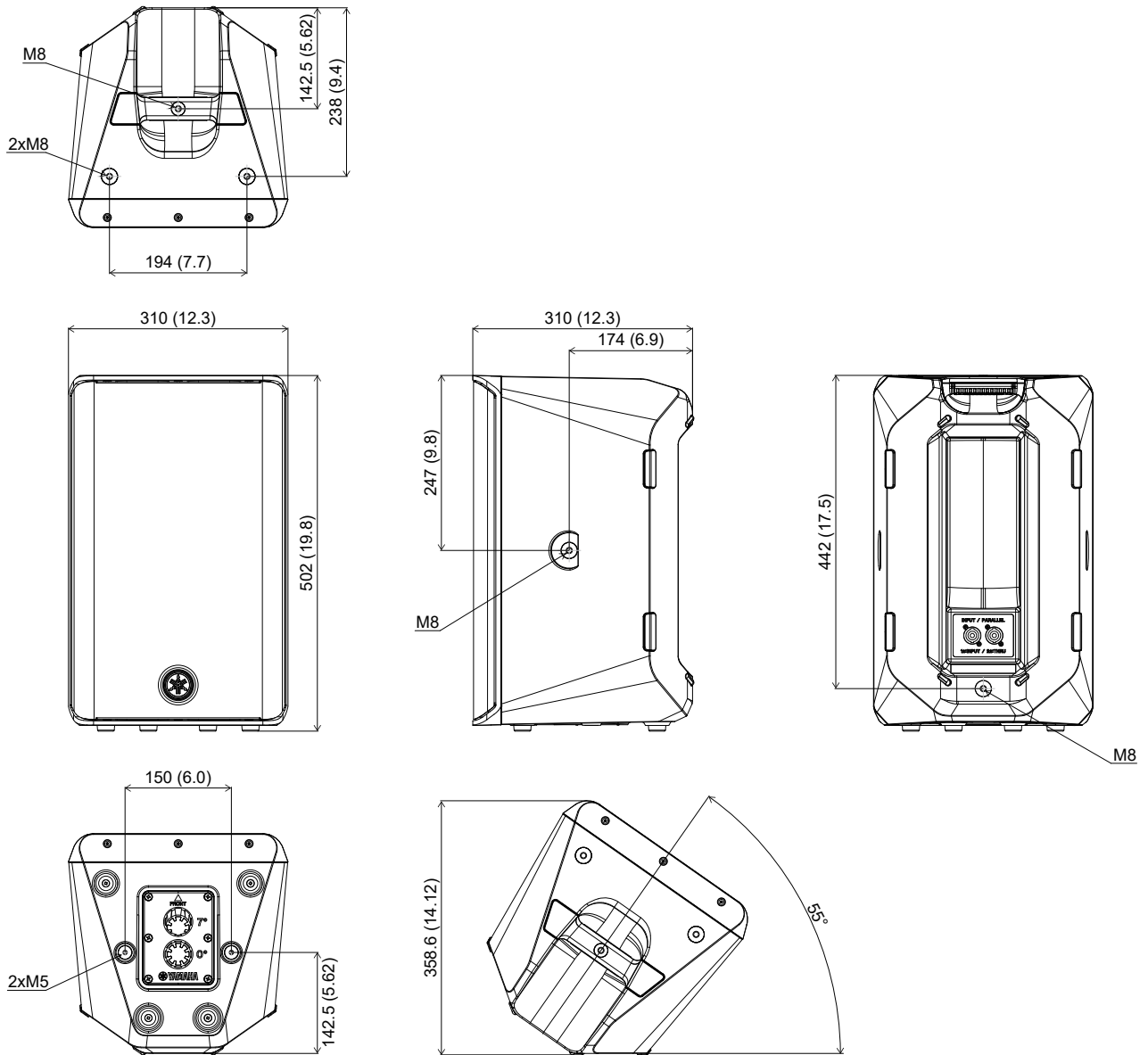
Specifications

General Specifications

Speaker type	2-way Speaker, Bass-reflex	
Frequency range (-10dB)	54 Hz - 20 kHz	
Coverage area	H90° x V60°	
Crossover	2.0 kHz	
Nominal impedance	8Ω	
SPL	Sensitivity (1W; 1m on axis)	93 dB SPL
	Peak (Calculated)	123 dB SPL
Components	LF	Diameter: 10" cone, Voice Coil: 2.5"
	HF	Diaphragm: 1.75", Type: 1" throat compression driver
Power rating	NOISE	275 W
	PGM	550 W
	PEAK	1100 W
I/O connectors	SpeakON NL4MP x 2 (parallel connected)	
Cabinet material	Plastic (PP)	
Finish	Black	
Handle	Top x1	
Pole socket	Φ35 mm x2 (Bottom, 0° or -7°)	
Rigging	Top x 2, Rear x 1 (Fit for M8 x 15 mm Eyebolts), Bottom x2, Side x 2 (Fit for M8 x 25 mm UB-DXRDR10A)	
Floor Monitor Angle	55°	
Dimensions	W	310 mm (12.2")
	H	502 mm (19.8")
	D	310 mm (12.2")
Net weight	12.2 kg (26.9 lbs)	
Options	U-bracket: UB-DXRDR10A, Cover: SPCVR-DXR103	

Dimensions

Unit: mm (inch)



Options

- U-bracket UB-DXR10A
- Cover SPCVR-DXR103

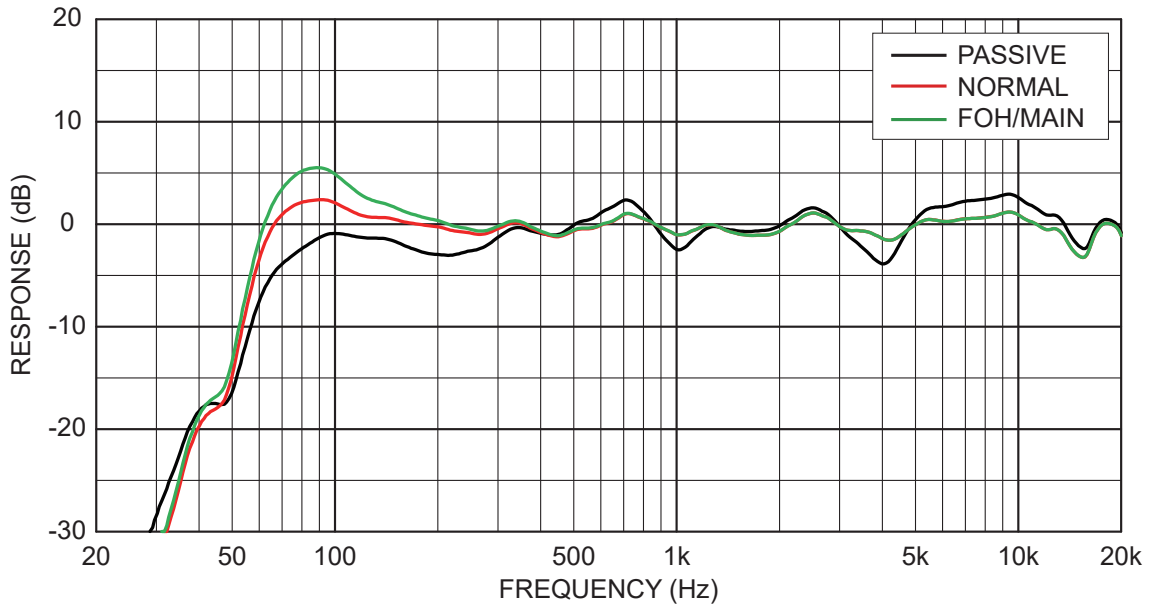
Architectural and Engineering Specifications

The Yamaha CXR10 mk3 shall be a full-range 2-way loudspeaker for sound reinforcement applications, with a bass-reflex type of cabinet. The loudspeaker shall have one 10" cone low-frequency transducer with a 2.5" voice coil, and one 1" throat high-frequency compression driver with a 1.75" polyimide diaphragm. The crossover frequency shall be 2 kHz. The loudspeaker shall be capable of meeting the following performance criteria: reproduction frequency range shall be 54 Hz to 20 kHz (-10 dB); nominal impedance of 8 Ω ; power ratings (IEC noise) of 275 W NOISE, 550 W PGM, 1100 W MAX; sensitivity of 93 dB SPL (1W, 1m) with a maximum SPL (calculated peak, 1m) of 123 dB SPL. Coverage angles shall be 90° horizontal and 60° vertical.

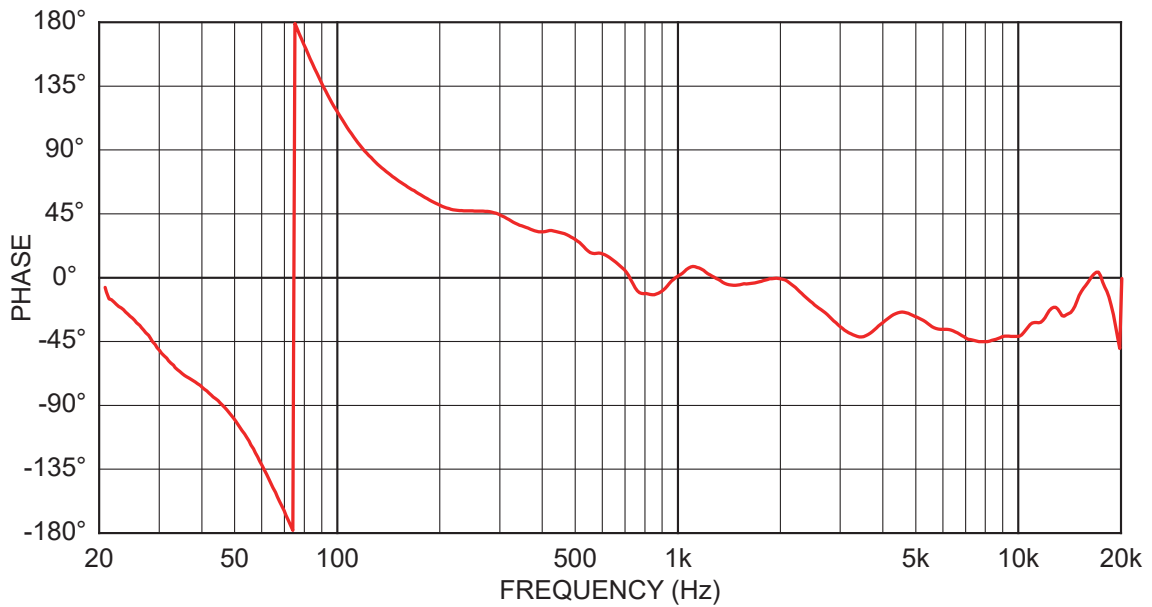
Two speakON NL4MP connectors shall be provided on the rear panel for audio input with wiring for a parallel connection.

The loudspeaker enclosure shall be constructed of form-injection molded black plastic, and shall allow for two angles of pole mounting as well as symmetrical floor monitor use, with a 55° angle. The front grille shall be made of black matte powder coated steel and shall not include any visible mounting screws on the front panel. Rigging points shall be provided for use with standard eyebolts, and optional U Brackets will offer a variety of mounting configurations. The loudspeaker cabinet shall include one handle for manual lifting. The dimensions of the loudspeaker shall be 310 x 502 x 310 mm (W x H x D). The weight shall be 12.2 kg.

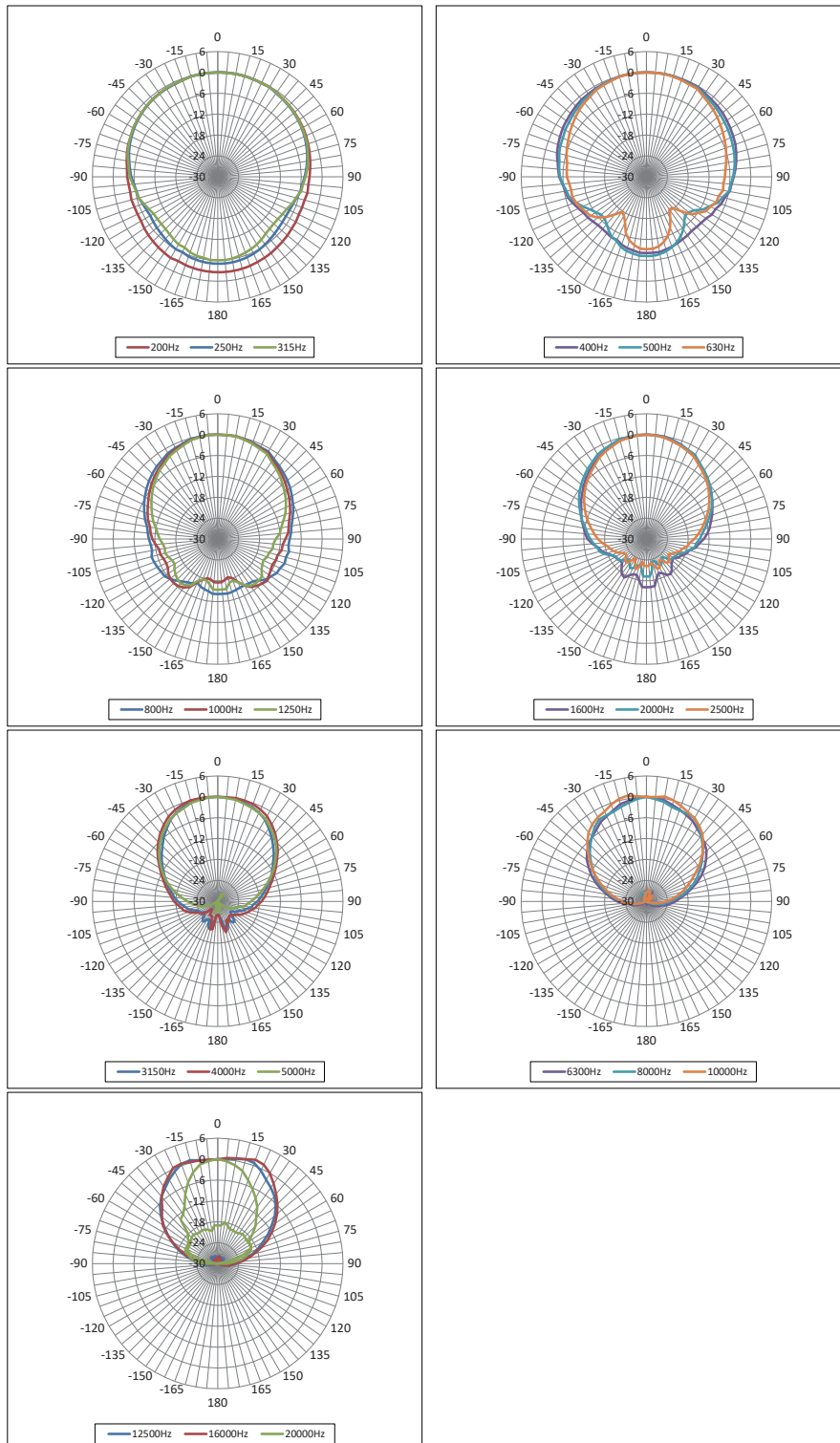
Frequency Response



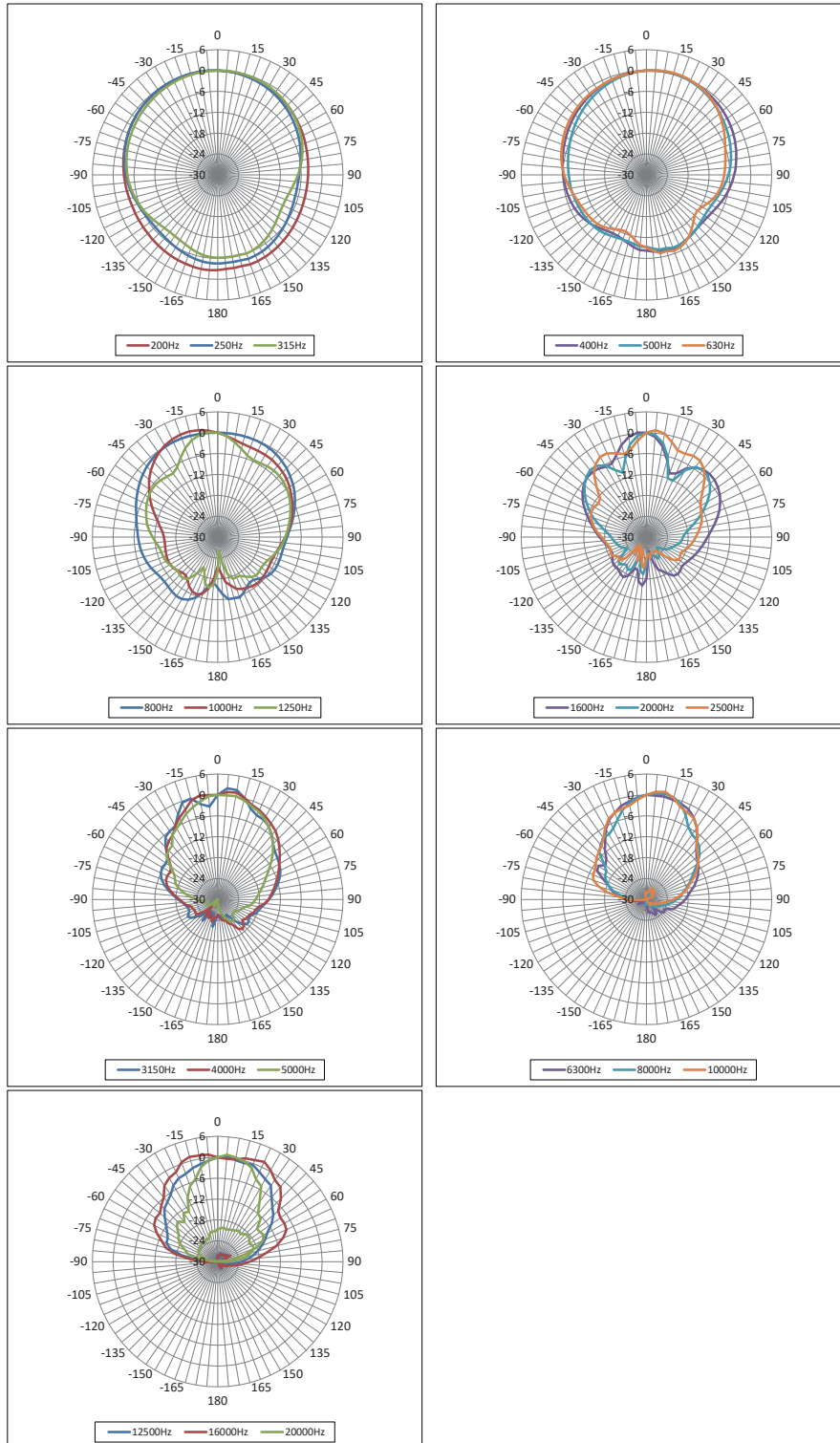
Phase Response



Horizontal Polar Plots



Vertical Polar Plots



*All information subject to change without notice.

*All trademarks and registered trademarks are property of their respective owners.

Created in April, 2026

YAMAHA CORPORATION
P.O.BOX 1, Hamamatsu Japan