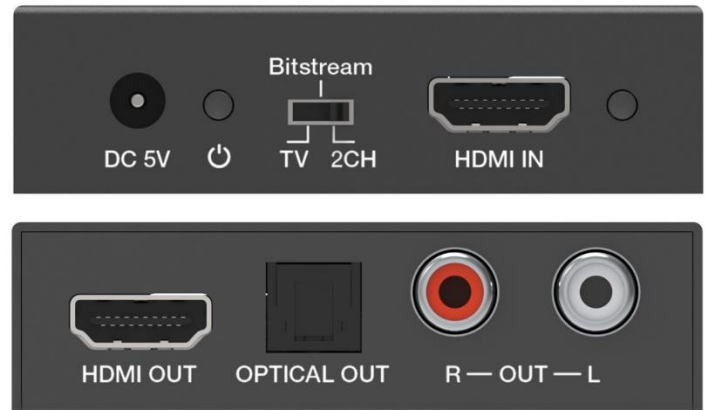


DVDO

DVDO-AudioE-1

4K HDMI 2.0b Audio Extractor



DVDO-AudioE-1 is an HDMI 2.0b audio extractor supporting video resolutions up to 4K@60Hz (Chroma subsampling YUV 4:4:4) and HDCP 2.2.

It extracts audio signals from any HDMI compliant source to digital optical or analog stereo L/R audio outputs.

It passes-through the audio including high resolution digital audio formats (LPCM 2CH, Dolby TrueHD, Dolby Digital Plus, Dolby Atmos and DTS-HD Master Audio) to the HDMI and optical outputs and provides bitstream audio down-mix to the analog stereo output.

It supports 10bit HDR (High Dynamic Range), HBD (High Bit Rate) audio and CEC pass-through.

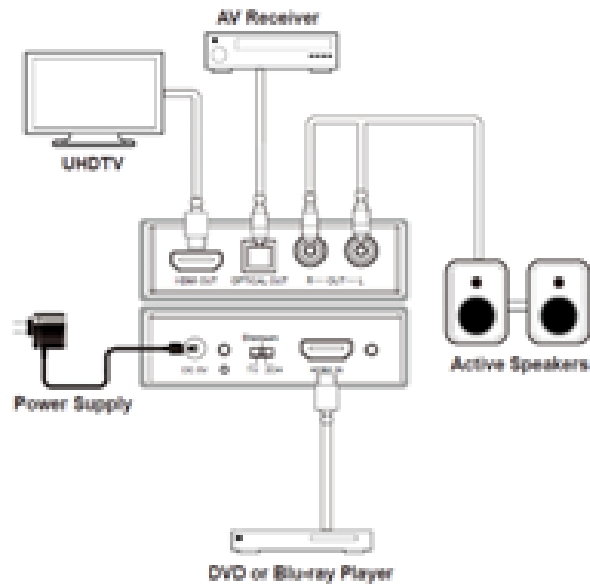
Features

- HDMI 2.0b (18Gbps), HDCP 2.2 and DVI compliant
- Video resolutions up to 4K@50/60Hz (YUV 4:4:4)
- Extract HDMI audio to multi-channel optical (SPDIF) or L/R analog audio
- HDMI Pass-through audio input to HDMI and optical audio output
- Bitstream audio down-mix to L/R analog output
- Optical audio supports LPCM 2CH, Dolby Digital 2/5.1CH, DTS 2/5.1CH
- HDMI High Bit Rate (HBR) audio pass through
- Audio sample rates up to 192kHz
- 10bit HDR (High Dynamic Range) pass through
- CEC pass-through

Applications

- Residential Audio
- Hospitality
- Digital Signage
- Education
- Home Theater
- Restaurants
- Conference Rooms
- Houses of Worship

Application Diagram



Technical Specifications

Technical	
Compliance	HDMI 2.0b / HDCP 2.2 & 1.4
Inputs	1 x HDMI Type A [19-pin female]
Outputs	1 x HDMI Type A [19-pin female] 1 x L/R Audio [RCA] 1 x Optical [S/PDIF]
Video Resolutions	Up to 4K2K@50/60Hz (YUV4:4:4), 4K2K@30Hz, 1080p@120Hz, 1080p 3D@60Hz
Color Space	RGB, YCbCr 4:4:4, YCbCr 4:2:2
Color Depth	10-bit, 12-bit
Maximum Data Rate	18Gbps
Audio Formats	HDMI (audio pass through): LPCM 2/5.1/7.1CH, Dolby Digital, DTS 5.1, Dolby Digital+, Dolby TrueHD, DTS-HD Master Audio, Dolby Atmos, DTS:X L/R Audio: Analog Stereo 2CH Optical Audio: LPCM 2CH, Dolby Digital 2/5.1 CH, DTS 2/5.1CH
General	
Enclosure	Black metal
Operating Temperature	0°C to 40°C (32°F to 104°F)
Storage Temperature	-20°C to 60°C (-4°F to 140°F)
Humidity	20% to 90%, non-condensing
ESD Protection	Human body model - ±8kV (air-gap discharge) & ±4kV (contact discharge)
Power Supply	Input: AC 100-240V 50/60Hz / Output: DC 5V/1A (US/EU standards, CE/FCC/UL certified)
Power Consumption	1.25W (Max)
Device Dimensions	73.5 x 60.7 x 20mm / 2.9 x 2.4 x 0.8in (W x D x H)
Product Weight	0.135kg / 0.3lb