



Product description

Designed to be part of voice alarm systems and fully compliant with EN54 - 24, the Tannoy DVS 4 (EN54) is an ultra-compact surface mount loudspeaker of exceptional value and acoustic performance. A full bandwidth loudspeaker primarily designed for commercial, professional and residential applications where environmental durability and high quality sound reproduction are required. For both indoor and limited outdoor use, these speakers are ideally suited to stereo or monaural background or foreground music systems in such applications as diverse as theme park attractions, retail premises, restaurants and cafes, hotel lobbies and bars, corporate audio visual, residential developments and houses of worship.

The point-source design comprises a 100 mm (4.00") mid bass driver with a coaxially mounted 19 mm (0.75") high frequency section mounted in a stylish injection moulded surface-mount enclosure manufactured from ABS material. The new device is certified for water and dust ingress protection to IP64 standard making it a perfectly capable performer in challenging interior areas such as swimming pools, saunas or work areas where unusually high levels of dust or moisture may be present, as well as most outdoor applications where extreme environmental or harsh weather conditions are not a typical concern.

The highly durable and scuff resistant, high impact ABS enclosure comes with an aluminium grille designed with optimum aesthetic sensitivity in mind. A steel mounting bracket is included, which fits easily to the device via finger-tightened plastic screw-nut on the top and bottom of the enclosure, making installation quick and hassle-free. Thanks to the point-source driver design, the DVS 4 (EN54) can be mounted vertically or horizontally without compromising the dispersion and coverage control.

Features

- Certified to EN54 - 24
- 100 mm (4.00") coaxial transducer for high performance and durability
- Exceptional performance to value ratio
- Weather resistant rated IP64 to EN60529 (IEC529)
- Stylish, durable ABS enclosure available in black or white
- Phase coherent design for superior vocal articulation and music reproduction
- Painted steel yoke bracket supplied
- Low insertion loss 30 W transformer for use in distributed audio installations

While usable in low impedance mode, it is equipped with an internally mounted low insertion loss line transformer for 70 V or 100 V distributed sound applications. Wattage taps are configurable to the following settings via a rotary tapping switch, which is located on the back panel.

70 V systems: 30 W / 15 W / 7.5 W / 3.75 W / OFF & low impedance operation

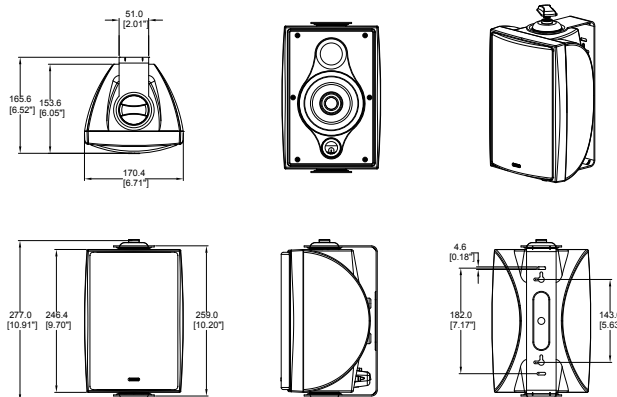
100 V systems: 30 W / 15 W / 7.5 W / OFF & low impedance operation

Physical data

Dimensions HxWxD:	277.0 mm x 170.4 mm x 165.6 mm, (10.91" x 6.71" x 6.52")
Net Weight:	1.8 kg (3.96 lbs)
Enclosure:	ABS
Finish:	Black or white aluminium

Applications

- Voice alarm systems
- Indoor and outdoor commercial, professional and residential installations
- High level stereo or monaural background or foreground music and speech paging systems
- Theme parks
- Theme bars
- Boardrooms & Offices
- Business Music Systems
- Airports, Convention Centres, Hotels
- Reception / Waiting Rooms
- Retail Outlets / Shopping Malls
- Restaurants and cafes
- Corporate audio visual
- Residential developments



Technical Data Sheet

Specifications

DVS 4 (EN54)

Performance	
System	DVS 4 (EN54)
Frequency response (-3 dB) ⁽¹⁾	75 Hz - 20 kHz
Frequency range (-10 dB) ⁽¹⁾	60 Hz - 30 kHz
Rated sensitivity (1 W, Lo Z) ⁽²⁾	84 dB
Sensitivity as per EN54 (4 M, through transformer) ⁽²⁾	70 dB
Directivity factor (Q)	6.5 averaged 1 kHz to 10 kHz
Directivity Index (DI)	5.3 averaged 1 kHz to 10 kHz
Power Handling ⁽³⁾	
Average	40 W
Programme	80 W
Peak	160 W
Recommended Amplifier Power	80 W @ 6 ohms
Nominal Impedance (Lo, Z)	6 ohms
Maximum SPL as per EN54 (4 M, through transformer) ⁽²⁾	84.8 dB
Rated maximum SPL (1 m, Lo Z) ⁽²⁾	
Average	100 dB
Peak	106 dB
Transformer Taps (via front rotary switch)	
70 V	30 W (165 Ω) / 15 W (330 Ω) / 7.5 W (660 Ω) / 3.75 W (1320 Ω) / OFF & low impedance operation
100 V	30 W (330 Ω) / 15 W (660 Ω) / 7.5 W (1320 Ω) / OFF & low impedance operation
Crossover Point	3.9 kHz - 2nd order LF, 2nd order HF

Coverage angles ⁽⁴⁾		
	Horizontal plane	Vertical plane
500 Hz	360°	360°
1 kHz	151°	124°
2 kHz	113°	129°
4 kHz	142°	146°

Distortion				
10% full power		Harmonics		
		2nd	3rd	
	250 Hz	0.738%	0.772%	
	1 kHz	0.145%	0.234%	
	10 kHz	0.070%	0.070%	
1% full power	250 Hz	0.320%	0.311%	
	1 kHz	0.078%	0.174%	
	10 kHz	0.087%	0.087%	

Transducers	
Low Frequency	100 mm (4.00") mineral loaded cone material
High Frequency	19 mm (0.75") coaxially mounted

Physical	
Enclosure	ABS
Grille	Aluminium, Painted
Connectors	Removable locking connector with screw terminals with "loop through" facility
Transformer setting	Rotary switch
Dimensions (H x W x D)	277.0 x 170.4 x 165.6 mm (10.91" x 6.71" x 6.52")
Net Weight (ea)	1.8 kg (3.96 lbs)
Shipped weight	5.4 kg (11.9 lbs)
Included Accessories	Yoke bracket
Packed Quantity	2

Ordering Information	
Part Number	Colour
8001 7590	Black
8001 7591	White



Notes:

1. Average over stated bandwidth. Measured in an IEC baffle in an Anechoic Chamber
2. Unweighted pink noise input, measured at 1 metre on axis
3. Long term power handling capacity as defined in EIA - 426B test
4. The reference point for the reference axis (on-axis) is the centre of the baffle. The horizontal and vertical planes are defined with the speaker mounted with the transformer tapping selector at the bottom

A full range of measurements, performance data, CLF and Ease™ Data for DVS 4 can be downloaded from www.tannoypro.com. They also apply to the DVS 4 (EN54).

Tannoy operates a policy of continuous research and development. The introduction of new materials or manufacturing methods will always equal or exceed the publishing specifications, which Tannoy reserves the right to alter without prior notice. Please verify the latest specifications when dealing with critical applications.

Copyright (c) 2015 Tannoy Limited. All rights reserved.