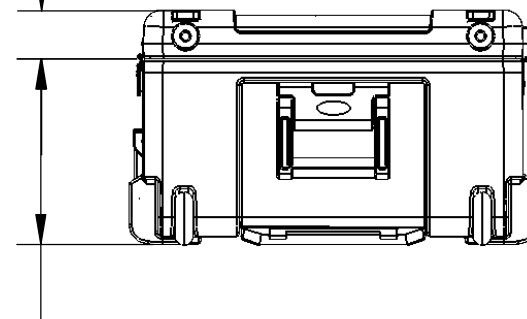


2.50"  
(2.12")



9.64"  
(8.63")

3R2817-10



434 West Levers Place  
Orange, CA 92867  
Phone: (714) 637-1252  
Fax: (714) 637-0491  
<http://www.skbcases.com>

This drawing and all information details are the sole property of SKB Corporation, Orange CA. Any unauthorized use will be punished to the full extent of the law.

Case Series:	Mil-Standard	Dimensions (for reference only)			
		Length	Width	Overall	Base / Lid
Case part#	3R2817-10				
		left to right	front to back	height	height
Weight:	21.7 LBS EMPTY	31.70"	21.24"	12.14"	9.64"-2.50"
		Exterior			
		Interior	29.00"	17.75"	10.75"
					8.63"-2.12"

NOTE: DIMENSIONS IN (X.XX") ARE ID

5

4

3

2

1