

## EVID-C8.1S-G2 Ceiling subwoofer 8" white

### EVID Ceiling G2

- EZ-install system for quick, safe, and reliable installation
- Bezel-less design with easy-attach grille
- Front baffle wattage tap adjustment
- Includes tile rail and C-Ring for easy installation
- UL 1480A, UL 2043, CSA C22.2 No. 205 and IEC 62368-1 certified



The Electro-Voice EVID-C8.1S-G2 is a complete 8-inch subwoofer that offers excellent sound quality and outstanding reliability with first-class aesthetics. It includes the EZ-Install system for quick and easy installations that are fast and reliable without compromising on safety.

The subwoofer features a point-source design to improve off-axis response and overall uniform coverage. The EVID-C8.1S-G2 utilizes a transformer that offers a selection of 3.75 (70-V only), 7.5, 15, 30 or 60 watts delivered to the subwoofer system using either 70-V or 100-V lines, or 8-ohm bypass. Selection is via a convenient switch on the front baffle. The perforated grille is finished in semi-gloss white powder-coated enamel. The baffle is constructed from UL 94V-0 rated ABS. The rear enclosure is constructed from heavy gauge coated steel. The low-profile enclosure makes it easy to mount in very tight spaces. A side terminal-cover provides access to a 4-pin terminal block that allows direct connection to the speaker with 12-gauge and 3.3 mm<sup>2</sup>-wire and provides pass through to additional speakers.

A mounting ring and a tile bridge are included for safe suspension of the EVID-C8.1S-G2 ceiling systems in a drop ceiling that uses mineral wool, or other fiber-based ceiling tiles.

The wide range of EVID ceiling speakers has been designed to work together as a complete system in a variety of different ceiling constructions, and to be used in combination with other EVID surface-mount and in-wall speakers

### Parts included

Quantity	Component
2	Ceiling subwoofer
2	Subwoofer connection cover (installed)
2	Magnetic grille
4	Ceiling tile rail
2	C-ring
4	Screw
1	Cutout template
2	Paint cover
1	Quick installation guide

### Technical specifications

Frequency range (-10 dB) (Hz) <sup>1</sup>	45 Hz – 380 Hz
Maximum SPL (continuous) (dB) <sup>2</sup>	113 dB
Maximum SPL (peak) (dB) <sup>2</sup>	119 dB
Sensitivity (1 W, 1 m) <sup>3</sup>	90 dB SPL 1 W, 1 m
Coverage angle omnidirectional (°)	360°
Power handling (continuous) (W) <sup>4</sup>	180 W
Power handling (peak) (W) <sup>4</sup>	720 W
Long term power handling (continuous) (W) <sup>5</sup>	150 W
Long term power handling (peak) (W) <sup>5</sup>	600 W
Nominal impedance (Ω) (Low Z)	8 Ω
Transformer taps 70 V line (W) <sup>6</sup>	60 W; 30 W; 15 W; 7.5 W; 3.75 W

Transformer taps 100 V line (W) <sup>6</sup>	60 W; 30 W; 15 W; 7.5 W
LF transducer size (in)	8 in
Material	Steel
Grille material	Powder coated steel
Connector type	4-pin Euroblock Input + Pass through
Wire size (AWG)	12AWG (maximum)
Wire diameter (mm <sup>2</sup> )	3.3 mm <sup>2</sup> (maximum)
Color	White; Customized colors
Color (RAL)	RAL 9003 Signal white
Mounting cutout (in)	12.70 in
Mounting cutout (mm)	322 mm
Dimensions (Ø x D) (in)	13.9 in x 9.9 in
Dimensions (Ø x D) (mm)	353 mm x 250.7 mm
Mounting depth (in)	9.5 in
Mounting depth (mm)	240 mm
Ceiling thickness (in)	0.5 in - 1.5 in
Ceiling thickness (mm)	12.5 mm - 38 mm
Weight (lb) <sup>7</sup>	16 lb
Weight (kg) <sup>7</sup>	7.25 kg
Shipping weight (lb) <sup>8</sup>	40 lb
Shipping weight (kg) <sup>8</sup>	18.10 kg
IP rating	IP34
Weatherization	Indoor
Operating temperature (°F)	32 °F - 122 °F
Operating temperature (°C)	0 °C - 50 °C
Safety agency ratings	UL 1480A, safe for use in air-handling spaces per UL 2043, CSA C22.2 No. 205 certified, IEC 62638

<sup>1</sup>Half-space (in-ceiling mounted) - UL tested (20 Hz to 20 kHz)

<sup>2</sup>Calculated

<sup>3</sup>Half-space (1 W/1 m)

<sup>4</sup>Continuous pink noise (2 hours)

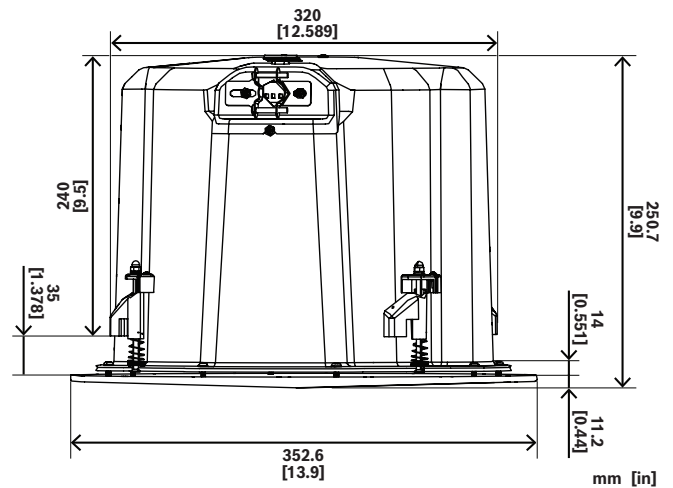
<sup>5</sup>Continuous pink noise (100 hours)

<sup>6</sup>Continuous pink noise (20 Hz to 20 kHz)

<sup>7</sup>Single product

<sup>8</sup>Pair of products

## Dimensions



## Installation note

This is a professional product that should be installed, used and maintained by trained professionals only.

## Ordering information

### EVID-C8.1S-G2 Ceiling subwoofer 8" white

Eight-inch ceiling subwoofer, 150 W (8 Ohms), 70/100 V (3.75 W to 60 W), white

Order number EVID-C8.1S-G2 | F.01U.417.785

### Accessories

#### C-RG-L-BK Round magnetic grille, large, black

Powder-coated steel grille, magnetic, with safety tether, sold in pack of 6 units

Order number C-RG-L-BK | F.01U.420.260



<https://www.electrovoice.com>