

FAP62D-USA

Strategy I Series Dante™ Enabled In-Ceiling Loudspeaker



Features

- Dante™ Network Audio Enabled
- Labor Savings with Pre-Assembled Package
- Priced and Sold as Each
- Assembled in the USA

Applications

AtlasIED's FAP62D-USA combines superior coaxial loudspeaker performance with even dispersion and Dante™ network audio, making it ideal for a variety of applications.

The FAP62D-USA will satisfy the needs of owners, architects, contractors, and consultants by delivering true, high fidelity sound reproduction in an attractive and easy-to-install system. The FAP62D-USA is ideal for high-intelligibility voice, music, and signal reproduction in commercial, industrial, and institutional applications that utilize Dante™ network audio.

General Description

The FAP62D-USA Strategy Series loudspeaker package is the first Dante™ enabled loudspeaker available from AtlasIED. Built on the industry standard Strategy I Series platform, the FAP62D-USA combines the high fidelity sound quality of the Strategy I Series with the networkability and convenience of Dante™ control.

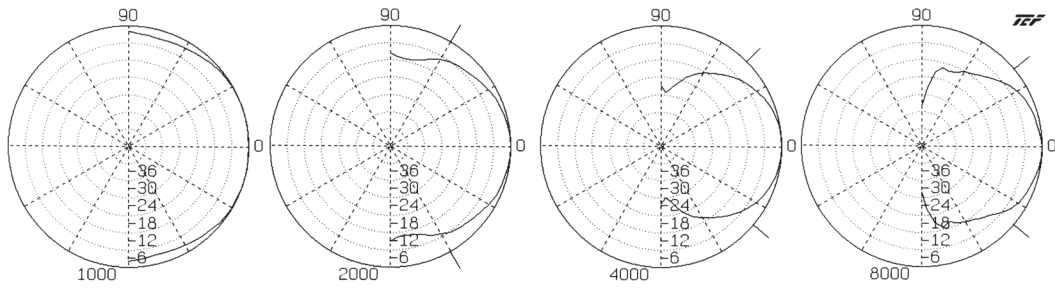
The unit includes a premium quality, state-of-the-art 6" Strategy loudspeaker, the FA136, as well as an enclosure, white grille, and tile bridge in a simple to install package. The FAP62D-USA can be used in conjunction with the AtlasIED FAP62-USA passive Strategy I Series loudspeaker that can connect to the FAP62D-USA using standard 2-strand wiring for increased coverage. The FAP62D-USA can support up to three FAP62-USA.

The FAP62D-USA is assembled in AtlasIED's commercial manufacturing facility in Ennis, TX, one of ten working facilities around the United States by AtlasIED and the Mitek Communications Group.

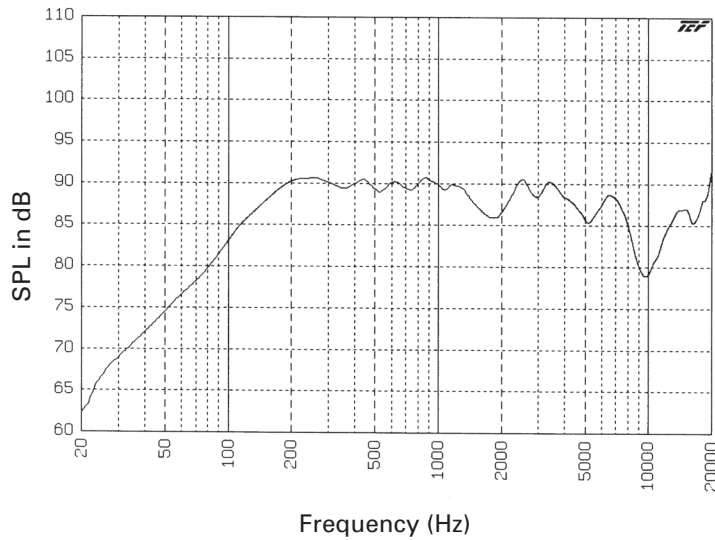
System	
Type	Two way, full range, coaxial ceiling loudspeaker
Operation Mode	Powered, Dante™ Enabled
Operating Range (-10db)	80Hz - 20kHz
Frequency Response (+/- 3dB)	114Hz - 17.8kHz
Vertical Coverage:	130° conical (500 Hz to 6 kHz)
Horizontal Coverage:	130° conical (500 Hz to 6 kHz)
Max Input Ratings (8 ohm)	NA
Transformer Taps - 70V	NA
Transformer Taps - 100V	NA
Directivity Factor (Q)	2.72 @ 2kHz
Directivity Factor (DI)	4.35 @ 2kHz
Input Sensitivity at 1W/1m	88 dB SPL
Max SPL at 1 m (passive)	103.5dB
Recommended Signal Processing	7.8Ω @ 292Hz
Recommended Power Amplification	100-Watts
Crossover Frequency	2200Hz
Transducers	
LF transducer qty and size	1 x 6-inch
LF voice coil size	1-inch
MF transducer qty and size	N/A
MF voice coil size	N/A
HF transducer qty and size	1 x .75-inch Mylar Dome Tweeter
Maximum Output	103.5dB
Nominal Impedance	8 ohms
Minimum Impedance	7.8Ω @ 292Hz
Driver Protection	NA
Enclosure	
Color	Grey
Enclosure Material	Corrosion-resistant Galvanized Steel
Grille Material	Powder coated steel with Safety Line, White Finish, Paintable
Baffle Material	Galvanized CRS
Input Connection	RJ45 / CAT5e Ethernet
Controls	NA
Mounting/Rigging Provisions	3 steel mounting clamps with 2-inch grip range
Safety Features	Safety Hang Point
Safety Agency Ratings	NA
Ingress Protection	IP-X4
Environmental Testing	Salt fog: MIL-STD-810G / Humidity: MIL-STD-810G / High and low temperature: -20° and 50° C
Cutout Diameter	7.1" (177.8mm)
Logo	N/A
Product Dimensions (HxWxD)	9.63" (244.6mm) x 9.76" (247.9mm) Enclosure, Speaker, and Baffle (Width x Depth)
Shipping Dimensions (HxWxD)	12.5" (317.5mm) x 24" (609.6mm) x 15" (381mm)
Net Weight - lbs	14 lbs (6.36kg)
Shipping Weight - lbs	16 lbs (7.27kg)
Warranty Coverage	
Warranty Period	5-Years

©2018 Atlas Sound LP. The Atlas "Circle A" Soundolier, and Atlas Sound are trademarks of Atlas Sound LP. IED is a Registered Trademark of Innovative Electronic Designs LLC. All rights reserved. All other Trademarks are property of their respective owners. No endorsement is implied. Due to continual product development, specifications are subject to change without notice. ATSO05812 RevA 6/18

FA136 Polars (Normalized to Zero on Axis) (-6dB)

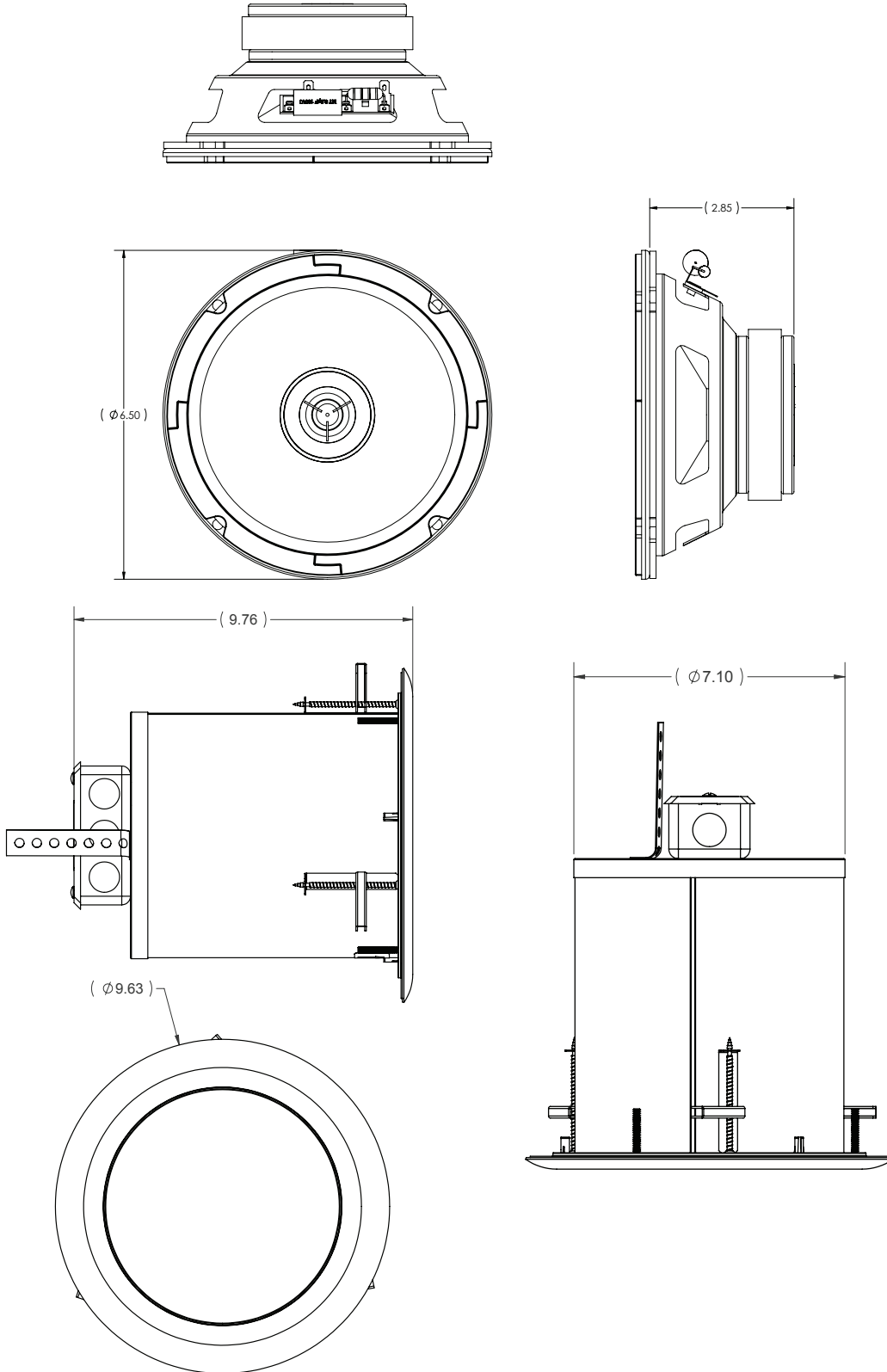


FA136 Frequency Response



©2018 Atlas Sound LP. The Atlas "Circle A" Soundolier, and Atlas Sound are trademarks of Atlas Sound L.P. IED is a Registered Trademark of Innovative Electronic Designs LLC. All rights reserved. All other Trademarks are property of their respective owners. No endorsement is implied. Due to continual product development, specifications are subject to change without notice. ATSO05812 RevA 6/18

Dimensional Drawings



©2018 Atlas Sound LP. The Atlas "Circle A" Soundolier, and Atlas Sound are trademarks of Atlas Sound L.P. IED is a Registered Trademark of Innovative Electronic Designs LLC. All rights reserved. All other Trademarks are property of their respective owners. No endorsement is implied. Due to continual product development, specifications are subject to change without notice. ATSO05812 RevA 6/18

Architect and Engineer Specifications

The loudspeaker system shall be Atlas Sound FAP62D-USA. System shall include a high performance 6" coaxial loudspeaker FA136 acoustically matched FA97-6, and press-fit grille Model FA720-6 for conventional ceiling installation.

Frequency response for the system shall be 63Hz – 20kHz (± 7 dB). Sensitivity shall be 88dB average.

The Speaker System shall be Dante™ enabled and self-powered via PoE and Ethernet port featuring an RJ45 connector.

Enclosure shall be a welded steel enclosure design. Internal volume shall be 475 in³. To facilitate connection in conduit systems, enclosure shall be equipped with a RJ45 connector for network connection. Unit features a one gang utility box for connections.

Seismic support eye shall be provided on top of enclosure for additional suspension point when used in drop tile ceilings. Construction of enclosure shall be a minimum of 18-gauge galvanized metal.

The system shall include a support backing plate to reinforce the ceiling material and tile support rails for use on either 2' x 4' (609mm x 1219mm) or 2' x 2' (609mm x 609mm) suspended ceiling tiles. This assembly can all be installed from beneath the ceiling tile.

Overall front face diameter shall not exceed 12.5" (318mm); overall depth from the bottom of the ceiling shall not exceed 8.48" (215mm).

The loudspeaker shall be the Atlas Sound FAP62D-USA.