

Overview

Studio monitor headphones that reproduce even the most subtle nuances of the source sound.



HPH-MT7



HPH-MT7W

Features

- 40 mm custom drivers with CCAW voice coils deliver a broad frequency range and accurate response
- Closed-back, circumaural design for excellent isolation
- Smooth synthetic leather and large low-resistance cushions ensure stress-free wearability and high levels of isolation
- Three-dimensional arm pivot construction and adjustable slider length alleviate fatigue when working for extended periods
- Moveable earcups allow single-ear monitoring
- Thick ABS housing and rigid die-cast aluminum support-arms for use in the toughest working environments
- Straight 3 m cable suitable for use in a wide variety of applications *6.3 mm diameter standard stereo plug adaptor included
- Convenient carrying bag included

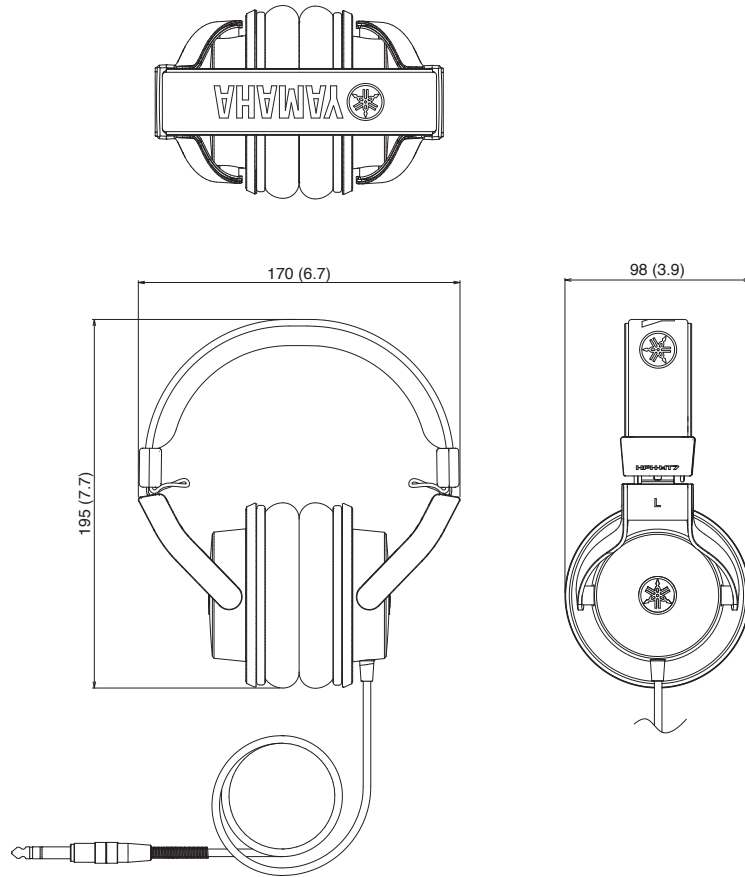
Specifications

General Specifications

Type	Closed-back, Circumaural (Over Ear)
Frequency Response	15Hz - 25kHz
Sound Pressure Level	99dB/mW
Impedance (at 1kHz)	49Ω
Maximum Input Power (at 1kHz)	1600mW
Driver Unit	40mm, Dynamic, CCAW Voice Coil
Cable	3.0m (9.8ft), straight cable
Connector	3.5mm (1/8") stereo with 6.3mm (1/4") stereo adaptor
Dimensions (WxD) without cable & plug	170mm x 195mm x 98mm (6.7" x 7.7" x 3.9")
Net Weight	360g (0.8lbs) *without cable & plug
Accessories	Threaded 6.3mm (1/4") gold-plated adaptor Padded carrying bag

Dimensions

Unit: mm (inch)



Architectural and Engineering Specifications

The headphones shall be for studio monitoring, closed-back and circumaural over ear headphones. The headphones shall consist of a 40mm Dynamic CCAW voice coil. The headphones shall be closed-back, circumaural design. Smooth synthetic leather and low-resistance cushions and three-dimensional arm pivot construction and adjustable slider length shall be provided.

The measured sensitivity shall be 99dB/mW and maximum input power is 1600mW at 1kHz. The frequency range shall be 15Hz to 25kHz. The headphones shall be 49 ohms impedance at 1kHz.

The 3.5mm (1/8") stereo connector with 6.3mm (1/4") stereo adaptor shall be provided. Overall dimensions shall be 170 x 195 x 98mm without cable and plugs and weight no more than 360g with cable and plugs.

The headphones shall be equipped with 3.0m Straight cable, Threaded 6.3mm (1/4") gold-plated adaptor and padded carrying bag.

The studio monitor headphones shall be the Yamaha HPH-MT7 and HPH-MT7W.

*All information subject to change without notice.

*All trademarks and registered trademarks are property of their respective owners.

Created in March, 2017

YAMAHA CORPORATION
P.O.BOX 1, Hamamatsu Japan
www.yamahaproaudio.com