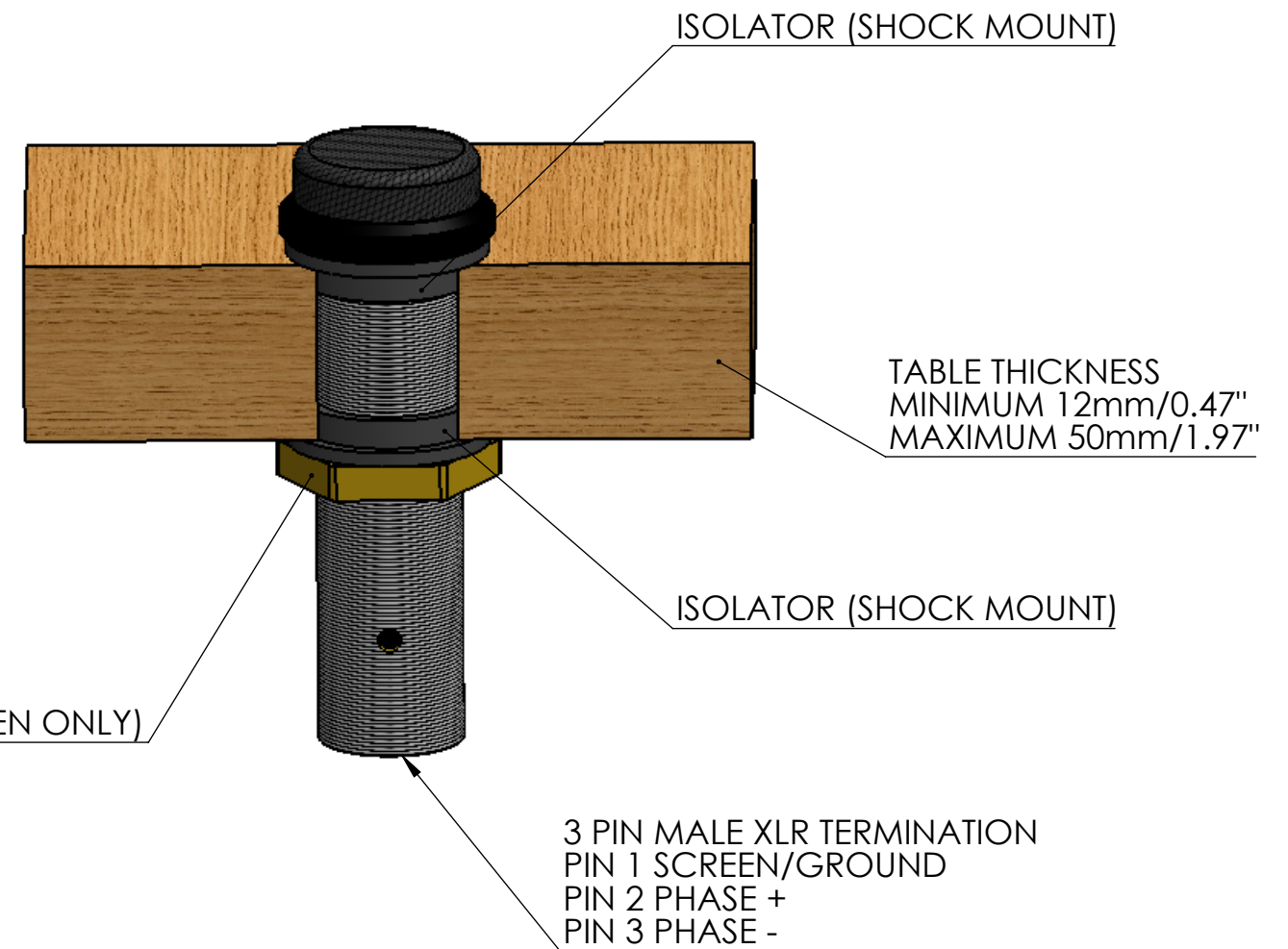


PRE-DRILL HOLE  
24.2mm or 61/64"

C 003E-RF SHOWN FOR ILLUSTRATION  
ALSO APPLICABLE FOR:  
C 004E-RF  
C 011E-RF  
C 012E-RF  
SM 10  
SM 10X5  
SM 20-RF



ISOLATOR (SHOCK MOUNT)

TABLE THICKNESS  
MINIMUM 12mm/0.47"  
MAXIMUM 50mm/1.97"

ISOLATOR (SHOCK MOUNT)

FIXING NUT  
(HAND TIGHTEN ONLY)

3 PIN MALE XLR TERMINATION  
PIN 1 SCREEN/GROUND  
PIN 2 PHASE +  
PIN 3 PHASE -