

IP-DM

IP Wall Mount LCD with Microphone



Features

Network Features

- Dynamic or Static IP Address
- IEEE 802.3 10/100Base-T Ethernet
- IEEE 802.1q Tagging
- IEEE 802.3af and 802.3at Compliant

Audio Codec Support

- G.711 u-law / a-law (16 kbit/s)
- G.722 Wideband Audio (64 kbit/s)

Auto Provisioning

- DHCP Option 66, 150, for TFTP Server
- DHCP Option 72 for HTTP Server

Auto Registration

- SLP for InformaCast
- DHCP Option 72 for Syn-Apps' Revolution

Static Configuration

- HTTP GUI for Static Configuration

Audio Features

- Integrated Amplifier
- Aux Audio Line-In Balanced (2.8Vpp 10K)
- Aux Audio Line-Out Balanced (2.8Vpp 10K)

Additional Features

- 2 General Purpose Inputs
- Cisco SRST
- 1 Relay Output (2A @ 30 VDC)
- Phone / Night Loud Ringer
- External Power Supply Option
- LCD for Clock / Date and Scrolling Text
- Integrated Microphone Allows for Full-Duplex Paging Based on Software Platform

General Description

AtlasIED IP-DM is an indoor wall mount IP endpoint display with integrated talkback microphone. It compliments the Unified Communications (VoIP Communications) investment including on-premises and hosted infrastructure platforms so that information can be pushed to spaces beyond the world of desktop telephony communication and where visual messaging is required to overcome high ambient noise and / or large spaces.

Applications

Model IP-DM registers as communication endpoint directly within InformaCast, GCK, and Syn-Apps' Revolution advanced notification applications, supporting message broadcasts to enhance physical security while improving day-to-day communications through advanced alerting, bell schedules, pre-recorded & scheduled announcements, while leveraging the WAN or LAN network architecture.

Model IP-DM is a wall mount LCD that can display time as well as scrolling text. The unit also includes an integrated microphone that enables full-duplex paging and communication based on the software platform deployed to control the unit. The LCD supports time and date functionality from NTP as well as scrolling text messages.

The IP-DM contains a PoE powered amplifier that can support up to two analog 8Ω speakers that will enable the IP-DM to support announcements or intercom.

System	
Type	IP LCD with Talkback Microphone
Operation Mode	PoE, PoE+, or 24VDC
Indicators	Network Status (On Back)
General Purpose Interface	Two Trigger Inputs / One Relay Output (2A @ 30 VDC)
Amplification	
Type	Single-Channel Class D Topology
AC Power Input	PoE or PoE+ and External 24VDC
Power Rating (RMS)	12 Watts Max (802.3af) / 25 Watts Max (802.3at)
THD	<0.2%
Cooling	Passive / Convection
Microphone	
Sensitivity	Minus 35 (±4dB) / (0db = 1V/pa, 1kHz)
Impedance	Less than 2.2kΩ
Directivity	Omnidirectional
Frequency Range	20Hz – 20kHz
Standard Operation Voltage	2V
Max. Operation Voltage	10V
Current Consumption Max.	0.5 mA
Sensitivity Reduction Within	Minus 3dB @ 1.5V
S/N Ratio	More than 62dB
Audio Inputs and Outputs	
Input: Analog Audio Type(s)	One Balanced Analog
Input: Analog Connectivity	Secured Screw Terminal Block
Input: Network Audio Type(s)	G.711 U-Law / A-Law and G.722 Capable
Input: Network Connectivity	RJ-45 Female
Output: Analog Audio Type(s)	One Balanced Line Level
Output: Analog Connectivity	Secured Screw Terminal Block
Output: Digital Audio Type(s)	G.711 U-Law / A-Law and G.722 Capable Multicast
Output: Digital Connectivity	N/A
Output: Speaker Level	12 Watts Max (802.3af) / 25 Watts Max (802.3at)
Output: Speaker Connectivity	Two x Secured Screw Terminal Block
Display	
Display Type	High Resolution Back-Lit Color LCD
Display Color Range	Backlit Display - Red, Blue, Green - (With GCK) Standard - Blue Text White
Surface Lumens	1900 cd/m ² Minimum, All White Pixels
Character Max Height	480 Pixels
Viewable Dimensions (HxW)	8.66" (221mm) x 2.23" (57mm)
Control	Time via NTP - Text Controlled via Software
Software	
GCK Compatible Version	3.0+
InformaCast Advanced Compatible Version	8.0+
InformaCast Fusion Compatible Version	3.0+
SA-Announce Compatible Versions	9.0.18+

©2019 Atlas Sound LP. The Atlas "Circle A", Soundolier, and Atlas Sound are trademarks of Atlas Sound LP. IED is a Registered Trademark of Innovative Electronic Designs LLC. All rights reserved. All other Trademarks are property of their respective owners. No endorsement is implied. Due to continual product development, specifications are subject to change without notice. ATSO05876 RevC 2/19

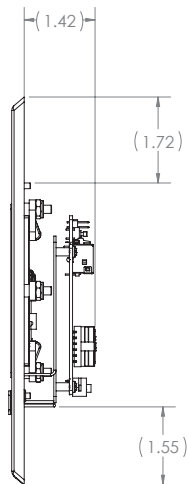
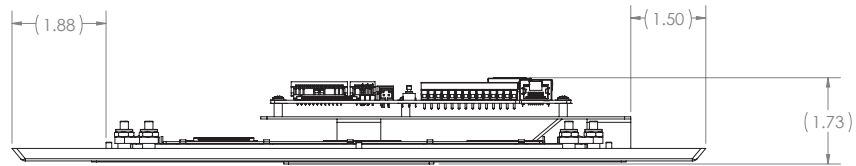
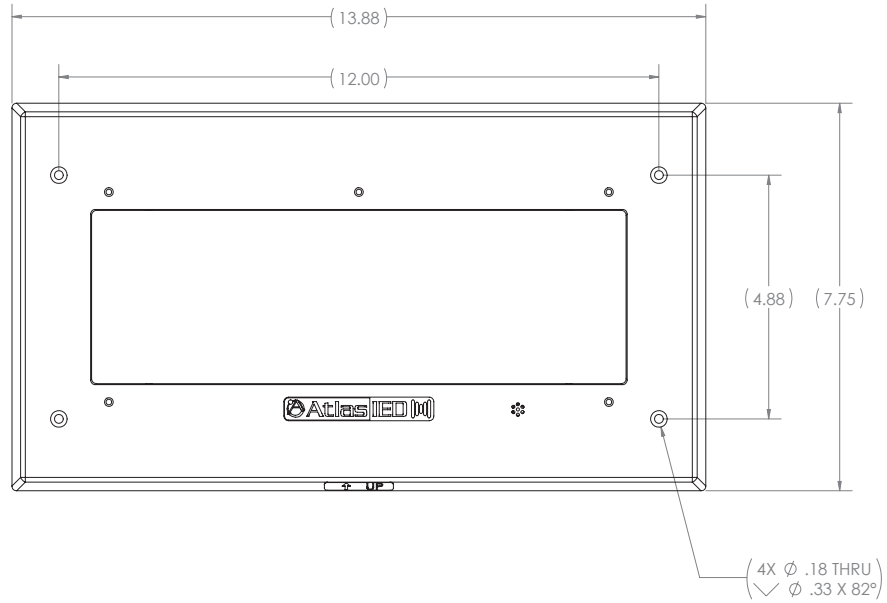
Network	
Ethernet	IEEE 802.3 10/100Base-T
PoE	IEEE 802.3 AF/AT Compliant
VLAN	IEEE 802.1q Tagging
Protocols	
IP Addressing	DHCP / Static
Auto-Provisioning	HTTP / TFTP
Auto-Registration	HTTP / Service Location Protocol / IEDNet
Time	NTP
Telephony	SIP
Enclosure	
Color	White
Mounting / Rigging Provisions	4 x Screws, Optional Surface or Flush Mount Enclosures
Safety Agency Ratings	ETL Listed to Comply with 62368-1, CSA C22.2 #62368-1, IEC 62368-1 CB Scheme and FCC
Ingress Protection	N/A
Logo	Black and Silver
Product Dimensions (HxWxD)	13.88" x 7.75" x 1.73" (353mm x 197mm x 44mm)
Shipping Dimensions (HxWxD)	15.9" x 10" x 6" (404mm x 254mm x 152mm)
Net Weight - lbs	2.52lb (1.14kg)
Shipping Weight - lbs	3.43lb (1.56kg)
Warranty Coverage	
Warranty Period	1 Year

NOTES:

1. Sensitivity: Half space pink noise measurement at 6 ft (1.8 m) at 20% power; extrapolated to 1 meter and an input of 2.83 volts RMS.
2. Watts: All wattage figures are calculated using the rated nominal impedance.
3. Frequency response and sensitivity are half-space measurements.

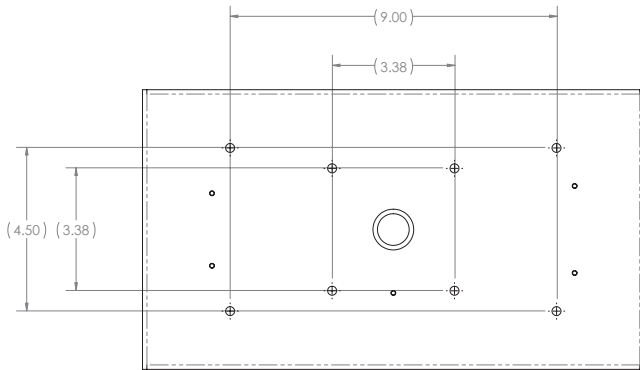
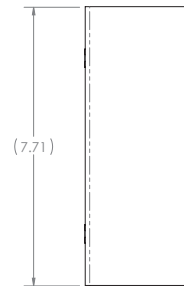
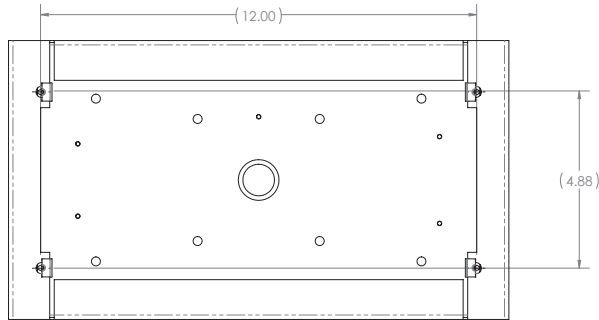
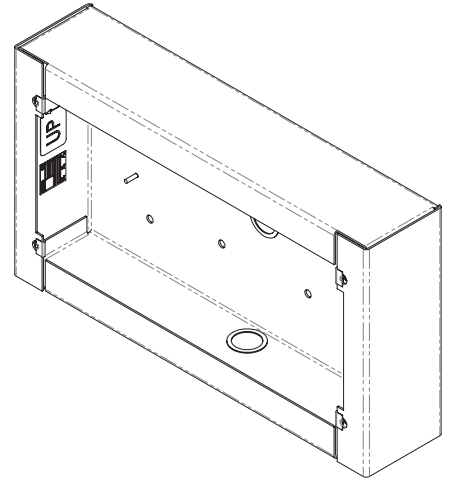
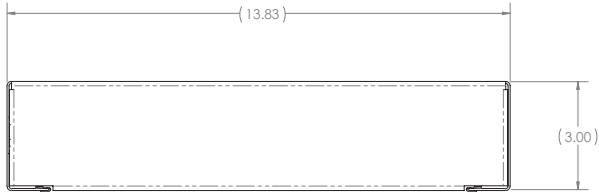
©2019 Atlas Sound LP. The Atlas "Circle A", Soundolier, and Atlas Sound are trademarks of Atlas Sound L.P. IED is a Registered Trademark of Innovative Electronic Designs LLC. All rights reserved. All other Trademarks are property of their respective owners. No endorsement is implied. Due to continual product development, specifications are subject to change without notice. ATSO05876 RevC 2/19

Dimensional Drawings



Accessories

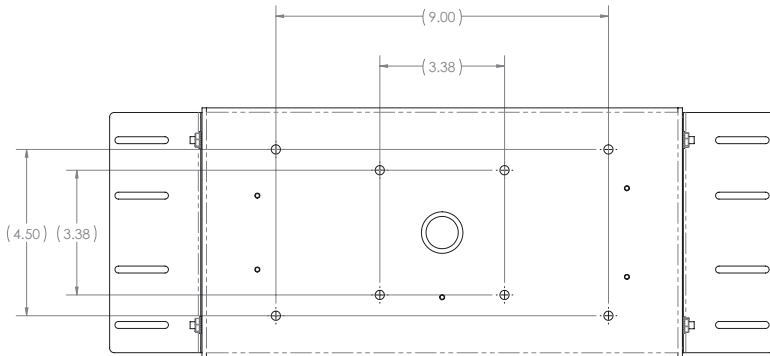
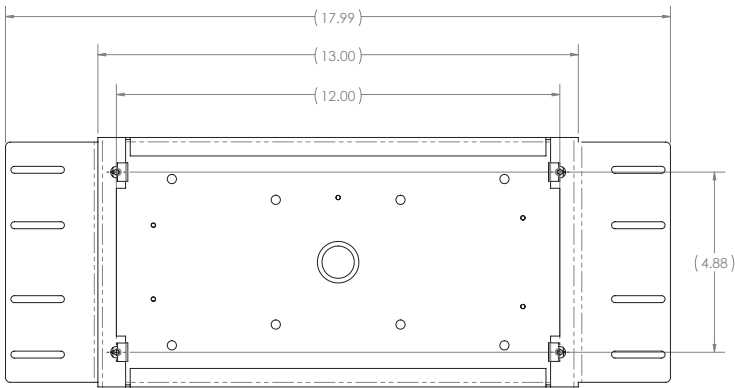
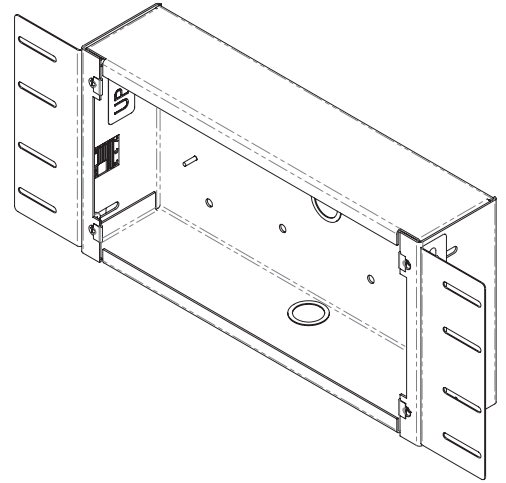
IP-SEC-DM



©2019 Atlas Sound LP. The Atlas "Circle A", Soundolier, and Atlas Sound are trademarks of Atlas Sound L.P. IED is a Registered Trademark of Innovative Electronic Designs LLC. All rights reserved. All other Trademarks are property of their respective owners. No endorsement is implied. Due to continual product development, specifications are subject to change without notice. ATSO05876 RevC 2/19

Accessories

IP-FEC-DM



Architect and Engineer Specifications

The unit shall be AtlasIED model IP-DM. The PoE+ Indoor IP Endpoint Visual System shall consist of a factory assembled wall mountable LCD display that shall show time as well as scrolling text. The unit shall incorporate an integrated microphone to allow full duplex talkback communication functionality based upon chosen software platform.

The amplifier / control board shall receive announcements and messages using dynamically routed data on a standard Ethernet Network. It shall include a Single-Channel Class D Topology amplifier with Primary and Secondary Outputs capable of producing 25-watts RMS when using an IEEE 802.3at compatible PoE+ switch or 24VDC local power supply and 12-watts RMS when used with an IEEE 802.3af compliant PoE switch. Interconnect shall be via female RJ-45 connector mounted to the PCB.

The amplifier / control board shall include (2) logic inputs, (1) relay output, (1) Auxiliary Unbalanced line level audio input and (1) Unbalanced line level audio output. The Auxiliary Line Level input shall include an auto mute function that is activated when a broadcast is sensed from the control application.

The amplifier / control board shall include a Graphical User Interface (GUI) for SIP configuration. The SIP implementation shall support standards G.711, G.722 and RTP protocols. The Graphical User Interface (GUI) shall configure and manage logic inputs, relay outputs, and Auxiliary audio input.

The unit shall incorporate a High-Resolution Back-Lit color LCD display with viewable dimensions of 8.66" (221mm) wide x 2.23" (57mm) high. It shall receive visual notifications by AtlasIED's GCK, Syn-Apps' Revolution, Singlewire's InformaCast software platforms. It shall display time when in standby mode from AtlasIED's GCK, Syn-Apps' Revolution, Singlewire's InformaCast software platforms or by NTP. The display shall produce 1900 cd/m² lumens brightness and display text and/or time.

All control functionality shall be determined via software. It shall be compatible with AtlasIED's GCK, Syn-Apps' Revolution, Singlewire's InformaCast software platforms and SIP standalone operation. The Indoor IP Endpoint Visual System overall dimensions shall be 13.88" (353mm) x 7.75" (197mm) x 1.73" (44mm) HxWxD. Finish shall be neutral white electrostatic powder coat.

Optional enclosures shall include:

IP-SEC-DM	Surface mount enclosure for IP-DM neutral white finish
IP-FEC-DM	Flush mount enclosure for IP-DM reclaimed powder coat finish