



### Preparation

- A) Determine structurally sound hang point for enclosure.
- C) Upward-firing Operation: Use as shipped.
- D) Downward-firing Direction: Position chain bridle with baffle and attachment points on bottom of assembly.

### Termination

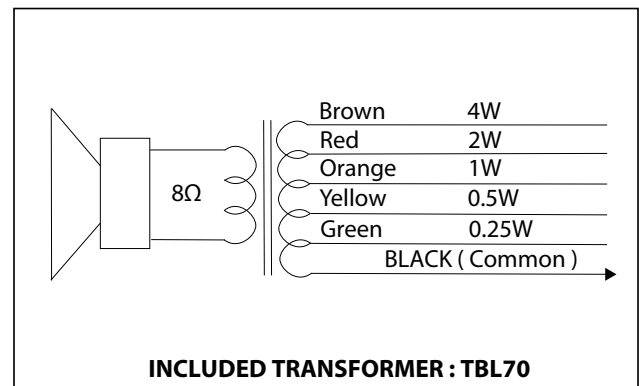
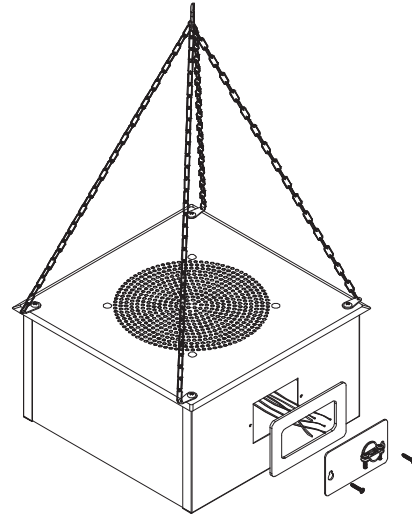
Steps A-B – Required only if using conduit clamp fitting **other than what is provided** with product.

- A) **Loosen, but do not remove screws** on cover plate; push up and remove plate from assembly.
- B) **Remove cable/conduit clamp fitting from plate;** Install UL Listed metallic enclosure entry fitting for plenum cable or flex whip.
- C) **Feed supply cable through whip to connector.** Make connections per wiring diagrams at right; **insulate all unused taps from each other and enclosure.** When cover plate is secured, all connections/splices and unused leads must be inside of the enclosure.

### Installation

**NOTE!** AHJ/ local codes may require secondary **tie-off to structure.**

- A) Tie-off longer length of supplied chain to structurally sound hang point, hang enclosure to chain with supplied “S” hooks and bridle points.



Recommended construction sequences, installation instructions, and A&E Specifications are available in various formats in the QUAM Architects' and Engineers' Resources section on the web at:  
[www.QuamSpeakers.com](http://www.QuamSpeakers.com)

© 2014 Quam-Nichols Company reserves the right to make changes and/or improvements to its products at any time and without notice.



QUAM-NICHOLS COMPANY, INC.  
234 East Marquette Rd.  
Chicago, IL. 60637  
Tel: 1-800-NEED-NOW (800-633-3669)  
Fax: 1-888-NEED-NOW (888-633-3669)  
e-mail: [NeedNow@QNC.com](mailto:NeedNow@QNC.com)  
[www.QuamSpeakers.com](http://www.QuamSpeakers.com)