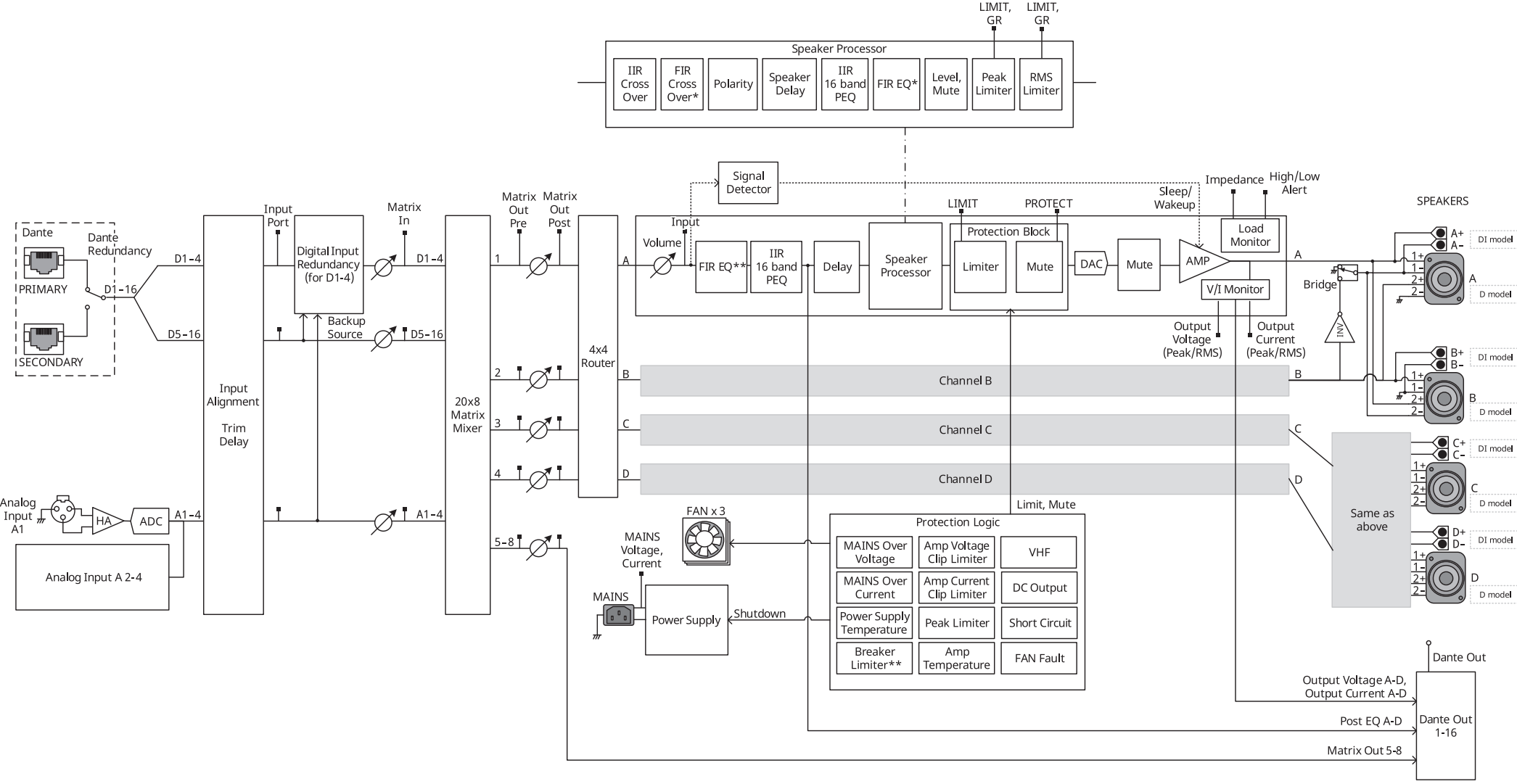


PC412-D/PC406-D/PC412-DI/PC406-DI

Block Diagram



* Can be configured only by recalling Speaker Preset data.
 ** Available in future firmware release.