

The PJ-304 is a projection speaker designed for ceiling and wall installations. Considered in architectural design, it can blend in with lighting equipment. The supplied swivel bracket allows for flexible speaker angle adjustment. The PJ-304 is driven on both high-impedance (100 V and 70 V) and low-impedance (8 #) lines. The input power (impedance) can be easily changed at the upper side of the speaker. The speaker is easy to repaint so as to meet a wide range of design needs.

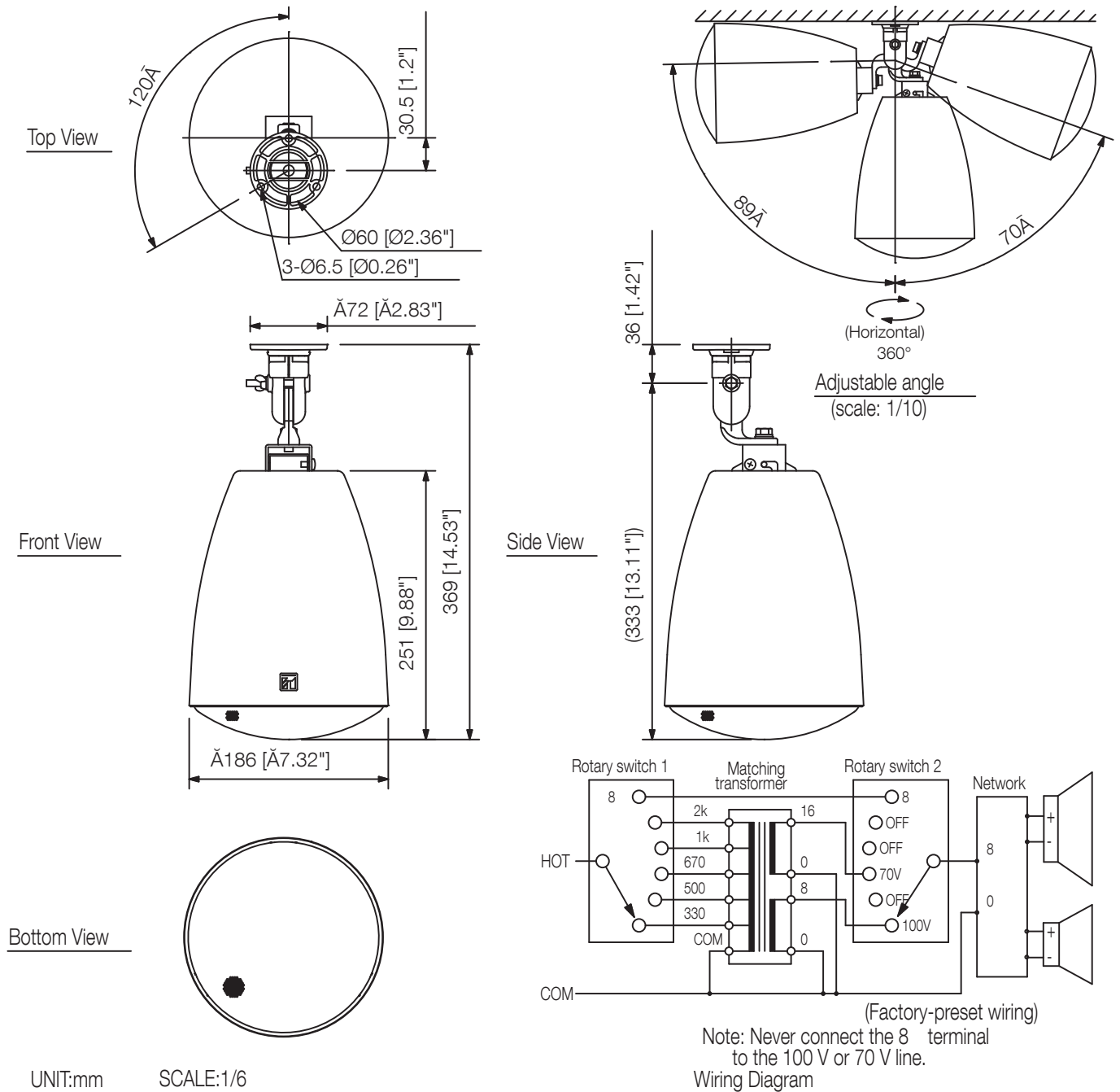


Order no: PJ-304

### Specifications

Frequency response	70 Hz - 20 kHz
Sensitivity (1#V, 1#n) (combined)	91 dB
Speaker component	12 cm cone-type + balanced dome tweeter
Rated input	30 W
Tappings	100V line: 330 Ω (30W), 500Ω (20W), 670Ω (15W), 1kΩ (10W), 2kΩ (5W) 70V line: 170Ω (30W), 250Ω (20W), 330Ω (15W), 500Ω (10W), 1kΩ (5W) Low impedance: 8Ω
Dimensions (W x H x D)	x 369
Dimensions (ø x D)	186
Finish	HIPS resin, off-white (RAL 9010 or equivalent)

### Appearance



UNIT:mm

SCALE:1/6