



PURERESONANCEAUDIO®

C6 6.5" CEILING MOUNT SPEAKER

INSTALLATION AND OPERATION MANUAL




Caution: Please read this manual carefully before operating.
Damage caused by misuse is not covered by the warranty.


SAFETY PRECAUTIONS

- Be sure to read the instructions in this section carefully before use. The included conventions of safety symbols and messages are regarded as essential precautions.
- We recommend you keep this instruction manual handy for future reference.

SAFETY SYMBOL AND MESSAGE CONVENTIONS

Safety symbols and messages described below are used in this manual to prevent bodily injury and property damage that could result from mishandling. Before operating this product, read this manual first and understand the safety symbols and messages to be thoroughly aware of the potential safety risks.

 **WARNING!** Indicates a potentially hazardous situation that, if mishandled, could result in death or serious personal injury.

 **CAUTION!** Indicates a potentially hazardous situation that, if mishandled, could result in moderate or minor personal injury and/or property damage.

WARNING!

IMPORTANT SAFETY INSTRUCTIONS

*****THIS PRODUCT MUST BE INSTALLED BY A QUALIFIED TECHNICIAN.
THE PROVIDED INSTALLATION HARDWARE MUST BE USED TO INSTALL THIS PRODUCT.
SPEAKER UNIT MUST BE ATTACHED BY A SAFETY CABLE!*****

Pro Acoustics is not responsible for the structural integrity of the installation. Please ensure a qualified technician installs this product and the building's engineer, or architect has approved the equipment and installation.

1. Install following all safety standards and regulations.
2. DO NOT allow any water exposure to speakers.
3. Ensure that no damage to the speaker wire is present when installing. Frayed or unterminated wires can lead to electrical or fire danger. When preparing wires, make sure your amplifier is turned off & unplugged.
4. AVOID instability in the installation or set up of speakers to avoid personal injury or property damage.
5. Confirm the area where the speaker will be installed is structurally sound without signs of damage or structural issues.
6. DO NOT plug in the speaker while hands are wet. It may lead to electric shock.
7. MAKE SURE to pull plugs rather than pull wires. Using strained or damaged speaker wire may cause fire or electric shock.
8. When connecting/disconnecting speakers, take care to remove the speaker connector without pulling out the wires. Contact with bare wires when energized can lead to electrical shock.
9. AVOID installing speakers in humidity or dust, direct contact with the sun, near electric, smoke, or steam. It May cause fire or electric shock.

*WARNING: This apparatus must be securely attached following the installation instructions to prevent injury. No naked flame sources – such as candles – should be placed close to the product.

*CAUTION: Changes or modifications not expressly approved by the manufacturer could void the user's warranty.

INTRODUCTION

DESCRIPTION

The Pure Resonance Audio C6 is a 6.5" 2-way high-performance ceiling mount loudspeaker in a compact design. This 70V ceiling speaker delivers full-range high-quality sound ideal for background music or paging in commercial environments. With a built-in 30-watt 70-volt transformer and an 8-ohm bypass, the C6 is perfect for a wide range of applications, including business offices, retail stores, restaurants, classrooms, and conference rooms. The ABS enclosure with an iron back barrel contains a 6.5" polypropylene woofer and an adjustable 1" silk tweeter with a bezel-less magnetic iron grill.

FEATURES

- Seamlessly blends into the ceiling with the bezel-less magnetic grill
- 70 Volt / 100 Volt transformer with 8Ω bypass
- Power tap switch located on the front of the speaker for easy access
- 88 dB sensitivity provides quality sound
- Wide frequency range and 30-watt power handling capability
- 6.5" woofer and 1" adjustable tweeter
- Recessed 4-pin Euroblock screw terminal connector

SPECIFICATIONS

RMS Power Rating	30 Watt
Frequency Response	90Hz - 17kHz
Impedance	8 Ohms
Transformer Taps	1.8W, 3.75W, 7.5W, 15W, 30W @ 70V 3.75W, 7.5W, 15W, 30W @ 100V
Low-Frequency Driver	6.5" Woofer
High-Frequency Driver	1" Adjustable silk driver
Speaker Cone Material	Polypropylene (PP)
Sensitivity SPL	88±3dB @ 1W/1 m
Material	ABS, iron back barrel, and powder-coated iron mesh grill
Cutout Size	9.45" (240 mm)
Dimensions (Dia x D)	10.51" (267 mm) x 6.38" (162 mm)
Weight	7.28 lbs (3.3 kg)
Shipping Dimensions	12.4" (315 mm) x 12.2" (310 mm) x 9.65" (245 mm)
Shipping Weight	9.48 lbs (4.3 kg)

INSTALLATION & OPERATION GUIDE

SPEAKER PLACEMENT

- If you desire music over a wide area, it is best to have a larger number of speakers playing at low volume, rather than a few speakers playing at high volume. Keep this in mind when designing your system.
- Ideally, you should place the speakers as close to the primary listening area as possible. The perceived volume of the speaker decreases rapidly as it is moved further from the listener.

CONNECTING THE SPEAKER TO YOUR SYSTEM

1. The 4-pin Euroblock plug allows for speaker wire input as well as speaker wire output to easily daisy chain speakers in 70V applications.
2. Determine the locations for the speakers and estimate the length of the additional wire you will need for each speaker.
3. Connect the speaker wires from your amplifier to the ceiling speakers.

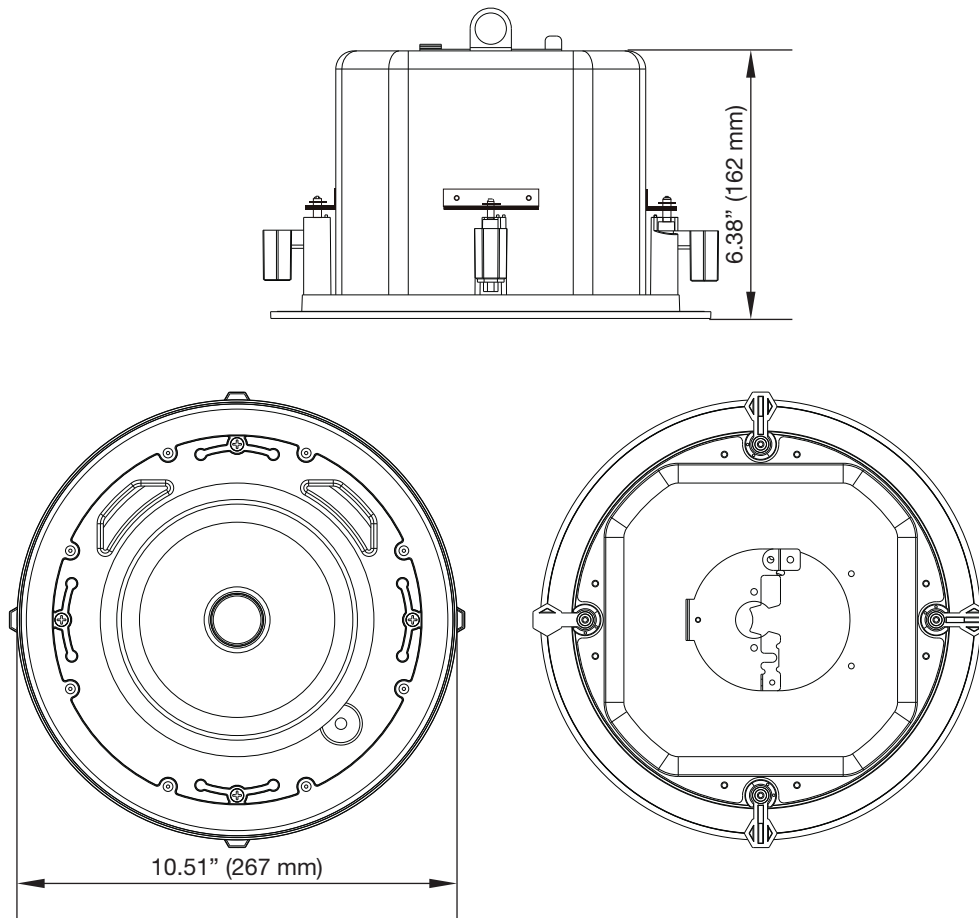
IMPORTANT: Be sure not to let any stray “+” and “-” strands touch each other. Touching strands can cause a short circuit that could damage the amplifier.

PLEASE NOTE:

Confirm that you have connected the speaker “+” to the amplifier “+” and the speaker “-” to the amplifier “-”.

4. Turn your amplifier on and test the system with your favorite music.

DIMENSIONS



BASIC SPEAKER INSTALLATION - 70 VOLT SYSTEMS AND APPLICATIONS

Figure 1.

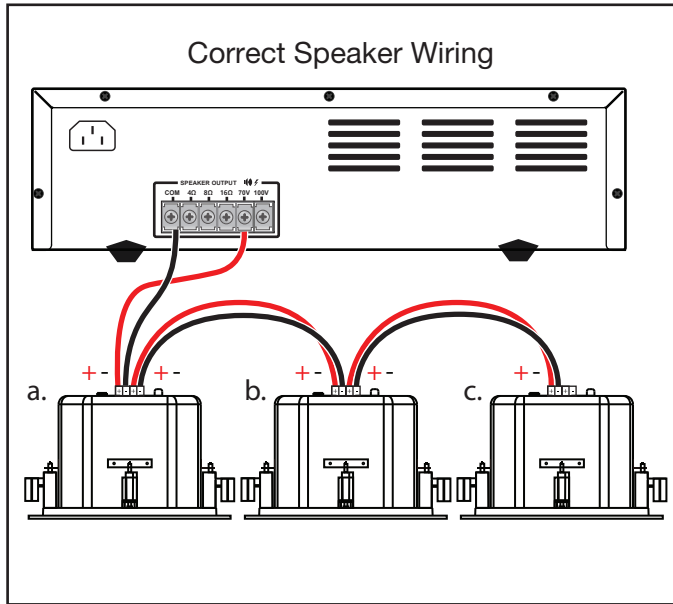
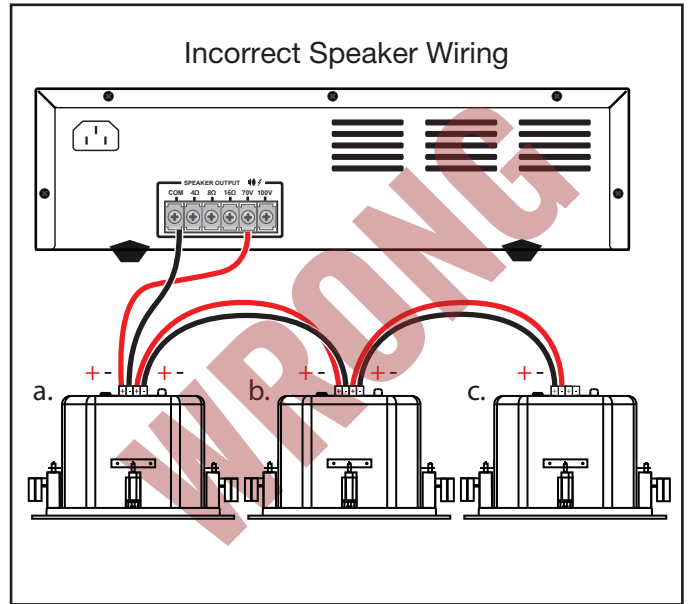


Figure 2.



Be careful not to cross wires when installing your speakers. Wiring should always be negative to negative and positive to positive (Figure 2. shows speaker c. wired incorrectly).

BASIC ATTENUATOR/VOLUME CONTROL INSTALLATION

Figure 3.

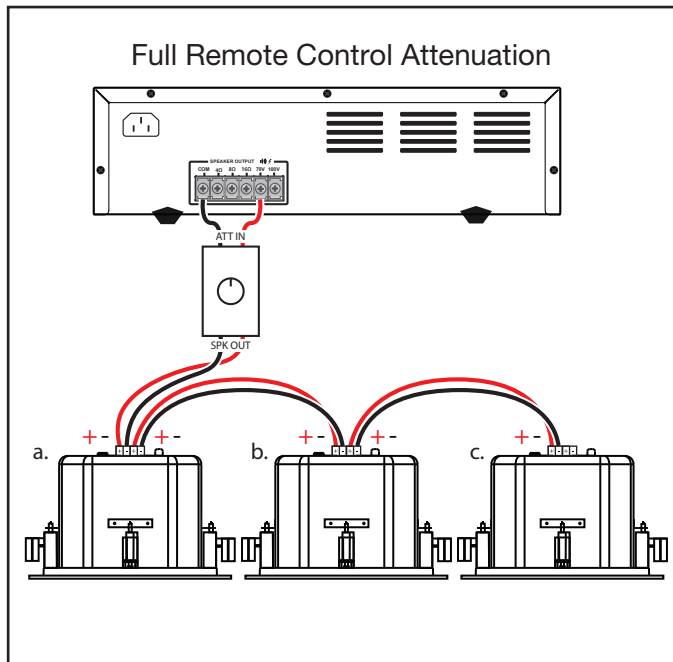
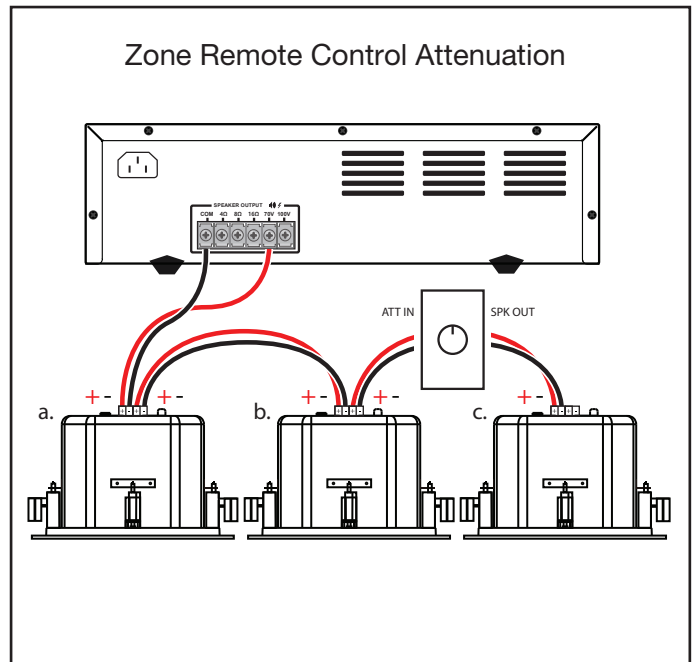


Figure 4.



SERVICE

Ensure the problem is not related to operator error, or system devices that are external to this unit. Information provided in the troubleshooting portion of this manual may help with this process. Once it is certain that the problem is related to the product contact your warranty provider as described in the warranty section of this manual.

LIMITED WARRANTY

PRO ACOUSTICS, LLC. ("PRO ACOUSTICS") warrants this product to the original purchaser to be free from defects in materials and workmanship (subject to the terms set forth below), for the following periods from the date of purchase.

THIS WARRANTY COVERS THE LISTED PRODUCTS AGAINST DEFECTS IN MATERIALS OR WORKMANSHIP FOR THE FOLLOWING PERIOD

Warranty Terms

Speakers	2 Years
Amplifiers & Electronics	1 Year
Microphones	1 Year
Accessories	1 Year

PRO ACOUSTICS will repair or replace (at PRO ACOUSTICS's option) this product or any defective parts (excluding electronics and amplifiers) in this product.

Your authorized PRO ACOUSTICS dealer will inspect the product and, if your dealer is not equipped to perform the repair of your PRO ACOUSTICS product, they will replace your product or return it to PRO ACOUSTICS for repair, at their discretion. Proof of purchase in the form of a bill of sale or receipted invoice, which is evidence that this product is within the warranty period, must be presented to obtain warranty service.

This warranty is invalid if the factory applied serial number has been altered or removed from this product. This warranty is invalid if this product was not purchased from a PRO ACOUSTICS authorized dealer. Cosmetic damage or damage due to the accident, acts of God, misuse, abuse, negligence, commercial use, or modification of, or to any part of, the product are not covered in this warranty. This warranty does not cover damage due to improper operation, maintenance or installation, or attempted repair by anyone other than PRO ACOUSTICS or a PRO ACOUSTICS dealer which is authorized to do PRO ACOUSTICS warranty work. Any unauthorized repairs will void this warranty.

This warranty does not cover products sold as is.

REPAIRS OR REPLACEMENTS AS PROVIDED UNDER THIS WARRANTY ARE THE EXCLUSIVE REMEDY OF THE CONSUMER/PURCHASER. PRO ACOUSTICS U.S.A. SHALL NOT BE LIABLE FOR ANY INCIDENTAL OR CONSEQUENTIAL DAMAGES FOR BREACH OF ANY EXPRESS OR IMPLIED WARRANTY ON THIS PRODUCT. EXCEPT TO THE EXTENT PROHIBITED BY LAW, THIS WARRANTY IS EXCLUSIVE AND IN LIEU OF ALL OTHER EXPRESS AND IMPLIED WARRANTIES WHATSOEVER, INCLUDING BUT NOT LIMITED TO, THE WARRANTY OF MERCHANTABILITY AND FITNESS FOR A PRACTICAL PURPOSE.

This warranty gives you specific legal rights. You may have other rights which vary from state to state.

PURE RESONANCE AUDIO®

(866) 676-7804

sales@pureresonanceaudio.com

www.PureResonanceAudio.com

Specifications may change without notice.