



PURERESONANCEAUDIO[®]

H6 6.5" HORN LOUDSPEAKER

INSTALLATION AND OPERATION MANUAL



Caution: Please read this manual carefully before operating.
Damage caused by misuse is not covered by the warranty.

SAFETY PRECAUTIONS

- Be sure to read the instructions in this section carefully before use. The included conventions of safety symbols and messages are regarded as essential precautions.
- We recommend that you keep this instruction manual handy for future reference.

SAFETY SYMBOL AND MESSAGE CONVENTIONS

Safety symbols and messages described below are used in this manual to prevent bodily injury and property damage that could result from mishandling. Before operating this product, read this manual first and understand the safety symbols and messages so you are thoroughly aware of the potential safety risks.



WARNING!

Indicates a potentially hazardous situation which, if mishandled, could result in death or serious personal injury.



CAUTION!

Indicates a potentially hazardous situation which, if mishandled, could result in moderate or minor personal injury, and/or property damage.



WARNING!

IMPORTANT SAFETY INSTRUCTIONS

*****THIS PRODUCT MUST BE INSTALLED BY A QUALIFIED TECHNICIAN.
THE PROVIDED INSTALLATION HARDWARE MUST BE USED TO INSTALL THIS PRODUCT.*****

Pro Acoustics is not responsible for the structural integrity of the installation. Please ensure that a qualified technician installs this product and that the building's engineer or architect has approved the equipment and installation.

- To prevent injury, this product must be securely attached as per the installation instructions.
- DO NOT install near electricity, smoke, steam, or any heat source such as stoves, radiators, heat registers, amplifiers, or other apparatuses producing heat.
- DO NOT place any naked flame sources, such as candles, close to the product.
- DO ensure that the speaker wire is not damaged when installing. Frayed or unterminated wires can lead to electrical or fire danger.
- DO NOT connect the speaker while your hands are wet, as this may lead to electric shock.
- USE hardware and accessories as indicated by the manufacturer.
- REFER all servicing to qualified service personnel. Servicing is required when the speaker is damaged in any way, does not operate normally, or has been dropped.

*No user-serviceable parts inside. Refer all servicing to qualified service personnel.

*Changes or modifications not expressly approved by the manufacturer could void the user's warranty.



CAUTION!

Although these speakers are designed to withstand the elements, you should take precautions to optimize their long-term performance.

- If soil or dust accumulates on the grill, it can be rinsed away with low water pressure.
- Chemicals commonly used outdoors can damage the speaker. Avoid spraying such chemicals onto or near the speaker.
- When the speaker is installed on a wall, ensure the structure can structurally support the speaker's weight and mounting hardware and that the speaker is firmly attached.

DESCRIPTION

The Pure Resonance Audio H6 is a robust and durable 2-way horn loudspeaker designed for clear voice reproduction and wide dispersion, making it ideal for applications where voice intelligibility over long distances is essential. This speaker horn is built to withstand harsh environmental conditions with an IP66 rating. It features a 6.5" woofer and a 1" tweeter, along with a built-in 60W 70V/100V multi-tap transformer with a 4-ohm bypass. Perfect for paging and public address in small stadiums, schools, warehouses, parks, docks, and other indoor or outdoor commercial applications.

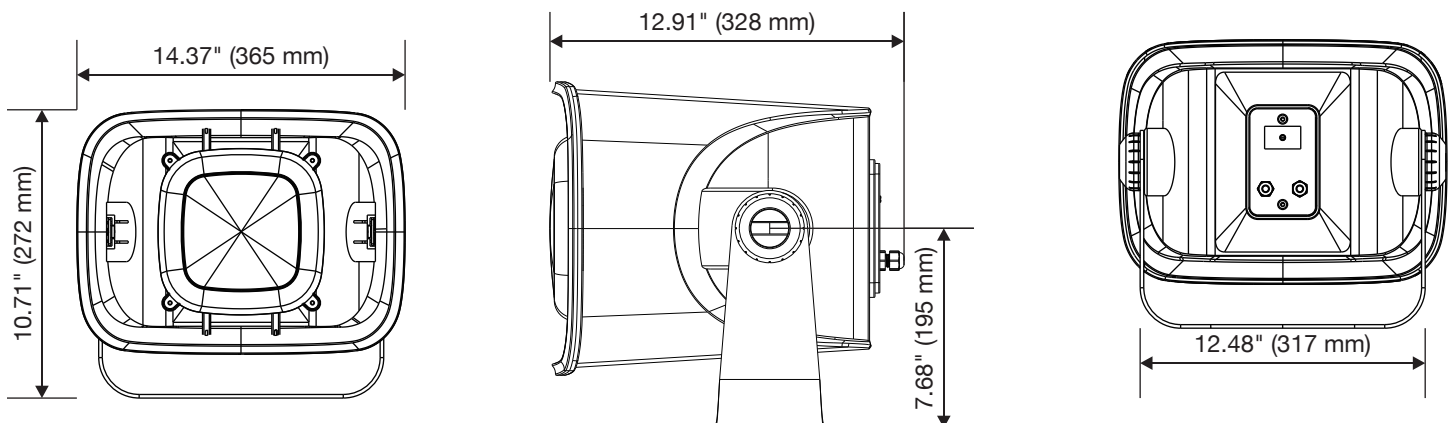
FEATURES

- Robust construction for long-term durability
- Excellent voice reproduction
- 60 Watt 70 Volt / 100 Volt transformer with 4Ω bypass
- 93 dB Sensitivity provides high-output sound
- 6.5" Horn driver and 1" high-frequency driver
- Highly weatherproof IP66 rated
- 90° x 90° broad dispersion pattern
- Weather-safe connection with a recessed terminal block and waterproof cover
- Heavy-duty mounting bracket included for secure installation

SPECIFICATIONS

Power Rating	60 Watts RMS; 120 Watts Peak
Frequency Response (± 10 dB)	120Hz - 18kHz
Sensitivity (@ 1w/1m)	93 dB
Max SPL	110 dB
Dispersion	90° x 90°
Impedance	4 Ohms
Transformer Taps	70V: 7.5W, 15W, 30W, 60W 100V: 15W, 30W, 60W 4 Ohm Bypass
Woofers	6.5" Paper
Tweeter	1" ABS/Glass Fiber
Material	Polypropylene + calcium carbonate enclosure
Protection Rating	Weatherproof IP66
Connection	Bare wire
Mount	Aluminum mounting bracket
Mounting Holes	3 x 10 mm (Distance between each hole is 80 mm)
Dimensions (HxWxD)	10.71" (272 mm) x 14.37" (365 mm) x 12.91" (328 mm)
Weight	13.78 lbs (6.25 kg)
Shipping Dimensions (HxWxD)	17.52" (445 mm) x 17.52" (445 mm) x 13.39" (340 mm)
Shipping Weight	17.64 lbs (8 kg)

DIMENSIONAL DIAGRAMS

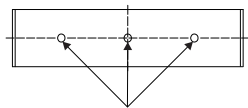


INSTALLATION & OPERATION GUIDE

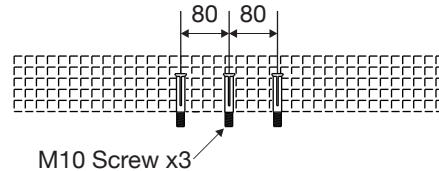
SPEAKER INSTALLATION INSTRUCTIONS

1. First, use the mounting bracket as a guide to mark and drill three mounting holes.
2. Insert an M10 bolt into each hole.
3. Align the holes on the bracket with the M10 bolts in the wall and secure the bracket with the M10 nuts.
4. Finally, attach the speaker to the bracket using the provided bolts and apply the bolt caps to finish the installation.

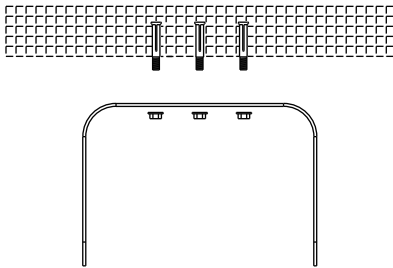
Step 1.



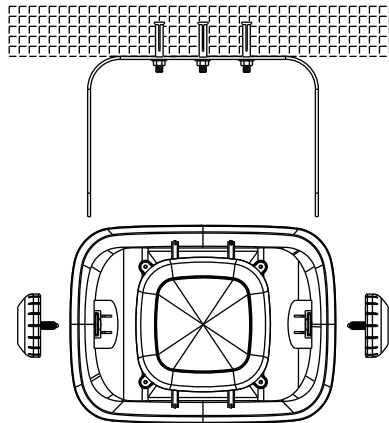
Step 2.



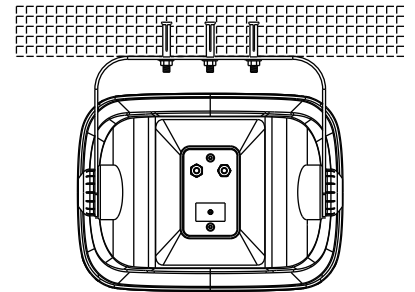
Step 3.



Step 4.



Finished.

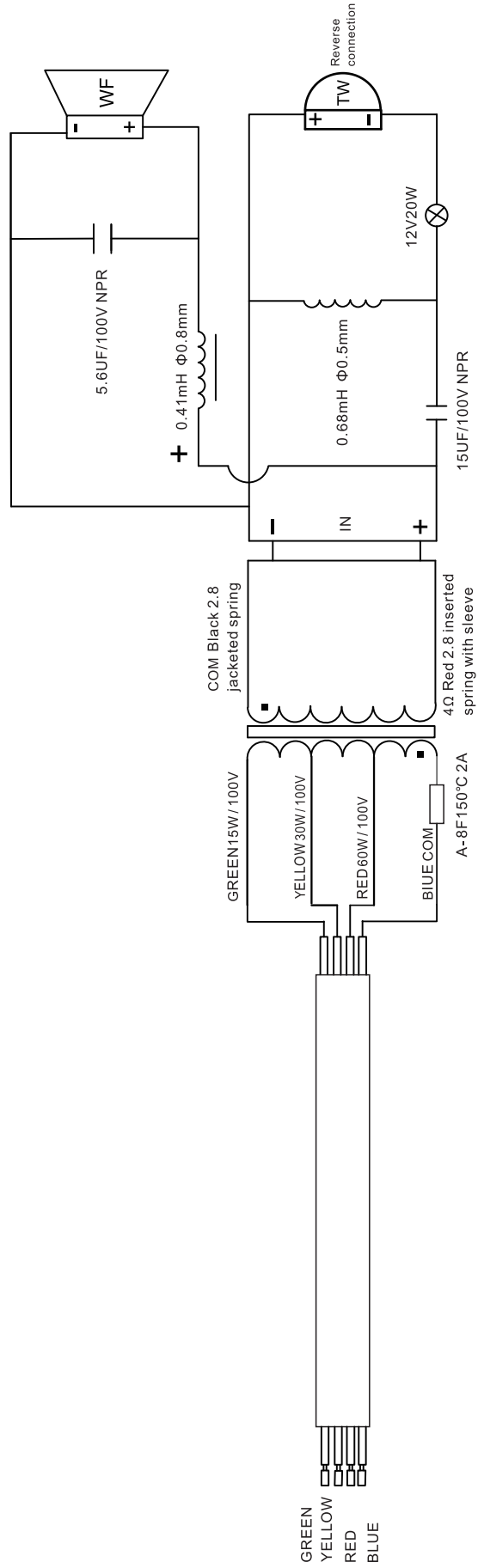


CONNECTING THE SPEAKER TO YOUR SYSTEM

1. Remove the screws from the cover on the back of the speaker.
2. The bare wire connector accommodates speaker wire input and output, thus allowing users to easily daisy-chain speakers in 70V applications.
3. Determine the locations for the speakers and estimate the length of the additional wire you will need for each speaker.
4. Connect the speaker wires to the inputs based on the desired voltage and wattage.
5. Feed the speaker wire through the hole in the back cover.
6. Replace the cover and screws.
7. If sending a wire from the first speaker to an additional speaker is required, remove the plastic knockout from the cover and add the provided collet nut.

PLEASE NOTE: The external nut requires a 15/16" wrench.

CIRCUIT DIAGRAM



SERVICE

In the event of a malfunction, ensure the problem is not related to operator error or system devices external to this unit. Once it is certain that the problem is related to the product, contact your warranty provider as described in the warranty section of this manual.

LIMITED WARRANTY

PRO ACOUSTICS, LLC. ("PRO ACOUSTICS") warrants this product to the original purchaser to be free from defects in materials and workmanship (subject to the terms set forth below) for the following periods from the date of purchase.

THIS WARRANTY COVERS THE LISTED PRODUCTS AGAINST DEFECTS IN MATERIALS OR WORKMANSHIP FOR THE FOLLOWING PERIOD

Warranty Terms	
Speakers	2 Years
Amplifiers & Electronics	1 Year
Microphones	1 Year
Accessories	1 Year

PRO ACOUSTICS will repair or replace (at PRO ACOUSTICS's option) this product or any defective parts (excluding electronics and amplifiers) in this product.

Your authorized PRO ACOUSTICS dealer will inspect the product, and if your dealer is not equipped to perform the repair of your PRO ACOUSTICS product, they will replace your product or return it to PRO ACOUSTICS for repair at their discretion. Proof of purchase in the form of a bill of sale or receipted invoice, which is evidence that this product is within the warranty period, must be presented to obtain warranty service.

This warranty is invalid if the factory applied serial number has been altered or removed from this product. This warranty is invalid if this product was not purchased from a PRO ACOUSTICS authorized dealer. Cosmetic damage or damage due to the accident, acts of God, misuse, abuse, negligence, commercial use, or modification of, or to any part of, the product are not covered in this warranty. This warranty does not cover damage due to improper operation, maintenance, installation, or attempted repair by anyone other than PRO ACOUSTICS or a PRO ACOUSTICS dealer that is authorized to do PRO ACOUSTICS warranty work. Any unauthorized repairs will void this warranty.

This warranty does not cover products sold as is.

REPAIRS OR REPLACEMENTS AS PROVIDED UNDER THIS WARRANTY ARE THE EXCLUSIVE REMEDY OF THE CONSUMER/PURCHASER. PRO ACOUSTICS U.S.A. SHALL NOT BE LIABLE FOR ANY INCIDENTAL OR CONSEQUENTIAL DAMAGES FOR BREACH OF ANY EXPRESS OR IMPLIED WARRANTY ON THIS PRODUCT. EXCEPT TO THE EXTENT PROHIBITED BY LAW, THIS WARRANTY IS EXCLUSIVE AND IN LIEU OF ALL OTHER EXPRESS AND IMPLIED WARRANTIES WHATSOEVER, INCLUDING BUT NOT LIMITED TO, THE WARRANTY OF MERCHANTABILITY AND FITNESS FOR A PRACTICAL PURPOSE.

This warranty gives you specific legal rights. You may have other rights which vary from state to state.

Specifications may change without notice.

PURE RESONANCE AUDIO®
(866) 676-7804
sales@pureresonanceaudio.com
www.PureResonanceAudio.com