



**PURERESONANCEAUDIO<sup>®</sup>**

**S6.1 6.5" OUTDOOR SURFACE MOUNT SPEAKER**

# **INSTALLATION AND OPERATION MANUAL**



Caution: Please read this manual carefully before operating.  
Damage caused by misuse is not covered by the warranty.

# SAFETY PRECAUTIONS

- Be sure to read the instructions in this section carefully before use. The included conventions of safety symbols and messages are regarded as essential precautions.
- We recommend that you keep this instruction manual handy for future reference.

## SAFETY SYMBOL AND MESSAGE CONVENTIONS

Safety symbols and messages described below are used in this manual to prevent bodily injury and property damage that could result from mishandling. Before operating this product, read this manual first and understand the safety symbols and messages so you are thoroughly aware of the potential safety risks.



### **WARNING!**

Indicates a potentially hazardous situation which, if mishandled, could result in death or serious personal injury.



### **CAUTION!**

Indicates a potentially hazardous situation which, if mishandled, could result in moderate or minor personal injury, and/or property damage.



### **WARNING!**

#### **IMPORTANT SAFETY INSTRUCTIONS**

**\*\*\*THIS PRODUCT MUST BE INSTALLED BY A QUALIFIED TECHNICIAN.**

**THE PROVIDED INSTALLATION HARDWARE MUST BE USED TO INSTALL THIS PRODUCT.\*\*\***

Pro Acoustics is not responsible for the structural integrity of the installation. Please ensure that a qualified technician installs this product and that the building's engineer or architect has approved the equipment and installation.

- To prevent injury, this product must be securely attached according to the installation instructions. When installing, follow all safety standards and regulations.
- DO NOT install near electricity, smoke, steam, or any heat source such as stoves, radiators, heat registers, amplifiers, or other apparatuses producing heat.
- DO NOT place any naked flame sources, such as candles, close to the product.
- DO ensure that the speaker wire is not damaged when installing. Frayed or unterminated wires can lead to electrical or fire danger.
- DO NOT connect the speaker while your hands are wet, as this may lead to electric shock.
- DO ensure the speaker connector is removed without pulling out the wires when connecting/disconnecting speakers, as this can strain or damage speaker wires or lead to electrical shock.
- USE hardware and accessories as indicated by the manufacturer.
- REFER all servicing to qualified service personnel. Servicing is required when the speaker is damaged in any way, does not operate normally, or has been dropped.

\*No user-serviceable parts inside. Refer all servicing to qualified service personnel.

\*Changes or modifications not expressly approved by the manufacturer could void the user's warranty.

## **CAUTION!**

Although these speakers are designed to withstand the elements, you should take precautions to optimize their long-term performance.

- If soil or dust accumulates on the grill, it can be rinsed away with low water pressure.
- Chemicals commonly used outdoors can damage the speaker. Avoid spraying such chemicals onto or near the speaker.
- When the speaker is installed on a wall, ensure the structure can structurally support the speaker's weight and mounting hardware and that the speaker is firmly attached.

# DESCRIPTION

The Pure Resonance Audio S6.1 redefines 70V all-weather surface mount speakers, combining premium audio performance, aesthetic appeal, durability, and ease of use into a single concept. With a durable IP65 water-resistant enclosure, the S6.1 is ideal for music, paging, and general-purpose audio in both indoor and outdoor commercial environments. This 70-volt outdoor surface mount speaker features a 6.5" woofer, 1" tweeter, and built-in 70V/100V transformer with an 8-ohm bypass. Exclusive Optimal Bass Enhancement technology delivers improved low-end response for richer and more robust sound. The S6.1 offers impeccable acoustic quality and premium audio performance, ensuring clean and clear vocal reproduction, perfect for use in restaurants, bars, retail stores, fitness centers, schools, and other business applications.

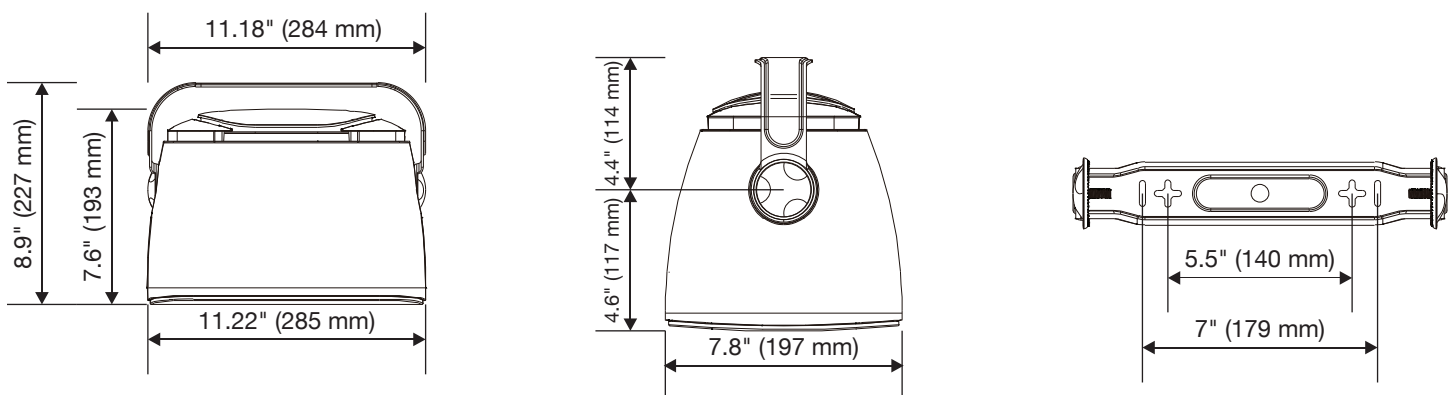
# FEATURES

- All-weather IP65-rated construction for demanding indoor and outdoor conditions
- Exclusive optimal bass enhancement radiator technology
- 6.5" graphite woofer and 1" silk tweeter
- 87 dB sensitivity provides high-output sound
- Line input 70 Volt/100 Volt selectable tap transformer and 8 Ohm bypass
- Quick installation with water-proof surface mounting bracket included
- Screw terminal connector

# SPECIFICATIONS

Power Rating	40 Watts RMS; 120 Watts Peak
Frequency Response ( $\pm 10$ dB)	70Hz - 20kHz
Sensitivity (@ 1w/1m)	87 dB
Max SPL	102 dB
Dispersion (H x V)	146° x 144°
Impedance	8 Ohms
Transformer Taps	70V: 2.5W, 5W, 10W, 20W 100V: 5W, 10W, 20W, 40W 8 Ohm Bypass
Woofers	6.5" Graphite
Tweeter	1" Silk soft dome
Grill	Metal
Material	ABS
Protection Rating	Water-resistant IP65
Connection	4-pin Euroblock screw terminal
Mount	Surface mounting bracket
Dimensions (HxWxD)	11.22" (285 mm) x 7.8" (198 mm) x 7.68" (195 mm)
Weight	7.61 lbs (3.45 kg)
Shipping Dimensions (HxWxD)	13.38" (340 mm) x 10.82" (275 mm) x 9.84" (250 x mm)
Shipping Weight	9 lbs (4.08 kg)

## DIMENSIONS



# INSTALLATION & OPERATION GUIDE

## SPEAKER PLACEMENT

- If you desire music over a wide area, it is best to have a larger number of speakers playing at low volume rather than a few speakers playing at high volume. Keep this in mind when designing your system.
- Place the speakers as close to the primary listening area as possible. The speaker's perceived volume decreases rapidly as it is moved further from the listener.

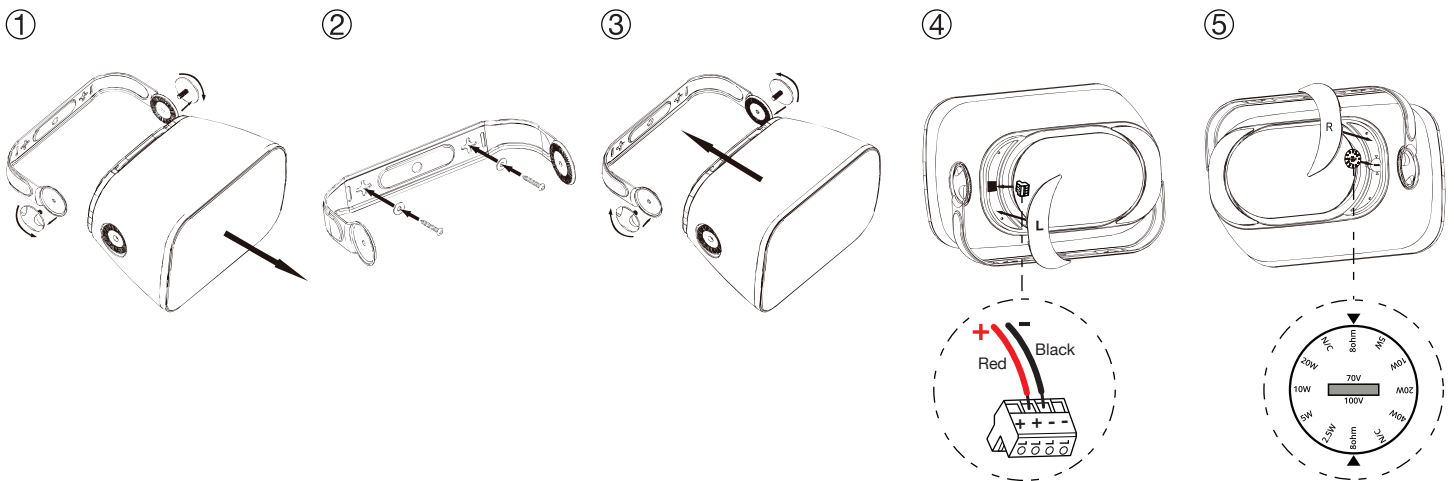
## CONNECTING THE SPEAKER TO YOUR SYSTEM

1. The 4-pin Euroblock plug allows speaker wire input and output to easily daisy chain speakers in 70V applications.
2. Determine the locations for the speakers and estimate the length of the additional wire you will need for each speaker.
3. Connect the speaker wires from your amplifier to the surface mount speakers.  
**IMPORTANT:** Be sure not to let any stray "+" and "-" strands touch each other. Touching strands can cause a short circuit that could damage the amplifier.
4. Turn your amplifier on and test the system with your favorite music.

**PLEASE NOTE:** Confirm that you have connected the speaker "+" to the amplifier "+" and the speaker "-" to the amplifier "-".

## SPEAKER INSTALLATION

1. Unscrew the mounting bracket from the speaker.
2. Screw the mounting bracket to the wall.
3. Reattach the mounting bracket to the speaker.
4. Remove the left cover on the speaker's back, connect the speaker wire to the screw terminal, and replace the cover.
5. Remove the right back cover, adjust the tap dial, and reattach the cover.



# SPEAKER CONNECTIONS

Figure 1.

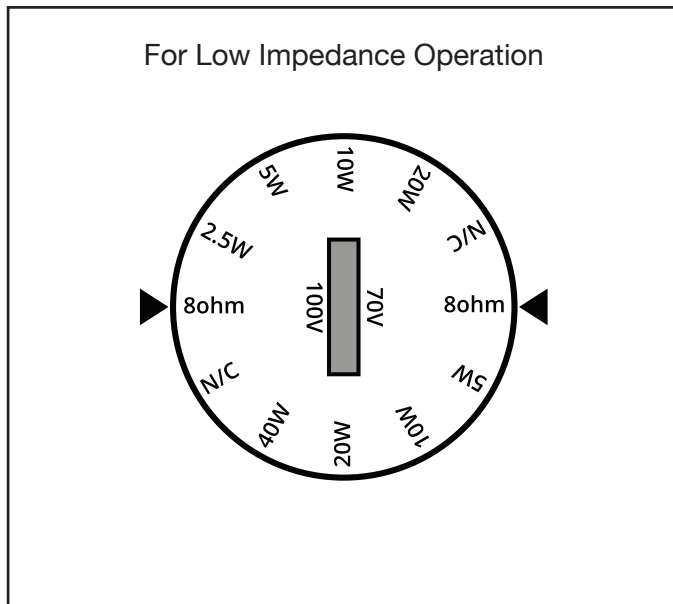


Figure 2.

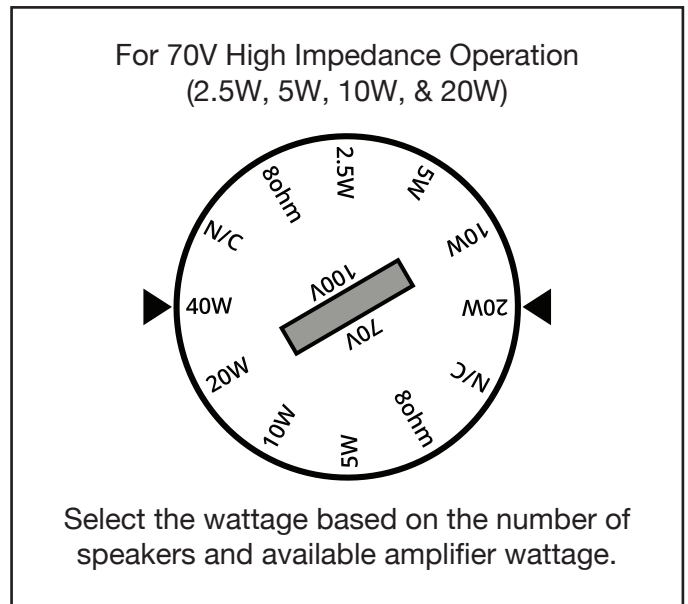


Figure 3.

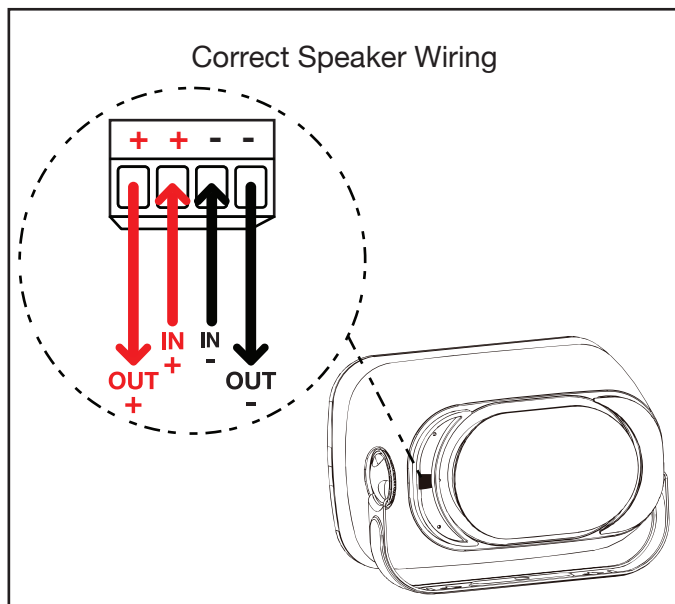
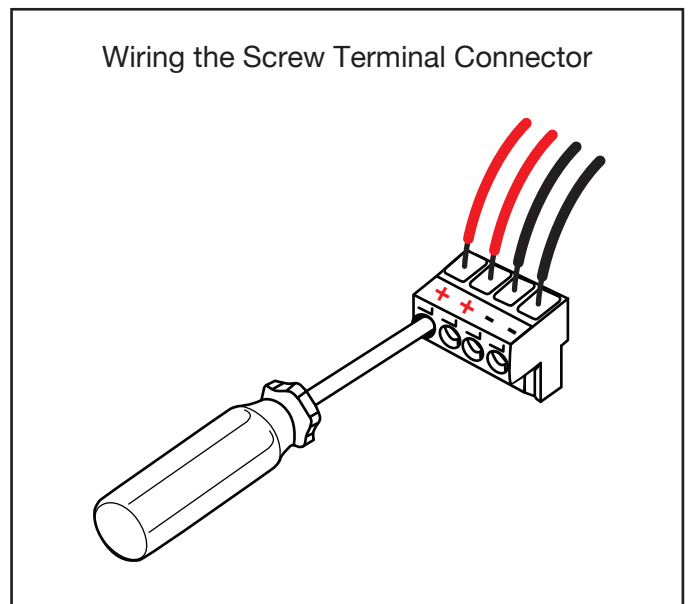


Figure 4.



Be careful not to cross wires when installing your speakers.  
Wiring should always be negative to negative and positive to positive.

# SERVICE

In the event of a malfunction, ensure the problem is not related to operator error or system devices external to this unit. Once it is certain that the problem is related to the product, contact your warranty provider as described in the warranty section of this manual.

## LIMITED WARRANTY

PRO ACOUSTICS, LLC. ("PRO ACOUSTICS") warrants this product to the original purchaser to be free from defects in materials and workmanship (subject to the terms set forth below) for the following periods from the date of purchase.

### **THIS WARRANTY COVERS THE LISTED PRODUCTS AGAINST DEFECTS IN MATERIALS OR WORKMANSHIP FOR THE FOLLOWING PERIOD**

<b>Warranty Terms</b>	
Speakers	2 Years
Amplifiers & Electronics	1 Year
Microphones	1 Year
Accessories	1 Year

PRO ACOUSTICS will repair or replace (at PRO ACOUSTICS's option) this product or any defective parts (excluding electronics and amplifiers) in this product.

Your authorized PRO ACOUSTICS dealer will inspect the product, and if your dealer is not equipped to perform the repair of your PRO ACOUSTICS product, they will replace your product or return it to PRO ACOUSTICS for repair at their discretion. Proof of purchase in the form of a bill of sale or receipted invoice, which is evidence that this product is within the warranty period, must be presented to obtain warranty service.

This warranty is invalid if the factory applied serial number has been altered or removed from this product. This warranty is invalid if this product was not purchased from a PRO ACOUSTICS authorized dealer. Cosmetic damage or damage due to the accident, acts of God, misuse, abuse, negligence, commercial use, or modification of, or to any part of, the product are not covered in this warranty. This warranty does not cover damage due to improper operation, maintenance, installation, or attempted repair by anyone other than PRO ACOUSTICS or a PRO ACOUSTICS dealer that is authorized to do PRO ACOUSTICS warranty work. Any unauthorized repairs will void this warranty.

This warranty does not cover products sold as is.

REPAIRS OR REPLACEMENTS AS PROVIDED UNDER THIS WARRANTY ARE THE EXCLUSIVE REMEDY OF THE CONSUMER/PURCHASER. PRO ACOUSTICS U.S.A. SHALL NOT BE LIABLE FOR ANY INCIDENTAL OR CONSEQUENTIAL DAMAGES FOR BREACH OF ANY EXPRESS OR IMPLIED WARRANTY ON THIS PRODUCT. EXCEPT TO THE EXTENT PROHIBITED BY LAW, THIS WARRANTY IS EXCLUSIVE AND IN LIEU OF ALL OTHER EXPRESS AND IMPLIED WARRANTIES WHATSOEVER, INCLUDING BUT NOT LIMITED TO, THE WARRANTY OF MERCHANTABILITY AND FITNESS FOR A PRACTICAL PURPOSE.

This warranty gives you specific legal rights. You may have other rights which vary from state to state.