



PURERESONANCEAUDIO®

SP8 SOUNDPLANE CEILING TILE SPEAKER

INSTALLATION AND OPERATION MANUAL



Caution: Please read this manual carefully before operating.
Damage caused by misuse is not covered by the warranty.

INTRODUCTION

DESCRIPTION

The Pure Resonance Audio SP8 SoundPlane 8" lay-in ceiling tile speaker quickly and easily drops into a 2'x2' suspended grid ceiling space without having to cut holes or modify ceiling tiles. The extremely low profile depth allows the speaker to fit into suspended ceiling spaces where a deeper standard speaker could not. A convenient built-in adjustable 70-volt 10-watt transformer makes the SD8 SoundPlane speaker ideal for use in commercial distributed audio installations such as business offices, retail stores, restaurants, education, hospitality, transportation areas, and more.

FEATURES

- Ultra-low profile of only 3.9" for shallow ceiling installation
- Selectable 8 Ohm 70V/100V 10W taps
- Full-range sound offers an excellent listening experience
- Frameless design provides reduced visibility for a clean and built-in look
- Easy installation drops into a 2'x2' suspended grid ceiling space
- Safety hook with included safety cable


RMS Power	20W @ 8 Ohms
Frequency Response	200Hz - 16kHz
Sensitivity	92dB
Impedance	8 Ohms
70 Volt Transformer Taps	1.3W / 2.5W / 5W / 10W / 8 Ohm
100 Volt Transformer Taps	2.5W / 5W / 10W / 8 Ohm
Driver	(1) 8" Paper Cone
Audio Input	Phoenix Type Pluggable Terminal Block
Mounting Depth	3.9" (100 mm)
Dimensions (H x W x D)	23.8" (605 mm) x 23.8" (605 mm) x 3.9" (100 mm)
Net Weight	13.6 lbs (6.2 kg)


SAFETY PRECAUTIONS

- Be sure to read the instructions in this section carefully before use. The included conventions of safety symbols and messages are regarded as very important precautions.
- We recommend you keep this instruction manual handy for future reference.

SAFETY SYMBOL AND MESSAGE CONVENTIONS

Safety symbols and messages described below are used in this manual to prevent bodily injury and property damage which could result from mishandling. Before operating this product, read this manual first and understand the safety symbols and messages so you are thoroughly aware of the potential safety risks.

 **WARNING!** Indicates a potentially hazardous situation which, if mishandled, could result in death or serious personal injury.

 **CAUTION!** Indicates a potentially hazardous situation which, if mishandled, could result in moderate or minor personal injury, and/or property damage.

WARNING!

IMPORTANT SAFETY INSTRUCTIONS

*****THIS PRODUCT MUST BE INSTALLED BY A QUALIFIED TECHNICIAN.
THE PROVIDED INSTALLATION HARDWARE MUST BE USED TO INSTALL THIS PRODUCT.
SPEAKER UNIT MUST BE ATTACHED BY A SAFETY CABLE!*****

Pro Acoustics is not responsible for the structural integrity of the installation. Please make sure a qualified technician installs this product and the building's engineer or architect has approved the equipment and installation.

1. DO NOT block any ventilation openings. Install in accordance with all safety standards and regulations.
2. DO NOT install near any heat source such as stoves, radiators, heat registers, amplifiers, or any other apparatus producing heat.
3. Before installing the speaker into any ceiling, check the structure for weight-bearing ability, and avoid contact with any wiring or plumbing that might be behind the surface area. Installing on soft materials or in areas incapable of supporting the speakers' weight may cause personal injury or damage to the speaker.
4. Make sure the speaker is properly secured to the ceiling. Please use the proper screws, bolts, or anchors. Failure to do so may cause the speaker to become unsecured and cause potential damages/injuries.
5. Use only approved and certified wiring in your installation, do not stretch or place the wire in contact with sharp objects.
6. Before removing cables, ensure all power to your amplifier and other components is turned off.
7. Damage may occur if the speaker is dropped or hit, resulting in no sound or distorted sound.
8. Never overdrive your speaker to the point of distortion and always reduce volume before switching input sources.
9. REFER all servicing to qualified service personnel. Servicing is required when the apparatus has been damaged in any way, such as power-supply cord or plug is damaged or objects have fallen into the apparatus, the apparatus does not operate normally, or has been dropped.

*WARNING: To prevent injury, this apparatus must be securely attached in accordance with the installation instructions. No naked flame sources – such as candles – should be placed close to the product.

*CAUTION: Changes or modifications not expressly approved by the manufacturer could void the user's warranty.

INSTALLATION & OPERATION GUIDE

PREPARATION

The hardware equipment listed below is needed to install the speaker.



Wire Strippers



Screwdriver



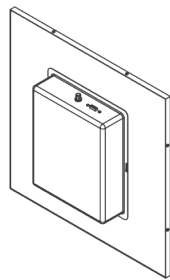
Tape Measure



Ladder

PACKLIST

Ensure that you have received all parts according to the component checklist prior to installation. If any parts are missing or faulty, contact your place of purchase for a replacement.



Speaker

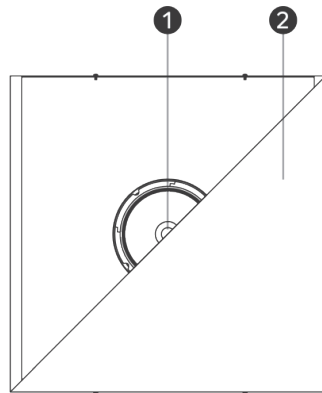


User Manual

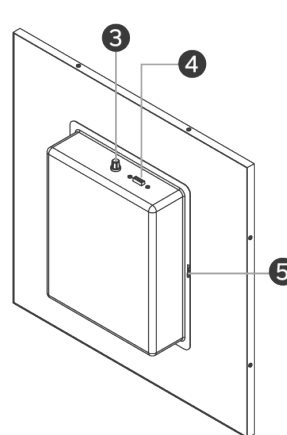


Safety Cable

SPEAKER OVERVIEW



1. Full Range Speaker
2. Grill



5. Safety Hook (for removing the hazard of potential falls by attaching the included safety cable)

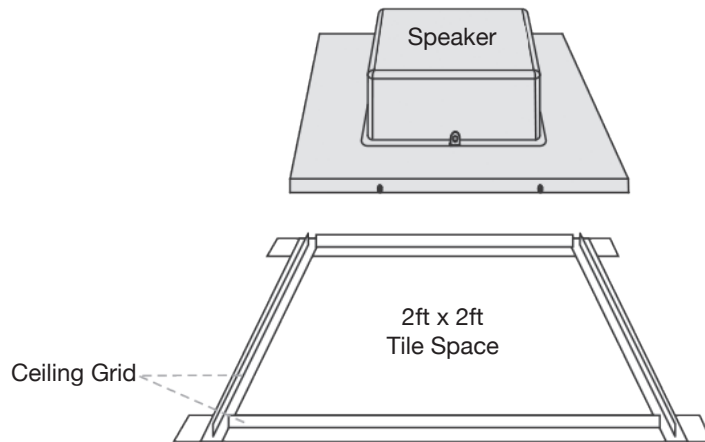
Ceiling Depth Required
> 3.9" (100mm)



INSTALLATION

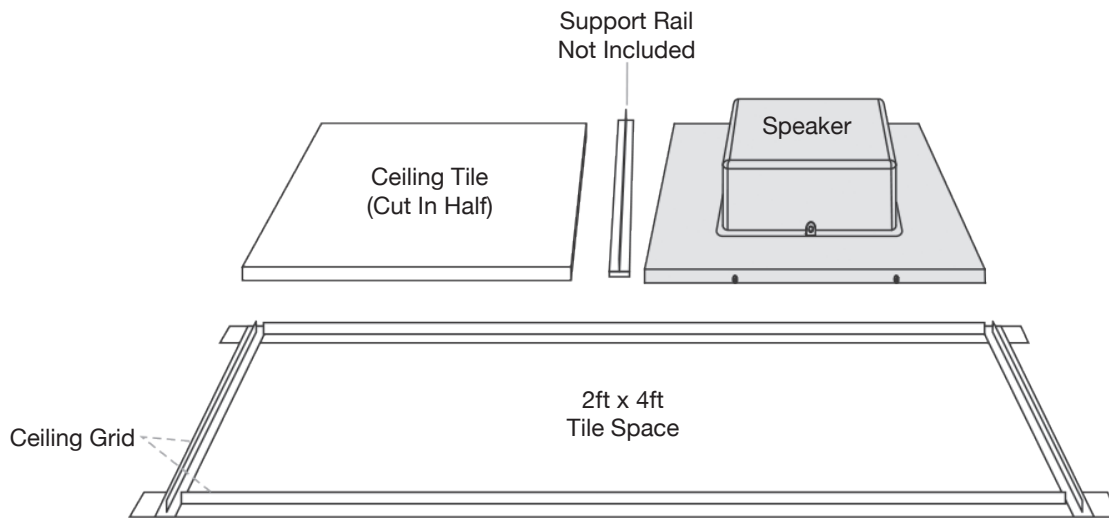
2ft x 2ft Drop Ceiling Tile:

Remove the tile and replace it with the ceiling speaker.



2ft x 4ft Drop Ceiling Tile:

Remove the existing 2ft x 4ft ceiling tile, measure and cut it in half. Insert a support rail in the center of the open space (support rail not included). Place the ceiling speaker into one half of the space and insert one of the cut 2ft x 2ft drop ceiling tiles into the remaining opening.



CARE AND MAINTENANCE

- Turn off the power to the speaker when not in use for long periods of time.
- Ensure all equipment is turned off prior to cleaning. Surfaces and cabinet need only occasional dusting/-cleaning. Never use chemicals or solvents as they may damage the surface. Always clean using a dry cloth.
- Never touch the speaker drivers.

BASIC SPEAKER INSTALLATION - 70 VOLT SYSTEMS AND APPLICATIONS

Figure 1.

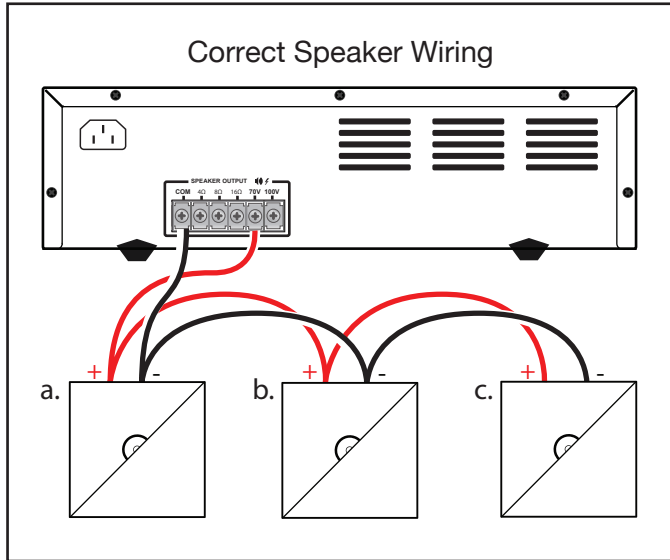
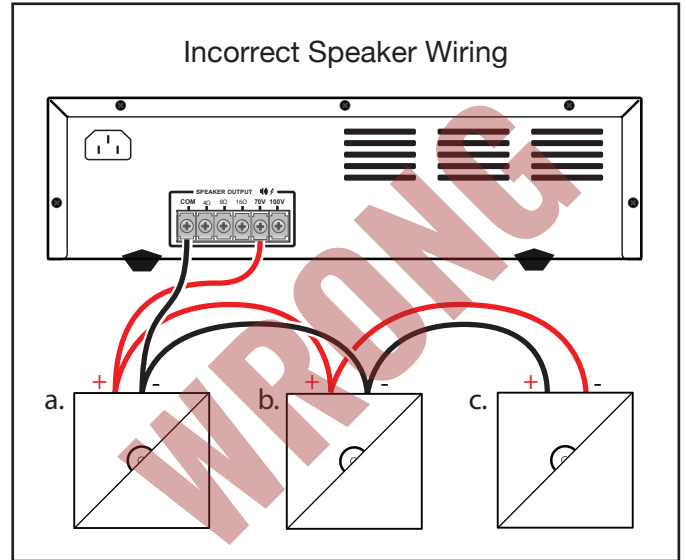


Figure 2.



Be careful not to cross wires when installing your speakers. Wiring should always be negative to negative and positive to positive (Figure 2. shows speaker c. incorrectly wired).

BASIC ATTENUATOR/VOLUME CONTROL INSTALLATION

Figure 3.

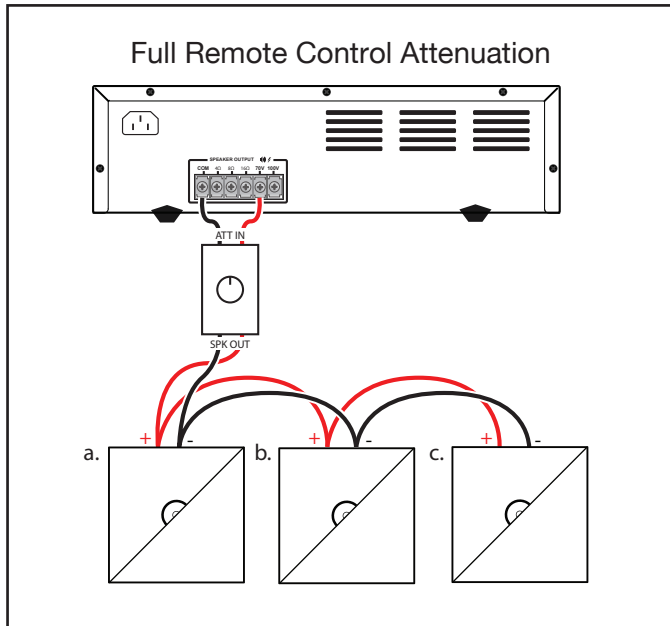
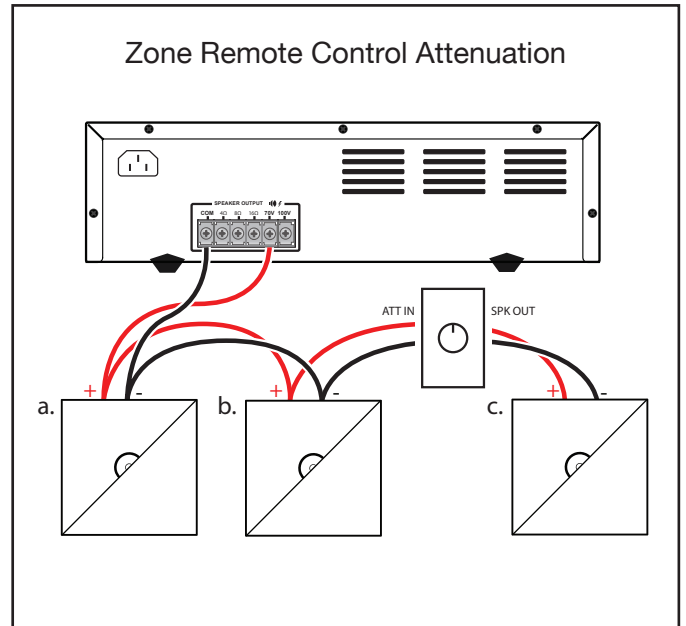


Figure 4.



NOTE:

Anytime you note distortion, reduce the volume to a lower setting. Never allow your amplifier to be driven into "clipping". Otherwise the speakers may be damaged. Damage caused by operating the speakers at distorted volume levels is not covered by the warranty.

SERVICE

Ensure the problem is not related to operator error or system devices that are external to this unit. Information provided in the troubleshooting portion of this manual may help with this process. Once it is certain that the problem is related to the product, contact your warranty provider as described in the warranty section of this manual.

LIMITED WARRANTY

PRO ACOUSTICS, LLC. ("PRO ACOUSTICS") warrants this product to the original purchaser to be free from defects in materials and workmanship (subject to the terms set forth below), for the following periods from the date of purchase.

THIS WARRANTY COVERS THE LISTED PRODUCTS AGAINST DEFECTS IN MATERIALS OR WORKMANSHIP FOR THE FOLLOWING PERIOD

Warranty Terms	
Speakers	2 Years
Amplifiers & Electronics	1 Year
Microphones	1 Year
Accessories	1 Year

PRO ACOUSTICS will repair or replace (at PRO ACOUSTICS's option) this product or any defective parts (excluding electronics and amplifiers) in this product.

Your authorized PRO ACOUSTICS dealer will inspect the product and, if your dealer is not equipped to perform the repair of your PRO ACOUSTICS product, they will replace your product or return it to PRO ACOUSTICS for repair, at their discretion. Proof of purchase in the form of a bill of sale or receipted invoice, which is evidence that this product is within the warranty period, must be presented to obtain warranty service.

This warranty is invalid if the factory applied serial number has been altered or removed from this product. This warranty is invalid if this product was not purchased from a PRO ACOUSTICS authorized dealer. Cosmetic damage or damage due to accident, acts of God, misuse, abuse, negligence, commercial use, or modification of, or to any part of, the product are not covered in this warranty. This warranty does not cover damage due to improper operation, maintenance or installation, or attempted repair by anyone other than PRO ACOUSTICS or a PRO ACOUSTICS dealer which is authorized to do PRO ACOUSTICS warranty work. Any unauthorized repairs will void this warranty.

This warranty does not cover products sold as is.

REPAIRS OR REPLACEMENTS AS PROVIDED UNDER THIS WARRANTY ARE THE EXCLUSIVE REMEDY OF THE CONSUMER/PURCHASER. PRO ACOUSTICS U.S.A. SHALL NOT BE LIABLE FOR ANY INCIDENTAL OR CONSEQUENTIAL DAMAGES FOR BREACH OF ANY EXPRESS OR IMPLIED WARRANTY ON THIS PRODUCT. EXCEPT TO THE EXTENT PROHIBITED BY LAW, THIS WARRANTY IS EXCLUSIVE AND IN LIEU OF ALL OTHER EXPRESS AND IMPLIED WARRANTIES WHATSOEVER, INCLUDING BUT NOT LIMITED TO, THE WARRANTY OF MERCHANTABILITY AND FITNESS FOR A PRACTICAL PURPOSE.

This warranty gives you specific legal rights. You may have other rights which vary from state to state.

Specifications may change without notice.

PURE RESONANCE AUDIO®
(866) 676-7804
sales@pureresonanceaudio.com
www.PureResonanceAudio.com