



Pyle Home PVC2

*Wall Mount Impedance Matching
Vertical Sliding Volume Control*

User Manual

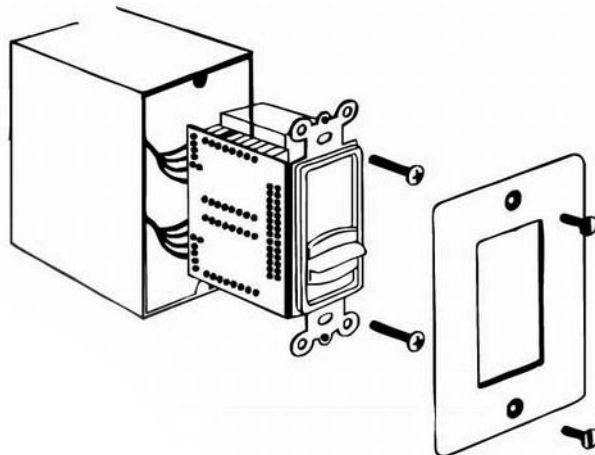
www.pyleaudio.com

Thank you for purchasing the Pyle Home PVC2! The PVC2 is a great way to control the volume of your home speaker system using an already-existing wall-mounted junction box in your home. This manual contains installation instructions and a wiring diagram for your convenience. Your product includes a one year limited warranty from the time of purchase.

Caution: This volume control is limited to a maximum of 50 watts RMS / 100 watts maximum per channel.

Mounting The Volume Control

The volume control is designed to be mounted in a standard electrical wall box. Select a location that is **within reach of the speaker wires** and **easy to reach for using the volume control**. Warning: You must mount the volume control in a standard electrical box -- do not mount it directly on a wall.



Connections

1.) Run 4-Conductor speaker cable from the amplifier (positive and negative for both the left and right channel) to the volume control - marked ❶ and ❷. Similarly, run 2-conductor speaker cable from each of the first pair of speakers to the volume control. Label the cables for future reference.

2.) Measure the depth of the volume control to make sure your Volume Control will fit in the j-box.

3.) Connect the speaker cable to the volume control:

- a. Strip $\frac{1}{4}$ " of insulation from the end of each cable
- b. Tightly twist the wires in each cable until there are no frayed ends.
- c. Insert the 4-conductor speaker cable from the amplifier into the input terminals.
- d. Insert the two 2-conductor speaker cables from the first pair of speakers into the output terminals.

4.) Connect additional speakers in parallel.

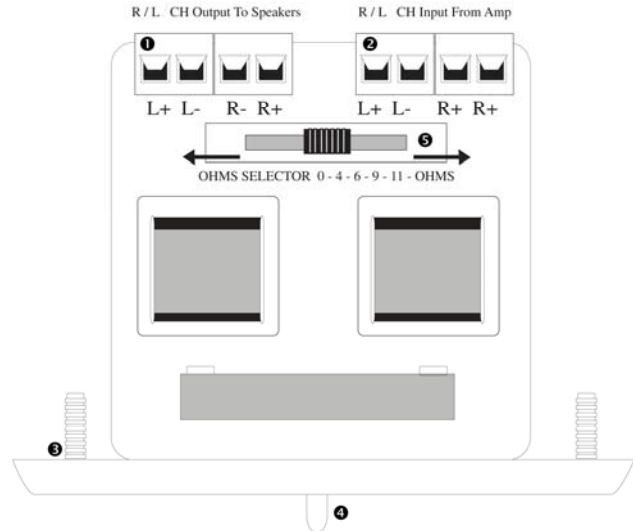
5.) Make sure that all connections between your amplifier and the volume control, and between the volume control (❹) and each speaker, are in "phase", that is (+) to (+) and (-) to (-).

6.) Adjust impedance using the Ohm Selector (❺) (note: if you do not know what this is, leave in the default position.)

6.) Turn the volume knob to the "off" position (all the way down.)

7.) Screw J-box into place

8.) Put on faceplate and screw in place using the screws (❸).



Specifications

10 volume positions

Control volume from any room

Works with all audio & video systems

Standard & Decora wallplates included

Mounts in-wall

Frequency Response: 20 Hz-20 kHz

Power Handling: 100 Watts (RMS) / Channel

Attenuation: 100 Watts MAX / Channel

- 1st position (slider at bottom): Full off
- 2nd and 3rd position: attenuate 6 +/- 1 dB per step
- 4th through 9th position: attenuate 3 +/- 1 dB per step
- 10th position: Full on

Insulation Resistance: 100 megaohm @ 500 V D.C.

Dielectric Withstanding Voltage: 500 V AC, 1 minute

Weight: 10.3 oz.