

# SOUNDSPHERE<sup>®</sup>

L O U D S P E A K E R S

110 B, 110 PAGE, Q-6 | OWNER'S MANUAL

# 110B, 110 PAGE, Q-6 | OWNER'S MANUAL

Please read the following instructions carefully before installing your Soundsphere® speaker. If you have any questions regarding installation that are not answered in the following directions, please contact your local sound contractor or the Soundsphere®/MSE Audio® technical support team. Contact information can be found on the back of the manual.

## Max Power:

110B:	30 Watts RMS
Q6:	30 Watts RMS
110 Page:	60 Watts RMS

## HK Hanging Kit

### Hang Mounting from Above

The hanging kit is attached when ordered with the speaker from the factory. If ordered separately, attach as shown in figure 1.

- Hold the main hook above so the wires and 3 hooks will be straight as they are clipped on the speaker.
- Insert the spring clips into the bracket holes as shown. Attach the top clip to the mounting point making sure that the clips and cable are not twisted.

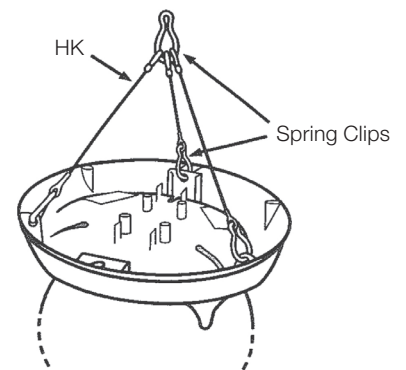


Figure 1

## MBS Mounting Bracket

### Preparing the Speaker

The speaker is prepared for use with the MBS mounting bracket when both are ordered together from the factory. If ordered separately, prepare the speaker as shown in figures 2 or 3, and 4.

- Begin by removing the plastic flashing from the hole in the reflector rim so that the screw can be inserted from the outside. Flashing can be removed with a 1/4" drill bit (figure 2), or it can easily be punched through using a hammer (figure 3). If using a 1/4" drill bit; be careful not to remove any material other than the flashing, or the speaker will not install correctly.

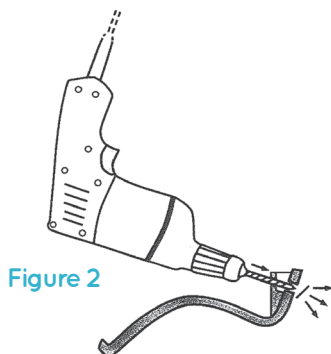


Figure 2

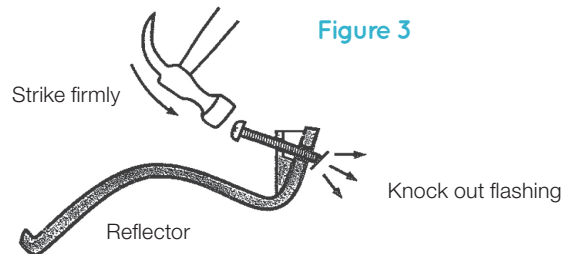


Figure 3

- b) Place the stop nut in the pocket as shown in figure 4. Start screw through outside hole, through stop nut contained in the pocket, and slightly beyond the interior hole (see figure 5).

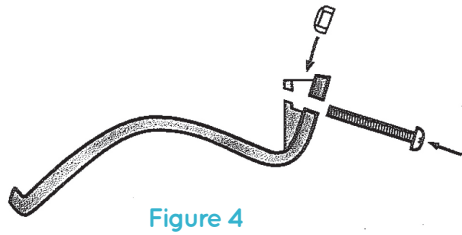


Figure 4

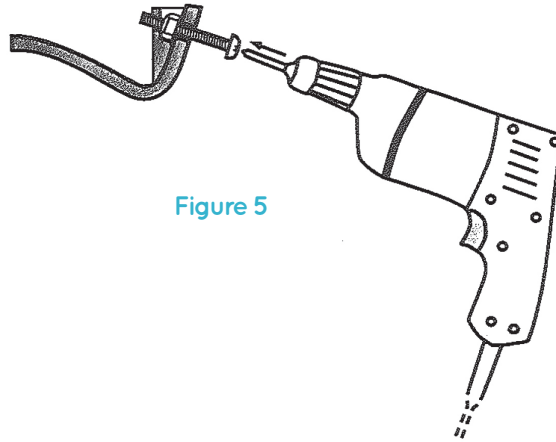


Figure 5

## Installing the Speaker

The steel bracket is pre-fastened to the ceiling or wall, then the speaker is placed on the bracket and secured in the following steps (see figures 6 & 7):

- Fasten the bracket in the desired location, making sure that it is properly and safely mounted.
- Slide the side of the reflector opposite the screw over one end of the installed bracket.
- While holding the screw side against the surface, tighten the screw until the speaker is resting firmly in position.

## Suspended Ceiling T-Bar Mounting

Two Caddy Twist Clips and Twist Nuts are provided for connecting to suspended ceiling T-bars. Please refer to the enclosed Caddy Clip T-bar mounting instructions for more details (also, see figure 6).

- Place the clips about 8 3/4" apart on the T-bar. Check to be sure they have snapped on the bar correctly.
- Slide them into final position to fit through the holes in the mounting bracket. Tighten the thumb nuts securely.
- Secure the speaker per steps b and c (above), "Installing the Speaker".

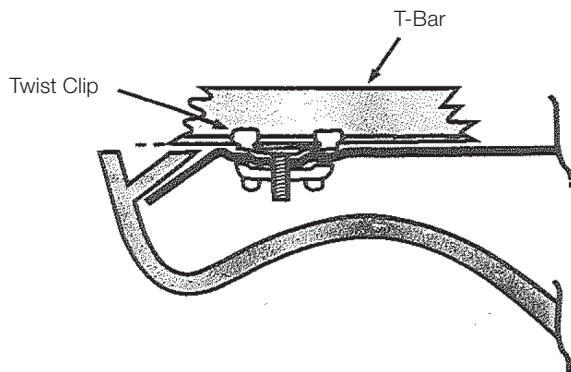


Figure 6

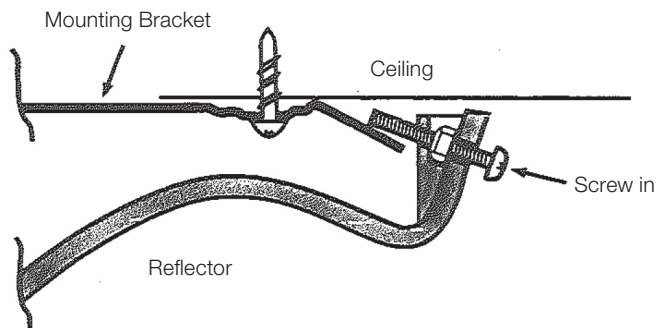


Figure 7

## TX-30 Transformer Installation Instructions

The TX-30 is designed for use with the Model 110B or Q-6 loudspeakers. Power taps are provided for 100V, 70V, and 25V systems:

	25V	70V	100V
<b>White</b>	30 Watts	---	---
<b>Orange</b>	15 Watts	---	---
<b>Yellow</b>	7.5 Watts	---	---
<b>Brown</b>	3.8 Watts	30 Watts	---
<b>Blue</b>	1.9 Watts	15 Watts	30 Watts
<b>Violet</b>	0.9 Watts	7.5 Watts	15 Watts
<b>Green</b>	0.5 Watts	3.8 Watts	7.5 Watts
<b>Black</b>	Common	Common	Common

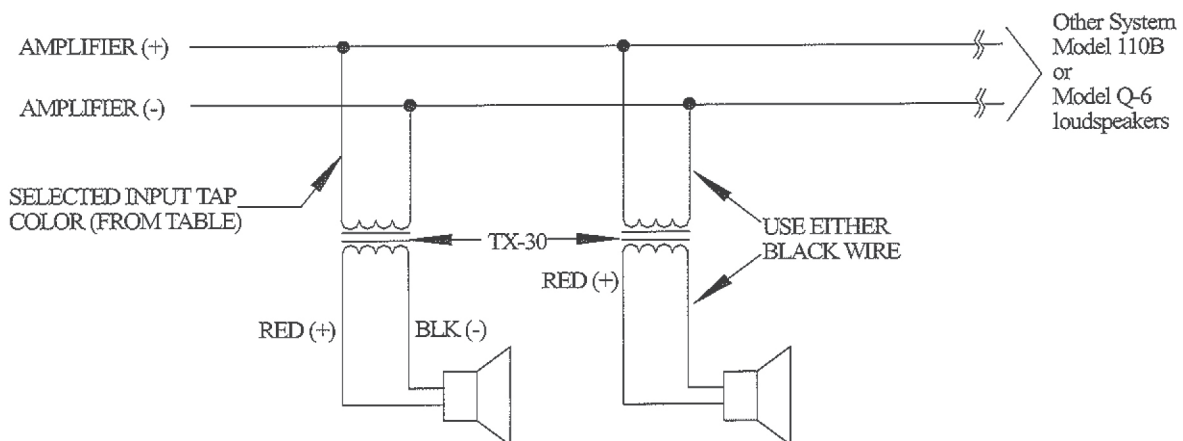
Remember to clip and insulate unused input wires; shorting any input wire to another will reduce the volume level and place an unexpected load on the power amplifier.

When ordered with the Model 110B or Q-6, the TX-30 is mounted to the back of the reflector and the loudspeaker driver connections are made at the factory.

Use either black wire for input common or driver (-) connections.

### Notes:

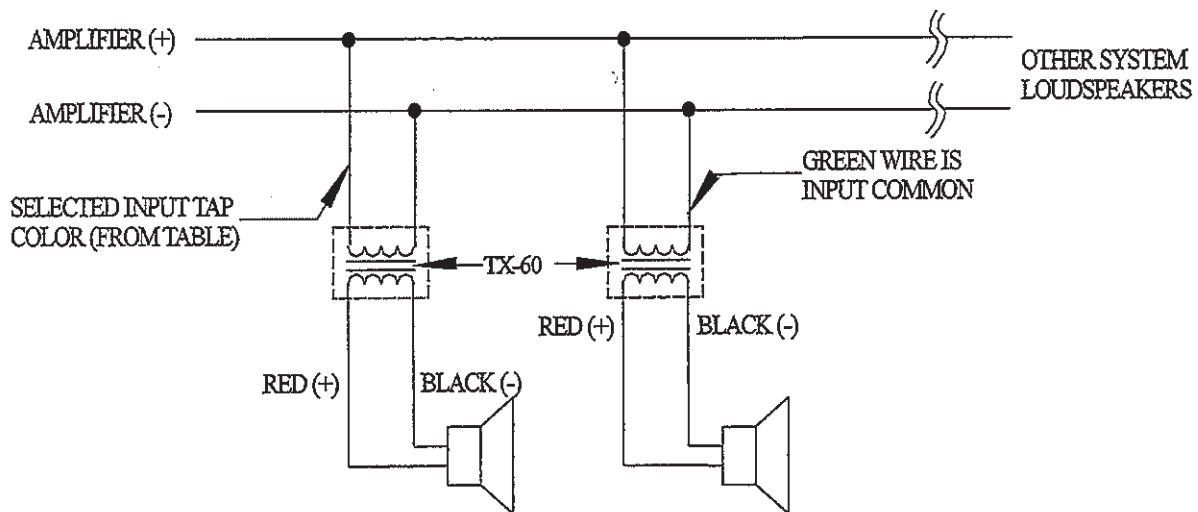
- Red or Red with White stripe is 4 ohm tap.
- The total tap wattages should not exceed the amplifier's capability



## TX-60 Transformer Installation Instructions

The TX-60 is designed for use with the Model 110 Page loudspeaker. Power taps are provided for 70V and 100V systems:

	70V	100V
Orange	60 Watts	---
Yellow	30 Watts	60 Watts
White	15 Watts	30 Watts
Green	Common	Common



Remember to clip and insulate unused input wires; shorting any input wire to another will reduce the volume level and place an unexpected load on the power amplifier.

### Notes:

- Red or Red with White stripe is 4 ohm tap.
- The total tap wattages should not exceed the amplifier's capability

## Warranty

Soundsphere loudspeakers carry a 5 year limited warranty and a 3 year limited warranty on all electrical components. See warranty sheet for details and limitations.

## Replacement Parts

110B	6.5" Dual cone, wide range, 30 Watt	Order Model Number FR-6
Q-6	6.5" 30 Watt full range coaxial loudspeaker driver with crossover	Order Model Number CX-6
110 Page	6.5" high output, voice-only, 60 Watt	Order Model Number ITP-6

## Other Information

Wire runs between the amplifier(s) and loudspeaker(s) must be of the appropriate gauge to insure the full audio performance capabilities of the Soundsphere loudspeakers. This applies to all loudspeaker impedances (4 or 8 Ohms) or audio line voltages (50, 70.7 or 100 Volts). For more information, please see the 'Downloads' section at [www.soundsphere.com](http://www.soundsphere.com), or call our Customer Service at 913.663.5600.

**Always check local requirements for overhead suspension of loudspeakers.**

## WARNING

Be sure to securely tighten all hardware before hanging the loudspeaker. Wire rope (steel cable), cable clamps with saddles and thimbles of suitable size and strength are the recommended materials for overhead suspensions.

All loudspeakers should be redudantly safety wired to structural members of the building with an approved safety wire system or other agency certified materials.

*\*IMPORTANT: Always check local safety codes before installing any overhead loudspeaker system and for periodic inspection and maintenance of the installation.*