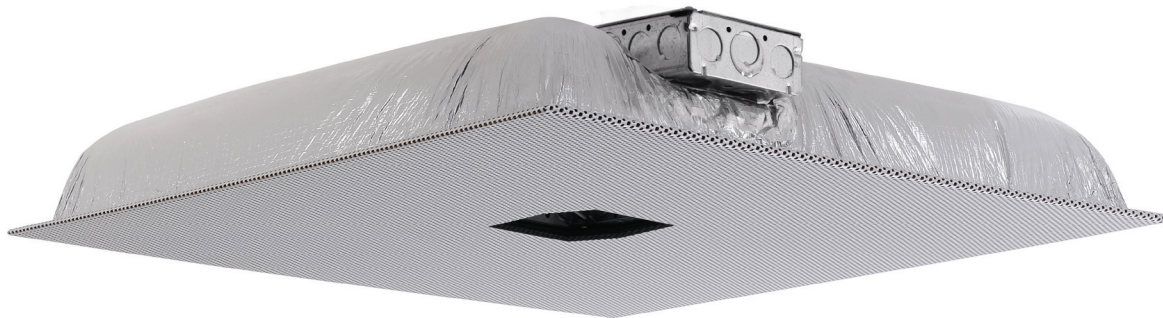


# UL22/70/DM

## TILE REPLACEMENT

2' x 2' UL Listed Fire Signaling Device with Mounts for Strobes, Smoke Detectors, Indicator Lights & Cameras



### GENERAL DESCRIPTION

The **UL22/70/DM** is a complete 2' x 2' UL listed fire signaling device providing superior voice intelligibility performance, shallow depth, lightweight, fire-protective signaling device with built-in device mount to accommodate 3rd party strobes, smoke detectors, indicator lights & cameras. Components include: an 8" O.D. loudspeaker, 10-oz. magnet, fire retardant loudspeaker with a 4W-70V rotary select transformer and integral junction box for secure and inspectable connections. Integral enclosure is 1,412 CID molded fiber. Grille is perforated steel with four (4) seismic tie-off points in a white powder coat finish. Line supervision capacitor is included. **No assembly required. 4-14 gauge color-coded appliance wiring included.**

### UL Listed 1480 (UUMW)

**TYPE F** - As a Fire Protective Signaling device when installed with supplied installation instructions and requirements of NEC/AHJ

**UL Listed 2043** - Suitable for use in air-handling spaces.

**ASTM E84** - Includes integral backbox that meets/exceeds flame & smoke test w/3 hour burn rating.

### INTENDED USE - Mass Notification & Emergency Communications

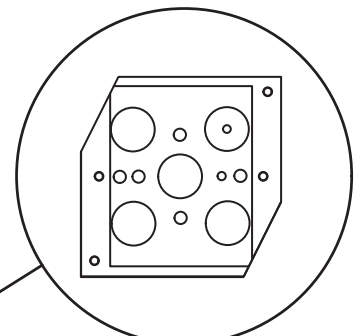
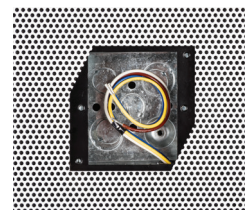
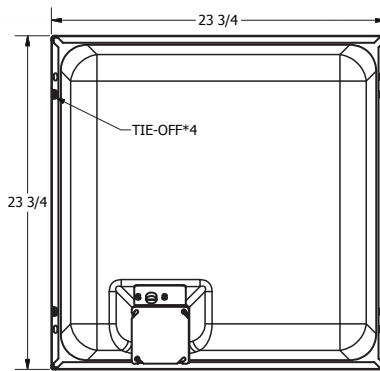
<b>Installation</b>	In a 2'x 2' or 2'x 4' wide ceiling tile grid
<b>Program Material</b>	Signal tones and voice

### AUDIO SPECIFICATIONS

<b>Sound Pressure dB-SPL @10 ft. per Tap</b>	1/4=78.5, 1/2=81.3, 1=84.1, 2=87.2, 4=89.8
<b>Loudspeaker Power Rating</b>	20W RMS, EIA 426A Standard
<b>Magnet Type &amp; Weight</b>	BeFe Ceramic, 10 oz. Nominal
<b>Frequency Response</b>	60 Hz - 17 kHz EIA 426A Standard
<b>Nominal Coverage Angle</b>	100° Included Angle, -6 dB / 2 kHz, Half space
<b>Audio Connection</b>	Common : Dual, color-coded leads, pre-cut

### SYSTEM COMPONENTS

<b>Loudspeaker</b>	8C10PAFR
<b>Transformer</b>	70V 4W-5 tap Rotary Select (4W, 2W, 1W, 0.50W, 0.25W)



SINGLE GANG AND 4 SQUARE MOUNTING POINTS FOR ADDING ACCESSORIES.  
ELECTRICAL BOX INCLUDED BEHIND PANEL

### ADDITIONAL MODELS

**UL22/70** 2' x 2' UL Listed Fire Signaling Device For Mass Notification & Emergency Communications

**UL22/70/JB** 2' x 2' UL Listed Fire Signaling Device With Built-In Junction Box For Mass Notification & Emergency Communications

Recommended construction sequences, installation instructions, and A&E Specifications are available in various formats in the Specs and Diagrams section at: [www.QuamSpeakers.com](http://www.QuamSpeakers.com)



QUAM NICHOLS COMPANY, INC.  
234 East Marquette Road. Chicago, IL. 60637  
t: 1-800-NEED-NOW (800-633-3669)  
f: 1-888-NEED-NOW (888-633-3669)  
e: [NeedNow@QNC.com](mailto:NeedNow@QNC.com)  
[www.QuamSpeakers.com](http://www.QuamSpeakers.com)

©2018 Quam Nichols Company reserves the right to make changes and/or improvements to its products at any time and without notice.