



## XS Wireless Digital XLR Base Set



One-touch ease-of-use wireless audio set that utilizes a digital transmission to seamlessly link audio sources. This elegant solution makes going wireless with a dynamic vocal microphone easier than ever before while maintaining a reliable connection.

### FEATURES

- One touch ease-of-use
- 2.4 GHz digital transmission for worldwide operation
- 75 m range (250 ft) in optimal conditions
- Up to 5 hours battery life on a single charge
- Switch between multiple transmitters linked to one receiver
- Mix and match different connector types
- Mute from either transmitter or receiver

### DELIVERY INCLUDES

- XSW-D female XLR transmitter
- XSW-D male XLR receiver
- USB-A to USB-C charging cable
- Colored stickers for labelling
- Quick guide
- Safety guide



# XS Wireless Digital XLR Base Set

## SPECIFICATIONS

### USB C interface for charging:

Input voltage	typ. 5.0 V
Charging temperature	0 °C - 60 °C (32 °F - 140 °F)
Charging time	typ. 3 h

### Battery pack:

Cell type	Li-Ion
Nominal voltage	3.7 V
Cell capacity	850 mAh
Operating time	up to 5 h

### AF characteristics:

Codec	aptX® Live
Audio frequency response	3.5 mm Jack/XLR: 80 - 18,000 Hz 6.3 mm Jack: 10 - 18,000 Hz
Audio output	max. 12 dBu
Signal-to-noise ratio	≥ 106 dB
THD	< 0.1 %
Audio latency	< 4 ms

### Product properties:

#### Dimensions

XSW-D XLR FEMALE TX	approx. 102 x 24 x 28 mm
XSW-D MINI JACK TX	approx. 86 x 24 x 28 mm
XSW-D INSTRUMENT TX	approx. 122 x 24 x 28 mm
XSW-D XLR MALE RX	approx. 109 x 24 x 28 mm
XSW-D MINI JACK RX	approx. 86 x 24 x 28 mm
XSW-D INSTRUMENT RX	approx. 122 x 24 x 28 mm
XSW-D PEDALBOARD RX	approx. 130 x 82 x 51 mm

#### Weight

XSW-D XLR FEMALE TX	approx. 86 g
XSW-D MINI JACK TX	approx. 73 g
XSW-D INSTRUMENT TX	approx. 77 g
XSW-D XLR MALE RX	approx. 90 g
XSW-D MINI JACK RX	approx. 73 g
XSW-D INSTRUMENT RX	approx. 77 g
XSW-D PEDALBOARD RX	approx. 890 g

Frequency range	2,400 - 2,483.5MHz
-----------------	--------------------

Transmission power (EIRP)	max. 10 mW
---------------------------	------------

Modulation	GFSK with TDMA
------------	----------------

### Environmental conditions:

Operating temperature	-10 °C to +55 °C (14 °F to 131 °F)
-----------------------	---------------------------------------

Relative humidity	95 % (non-condensing)
-------------------	-----------------------



## XS Wireless Digital XLR Base Set

### PRODUCT VARIANTS

XSW-D XLR BASE SET Female XLR transmitter, male XLR receiver	Art. no. 508491
<b>Other sets:</b>	
XSW-D VOCAL SET XS 1 handheld, female XLR transmitter, male XLR receiver	Art. no. 508484
XSW-D LAVALIER SET ME2-II, 3.5mm (1/8") transmitter, male XLR receiver	Art. no. 508485
XSW-D PEDALBOARD SET 6.3mm (1/4") transmitter, pedalboard receiver	Art. no. 508486
XSW-D PORTABLE LAVALIER SET ME2-II, 3.5mm (1/8") transmitter & 3.5mm (1/8") receiver	Art. no. 508488
XSW-D PORTABLE INTERVIEW SET Female XLR transmitter, 3.5mm (1/8") receiver	Art. no. 508489
XSW-D PORTABLE ENG SET ME2-II, 3.5mm (1/8") transmitter, female XLR transmitter, 3.5mm (1/8") receiver	Art. no. 508490
XSW-D PRESENTATION BASE SET 3.5mm (1/8") transmitter, male XLR receiver	Art. no. 508492
XSW-D INSTRUMENT BASE SET 6.3mm (1/4") transmitter, 6.3mm (1/4") receiver	Art. no. 508493
XSW-D PORTABLE BASE SET 3.5mm (1/8") transmitter, 3.5mm (1/8") receiver	Art. no. 508621

### ACCESSORIES

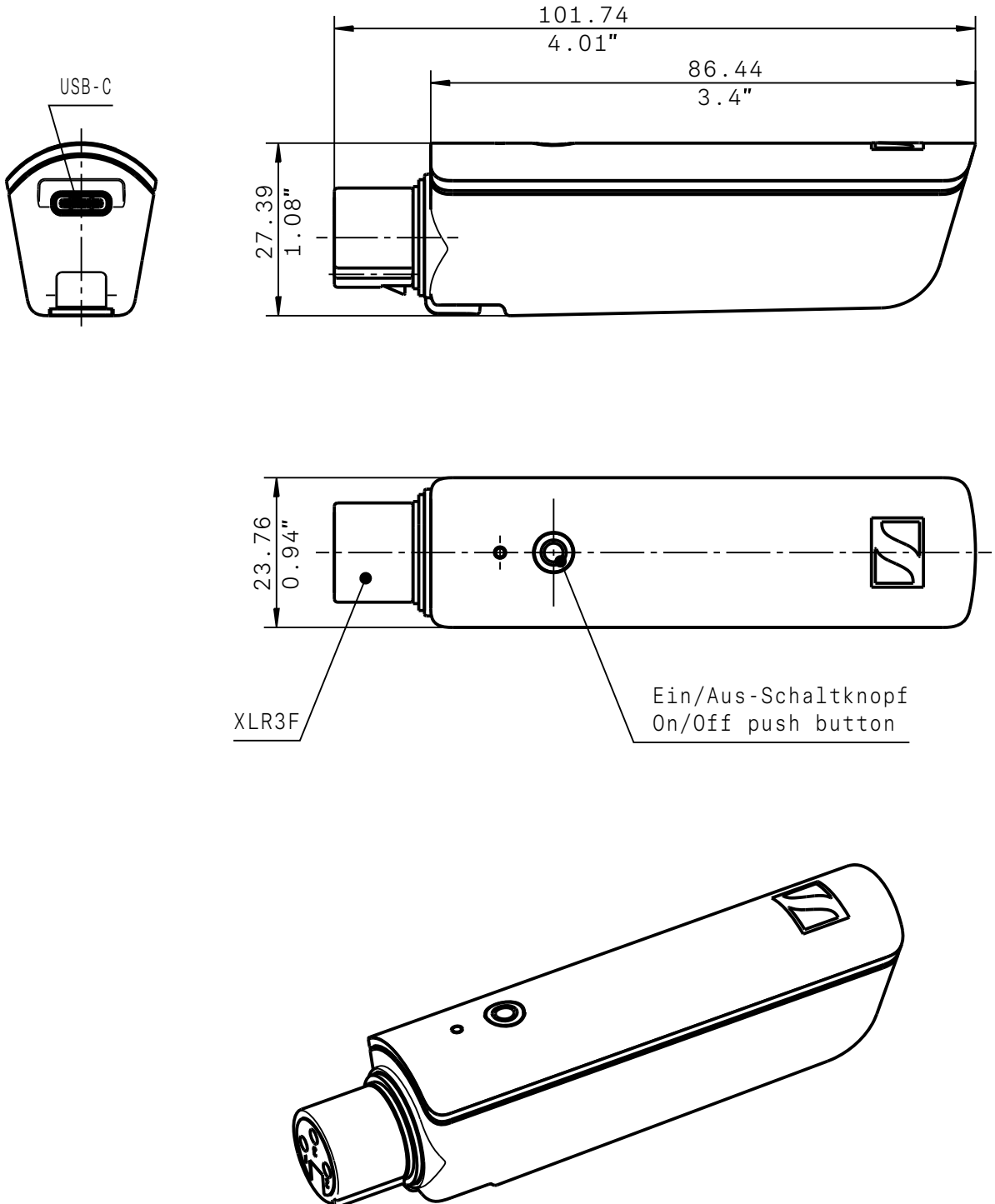
XSW-D XLR FEMALE TX Transmitter with female XLR input	Art. no. 508494
XSW-D MINI JACK TX Transmitter with 3.5mm (1/8") input	Art. no. 508495
XSW-D INSTRUMENT TX Transmitter with 6.3mm (1/4") input	Art. no. 508496
XSW-D XLR MALE RX Receiver with male XLR output	Art. no. 508497
XSW-D INSTRUMENT RX Receiver with 6.3mm (1/4") output	Art. no. 508498
XSW-D PEDALBOARD RX Receiver with 6.3mm (1/4") & male XLR outputs	Art. no. 508499
XSW-D MINI JACK RX Receiver with 3.5mm (1/8") output	Art. no. 508500
NT XSW-D PEDALBOARD Power supply for pedalboard receiver	Art. no. 508647
CL 35 3.5mm (1/8") coiled output cable	Art. no. 508648
CI 63 6.3mm (1/4") extension input cable	Art. no. 508649
XSW-D BELTPACK CLIP Transmitter belt clip	Art. no. 508650
XSW-D HOTSHOE MOUNT Camera mount for XSW-D receivers	Art. no. 508651



# XS Wireless Digital XLR Base Set

## DIMENSIONS

### XSW-D XLR FEMALE TX





# XS Wireless Digital XLR Base Set

## DIMENSIONS

### XSW-D XLR MALE RX

