



THUMP 210XT

ENHANCED 10" 1400W POWERED LOUDSPEAKER

SPEC SHEET



WELCOME

Introduction

Mackie Thump210XT is a compact 10" 1400W powered loudspeaker featuring proven sound quality, Feedback Eliminator, Music Ducking and powerful enhancements.

Connect to two XLR/TRS inputs, stereo 1/8" aux connection or connect wirelessly via Bluetooth®.

Enjoy powerful amplification via the 1" compression driver and 10" high-performance woofer.

Adapt the sound to your space and application with 4 voicing modes and indoor/outdoor settings.

You can even link two Thump210XT speakers wirelessly and control both from the Thump Connect 2 app.

Lightweight and Built-Like-A-Tank™, Thump210XT is the ultimate compact loudspeaker for mobile PA systems, DJs, bars and more.

If you have any questions or comments about this Spec Sheet (or other Mackie documentation), please don't hesitate to contact us:

- 1-800-898-3211 (Monday through Friday, normal business hours, Pacific Time)
- www.mackie.com/support-contact

Features

- 1400W ultra-efficient Class-D amplifier
- Built-Like-A-Tank™ to conquer every gig while lightweight for easy loading
- Frequency Range (-10 dB): 52 Hz - 23 kHz
- Maximum SPL Peak: 127 dB
- Flexible I/O
- 1 features an XLR/TRS input that accepts mic or line signals
- 2 features an XLR/TRS line input plus stereo 1/8" input
- Thru output contains audio from both input channels
- 10" high-performance woofer
- 1" compression driver
- Built-in Feedback Eliminator reduces squeals and out of control rumble
- Music Ducking mode automatically reduces the level of Ch.2 when Ch.1 receives signal
- Bluetooth® playback and control
- 4 application-specific voicing modes: Music, Live, Club and Monitor
- Indoor and outdoor settings
- Thump Connect 2 app
- Link wirelessly with a second Thump210XT speaker
- Standard pole mount
- Monitor wedge provides optimal angle for use as a floor monitor
- Universal Power Supply (100-240VAC)
- Size (H x W x D): 22.4 x 13.0 x 12.8 in / 569 x 330 x 325 mm
- Weight: 25.6 lb / 11.6 kg

Applications

Singer-songwriters, announcement PA, karaoke, clubs / cafés, houses of worship, schools, small restaurants, outdoor events / barbecues, banquet halls, conference rooms, boardrooms, and many, many more.

TECHNICAL INFORMATION

Specifications

Acoustic Performance

Frequency Response (-10 dB): 52 Hz – 23 kHz
Frequency Response (-3 dB): 59 Hz – 23 kHz

Horizontal Coverage: 90°
Vertical Coverage: 60°

Maximum SPL Peak: 127 dB

Monitor Angle: 40°

Transducers

Low Frequency: 10 in / 254 mm woofer with ferrite

High Frequency: 1.0 in / 25 mm polymer compression driver

Power Amplifiers

System Power Amplification

Rated Power: 1400 watts peak

Low Frequency Power Amplifier

Rated Power: 1200 watts peak

Rated THD: <1%

Cooling: Convection

Design: Class D

High Frequency Power Amplifier

Rated Power: 200 watts peak

Rated THD: <1%

Cooling: Convection

Design: Class D

SPECIFICATIONS CONTINUED

Input / Output

Input Type 2x Female XLR – 1/4" Balanced TRS combo jack and 1/8" TRS
Mic/Line Impedance 10 k Ω Balanced
1/8" Line Impedance 10 k Ω Balanced
Thru Out Male XLR Balanced
Thru Out Impedance 300 Ω Balanced

Electronic Crossover

Crossover Frequency 2.1 kHz

Bluetooth Information

Bluetooth Protocol 5.0
Bluetooth Function Audio streaming and user interface control

Line Input Power

Detachable line cord 100–240V~, 50–60 Hz, 75W
AC Connector 3-pin IEC 250 VAC, 10 A male
Power Supply Type Switchmode

System Processing

Voicing Four speaker modes

Safety Features

Input Protection Peak and RMS limiting, power supply and amplifier thermal protection
Feedback Eliminator On / Off
Display LEDs Voicing Mode, Outdoor Mode,
Music Ducking, Feedback Eliminator,
Front LED, Bluetooth Status,
Link Status, Overload

Mounting Methods

Floor mount, pole mount via the built-in socket on the bottom of the cabinet [Be sure the pole is capable of supporting the weight of the ThumpXT loudspeaker] or fly via the integrated M10 mounting points (using M10 x 1.5 x 20 mm forged shoulder eyebolts). See the owner's manual for more information.

SPECIFICATIONS CONTINUED

Options

Thump210XT Speaker Bag.....	P/N 2057761
T100 Loudspeaker Tripod Stand.....	P/N 2052464
SPM400 M20 Threaded Loudspeaker Pole Mount.....	P/N 2051055
PA-A3 Forged Shoulder Eyebolt Kit (3 x M10 x 17 mm).....	P/N 2036960

Physical Properties (Product)

Height:	22.4 in // 569 mm
Width:	13.0 in // 330 mm
Depth:	12.8 in // 325 mm
Weight:	25.6 lb // 11.6 kg

Physical Properties (Packaged Product)

Height:	25.0 in // 635 mm
Width:	15.2 in // 386 mm
Depth:	15.2 in // 386 mm
Weight:	30.2 lb // 13.7 kg

Ordering Information

THUMP210XT – 10" 1400W Enhanced Compact Powered Loudspeaker

US	2057306-00 (US)
EU	2057306-01 (EU)
UK	2057306-03 (UK)
AU	2057306-04 (AU)
CN	2057306-05 (CN)
BZ ~120V	2057306-06 (BZ ~120V)
AR	2057306-07 (AR)
KR	2057306-08 (KR)

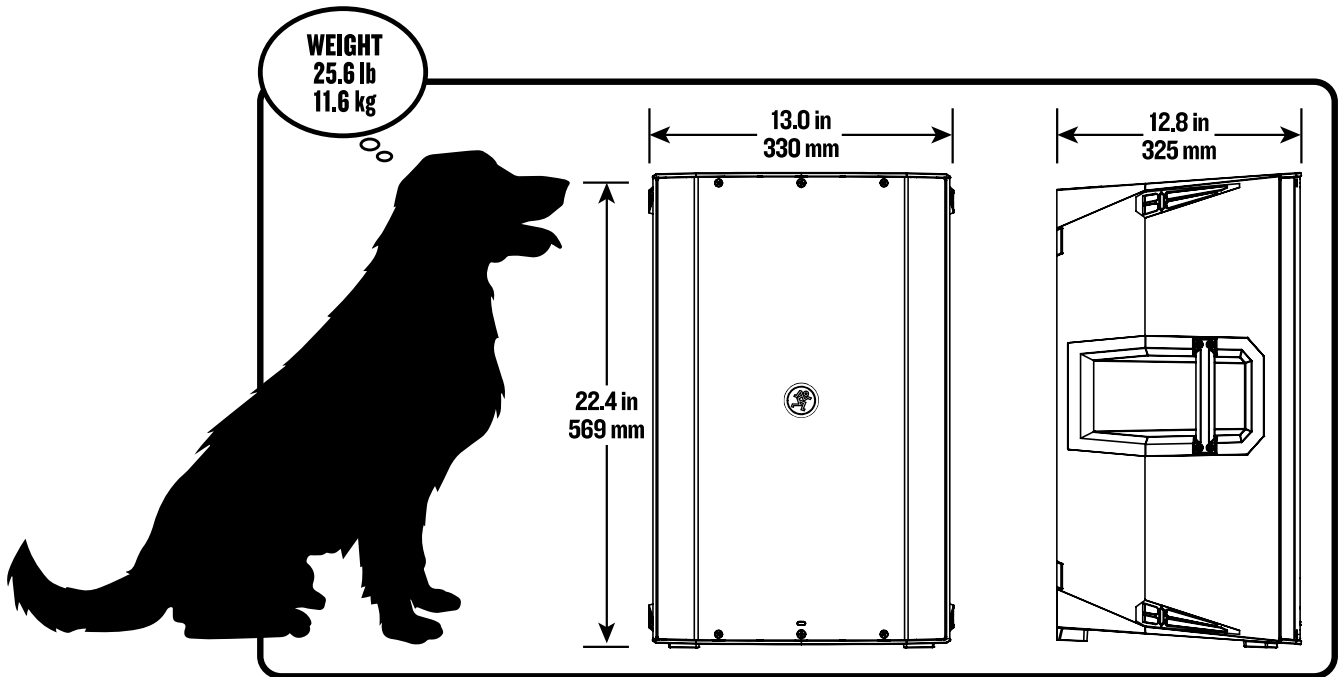
About

Part Number, Rev and Date:..... SW1468, Rev A, August 2024

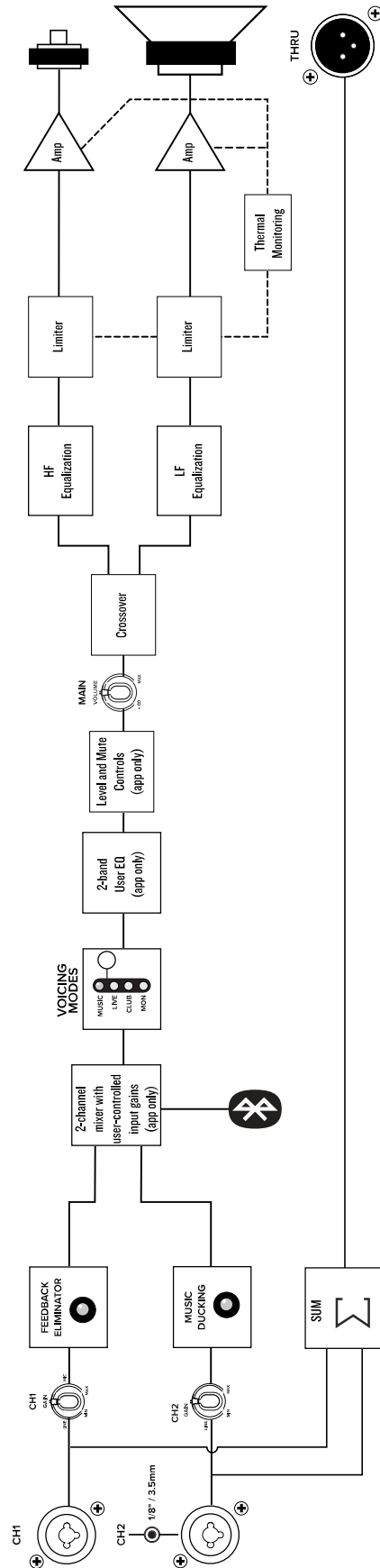
LOUD Audio, LLC. is always striving to improve our products by incorporating new and improved materials, components, and manufacturing methods. Therefore, we reserve the right to change these specifications at any time without notice. The "Running Man" is a registered trademark of LOUD Audio, LLC. All other brand names mentioned are trademarks or registered trademarks of their respective holders, and are hereby acknowledged.

Please check our website for any updates to this Owner's Manual: www.mackie.com.
 ©2024 LOUD Audio, LLC. All right All right All rights reserved.

THUMP210XT DIMENSIONS



THUMP210XT BLOCK DIAGRAM



THUMP210XT REAR PANEL

VOICING MODES

MUSIC LIVE CLUB MON

CH1 GAIN

LINE MIC

MIN MAX

CH2 GAIN

LINE MIC

MIN MAX

MAIN VOLUME

-∞ MAX

OUTDOOR MODE MUSIC DUCKING FEEDBACK ELIMINATOR FRONT LED

PAIR LINK SIG/OL

THRU

THUMP210XT

VOICING MODES

MUSIC LIVE CLUB MON

CAUTION DO NOT OPEN RISK OF ELECTRIC SHOCK
ATTENTION: NE PAS OUVRIR -RISQUE DE CHOC ELECTRIQUE-

WARNING: TO REDUCE THE RISK OF FIRE OR ELECTRIC SHOCK, DO NOT EXPOSE THIS EQUIPMENT TO RAIN OR MOISTURE. DO NOT REMOVE COVER.
AVERTISSEMENT: POUR REDUIRE LES RISQUES D'INCENDIE OU DE CHOC ELECTRIQUE, NE PAS EXPOSER CET APPAREIL A LA PLUIE OU A L'HUMIDITE. NE PAS RETIRER LE COUVERCLE.

SERIAL NUMBER	REVISION

THIS DEVICE COMPLIES WITH PART 15 OF THE FCC RULES FOR THE U.S. AND ICES-003, FOR CANADA. OPERATION IS SUBJECT TO THE FOLLOWING TWO CONDITIONS: (1) THIS DEVICE MAY NOT CAUSE HARMFUL INTERFERENCE, AND (2) THIS DEVICE MUST ACCEPT ANY INTERFERENCE RECEIVED, INCLUDING INTERFERENCE THAT MAY CAUSE UNDESIRED OPERATION.

DESIGNED IN BOTHELL, WA, USA • MANUFACTURED IN VIETNAM
 FABRIQUE AU VIETNAM • COPYRIGHT ©2024 LOUD AUDIO, LLC. 19820 NORTH CREEK PARKWAY #201, BOTHELL, WA 98011 • USA • ALL RIGHTS RESERVED. THE "RUNNING MAN" FIGURE IS A REGISTERED TRADEMARK OF LOUD AUDIO, LLC. • PATENTS PENDING.

100-240V ~
50-60Hz 75W



19820 North Creek Parkway #201, Bothell, WA 98011 • USA
Phone: 425.487.4333 • Toll-free: 800.898.3211
Fax: 425.487.4337 • www.mackie.com

