

TS-D1100-MC Y

MICROPHONE UNIT



The TS-D1100-MC Microphone Unit is integrated with a gooseneck microphone, and specifically designed for use with TOA's TS-D1100 Series Digital Conference System, using CAT5e STP LAN cables.

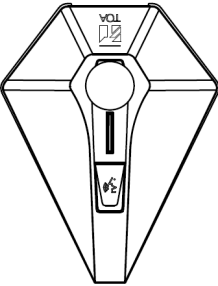
Key features

- Compact gooseneck microphone unit
- Unidirectional electret condenser microphone
- LED shows microphone status
- Sensitivity: -37 dB (1 kHz, 0 dB = 1 V/PA)
- Frequency Response: 100 Hz - 13 kHz
- Length: 518 mm (1.7 ft)
- PoE powered

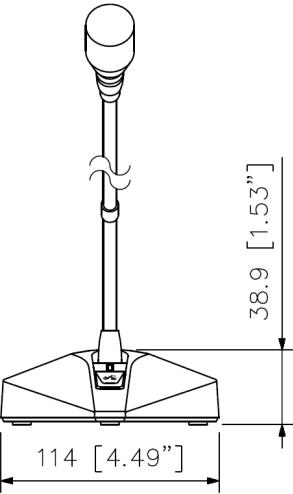
Specifications

Power Source	24 V DC (supplied from the TS-D1100-MU Master control unit (option), TS-D1000-SU Sub control units (option), or TS-D1000-EX Extension units (option))
Power Consumption	0.4 W or less
Frequency Response	100 Hz - 13 kHz
Signal to Noise Ratio	65 dB or more (A-weighted)
Connection Terminal	RJ45 connector x 2
LED Indicator	Power/Speech indicator, indicator
Function	Speech function
Operating Temperature	0 °C to +40 °C (32 °F to 104 °F)
Operating Humidity	90 %RH or less (no condensation)
Finish	Shaft: Brass, black Case: ABS resin, black
Dimensions	114 (W) x 516 (H) x 145.9 (D) mm (4.49" x 20.31" x 5.74")
Weight	330 g (0.73 lb)

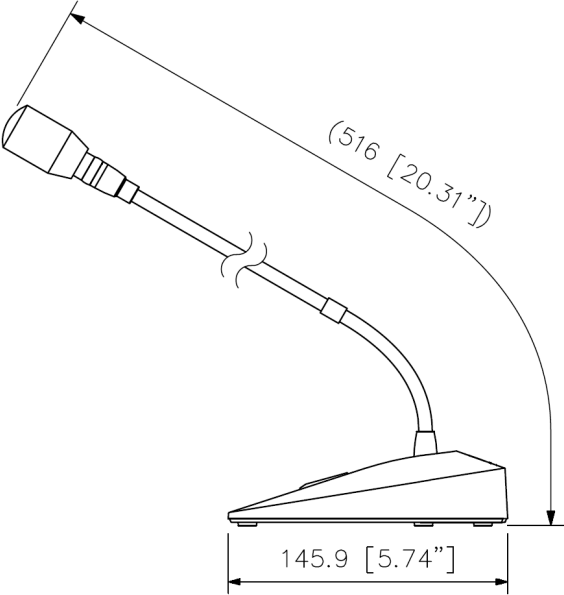
Dimensions



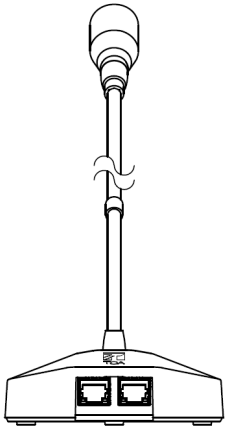
Top View



Front View



Side View



Rear View

UNIT:mm

Note: Numerical values in parentheses are for reference only.

A&E specifications

The microphone unit shall have a compact design with speech functionality. The stem microphone, integrated with the unit, shall be finished with a black brass gooseneck and have two RJ45 connector terminals for CAT5e STP LAN cable connections. The microphone shall have a frequency response range of 100 Hz to 13 kHz. The microphone shall also feature a ring-type LED at the head, which will illuminate when the microphone is in use.

The microphone unit shall be powered by the master control unit (TS-D1100-MU), the sub control unit (TS-D1000-SU) or the extension unit (TS-D1000-EX). The unit shall be constructed from ABS resin with a black finish, and the total weight shall be 330 g (0.73 lbs). The dimensions of the unit shall be 114 mm (W) × 516 mm (H) × 145.9 mm (D) (4.49" × 20.31" × 5.74").

Manufacturer: TOA Corporation

Model: TS-D1100-MC