



## Product Description

The VS 215HL has been engineered to complement the VQ range of loudspeakers and will also supplement any audio system requiring extremely high output levels.

This unique hybrid design blends the performance of a bent horn, providing high levels of tight and punchy bass, with the added benefit of utilizing the volume behind the horn in conjunction with slotted reflex ports to add significant depth, scale and presence not normally associated with horn loaded designs.

This no compromise subwoofer is appropriate for the most demanding of professional applications; ideal for large scale high energy clubs, large corporate AV systems, stadiums, live concert halls, theatres, movie theatres and cinemas, large houses of worship, and open-air venues.

The extremely efficient horn design allows it to be used on its own or in multiple configurations. The horns of multiple enclosures will couple acoustically, and when mirror imaged create a single, larger horn that increases output and provides additional directivity to very low frequencies.

With easy rigging and portability in mind the VS 215HL is equipped with 14 x unobtrusive recessed carrying handles whilst 16 x 10mm flying inserts provide a secure flying system. The cabinet is also fitted with 4 x pullback points; and 4 x rubber feet are provided to facilitate ground stacking.

The VS 215HL consists of twin 380mm (15.00"), high efficiency drive units producing 109dB/W, with a 100mm (4.00") voice coil and triple aluminium demodulating rings for ultra low distortion. The twin drivers are mounted in an immensely robust cabinet, available in either black or white, which is constructed from 18mm (5/8") multi-ply birch hardwood. This heavy-duty construction ensures it is able to survive the punishment that speaker systems are subjected to on the road and in club installations.

## Features

- 2 x 380mm (15.00") bass units with 4" sandwich voice coil
- Triple aluminium demodulating rings for Ultra low distortion
- Double treated cone for water protection
- Deep, powerful bass performance
- High power handling
- High efficiency
- Rugged birch plywood construction
- 14 x integral carrying handles
- Integral flying points

## Applications

- Live sound reinforcement
- Large houses of worship
- Large Corporate AV systems
- High Impact Nightclub sub-bass
- Stadiums and other sports facilities
- Live concert halls
- Theatre front of house and effects
- Movie theatres and cinemas
- Open Air Venues



# VS 215HL

# TANNOY®

## TECHNICAL SPECIFICATIONS

### System

<b>System Type</b>	Subwoofer - Horn loaded	
<b>Frequency Response (-3dB) <sup>(1)</sup></b>	48Hz - 350Hz	
<b>Frequency Range (-10dB) <sup>(1)</sup></b>	40Hz - 450Hz	
<b>System Sensitivity (1W @1m) <sup>(2)</sup></b>	109dB (1W = 2V for 4 Ohms)	
<b>Power Handling</b>		
Average	2000W	
Programme	4000W	
Peak	8000W	
<b>Recommended Amplifier Power</b>	2 x 1200 - 2000 Watt / 8 Ohms, or 2400 - 4000 Watt / 4 Ohms	
<b>Rated Maximum SPL <sup>(2)</sup></b>		
Average	142dB	
Peak	148dB	
<b>Nominal Impedance</b>	2 x 8 Ohms	
<b>Driver Complement</b>	2 x 380mm (15") Bass drivers	
<b>Recommended Crossover</b>	90Hz - 250Hz, 24dB/octave Recommended High-pass filter 35Hz, 24dB/octave	

### Distortion

<b>10% Full Power (28.3V)</b>	2nd Harmonic	3rd Harmonic
50Hz	1.15%	2.72%
100Hz	2.03%	3.30%
<b>1% Full Power (8.94)</b>	2nd Harmonic	3rd Harmonic
50Hz	0.30%	3.12%
100Hz	0.88%	1.92%

### Notes:

- (1) Average over stated bandwidth. Measured at 1 metre on axis.
- (2) Unweighted pink noise input, measured at 1 metre in half space

A full range of measurements, performance data, and Ease™ Data can be downloaded from [www.tannoy.com](http://www.tannoy.com)

Tannoy operates a policy of continuous research and development. The introduction of new materials or manufacturing methods will always equal or exceed the published specifications, which Tannoy reserves the right to alter without prior notification

### Construction

<b>Enclosure</b>	500 litres, 18mm (5/8") birch plywood, internally braced.
<b>Finish</b>	Textured black or white paint (custom colours on request).
<b>Connectors</b>	2 x Speakon NL4MPR IN/OUT and Barrier strip terminals
<b>Fittings</b>	14 x Recessed carrying handles 16 x M10 flying inserts. 4 x Pullback points 4 x Rubber feet
<b>Dimensions (H x W x D)</b>	700mm x 1050mm x 850mm (27.56" x 41.34" x 33.46")
<b>NET Weight</b>	107kg (235.7 lbs)

### Ordering Information

PART NUMBER	MODEL NAME	COLOUR	PACKED QUANTITY
8001 5320	VS 215HL	BLACK	1
8001 5321	VS 215HL	WHITE	1

Tannoy United Kingdom  
Tannoy Deutschland  
Tannoy Middle East  
TC|Group International  
TC|Group Americas

T: 00 44 (0) 1236 420199  
T: 00 49 (180) 1111 881  
T: 00 971 (04) 4401208  
T: 00 45 8742 7000  
T: 00 1 (519) 745 1158

E: [enquiries@tannoy.com](mailto:enquiries@tannoy.com)  
E: [enquiries@tannoy.com](mailto:enquiries@tannoy.com)  
E: [enquiries@tannoy.com](mailto:enquiries@tannoy.com)  
E: [info@tcgroup-international.com](mailto:info@tcgroup-international.com)  
E: [info@tcgroup-americas.com](mailto:info@tcgroup-americas.com)

[tannoy.com](http://tannoy.com)

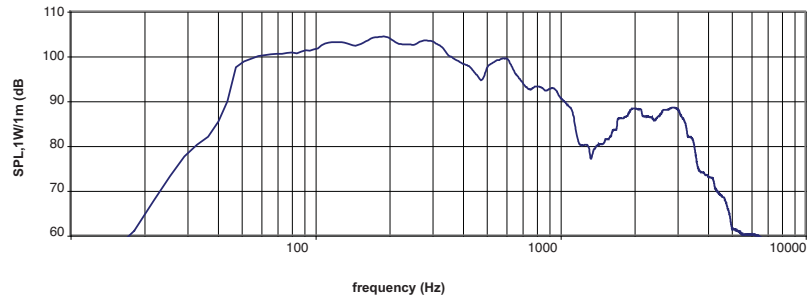


# VS 215HL

# TANNOY®

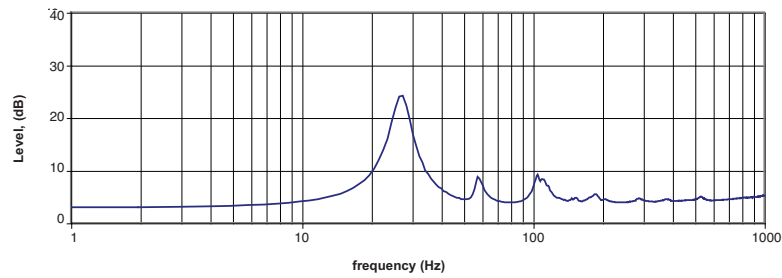
## PERFORMANCE MEASUREMENTS

1m on-axis frequency response



ANECHOIC  
FREQUENCY  
RESPONSE

Impedance vs frequency



IMPEDANCE

Tannoy United Kingdom  
 Tannoy Deutschland  
 Tannoy Middle East  
 TC|Group International  
 TC|Group Americas

T: 00 44 (0) 1236 420199  
 T: 00 49 (180) 1111 881  
 T: 00 971 (04) 4401208  
 T: 00 45 8742 7000  
 T: 00 1 (519) 745 1158

E: enquiries@tannoy.com  
 E: enquiries@tannoy.com  
 E: enquiries@tannoy.com  
 E: info@tcgroup-international.com  
 E: info@tcgroup-americas.com

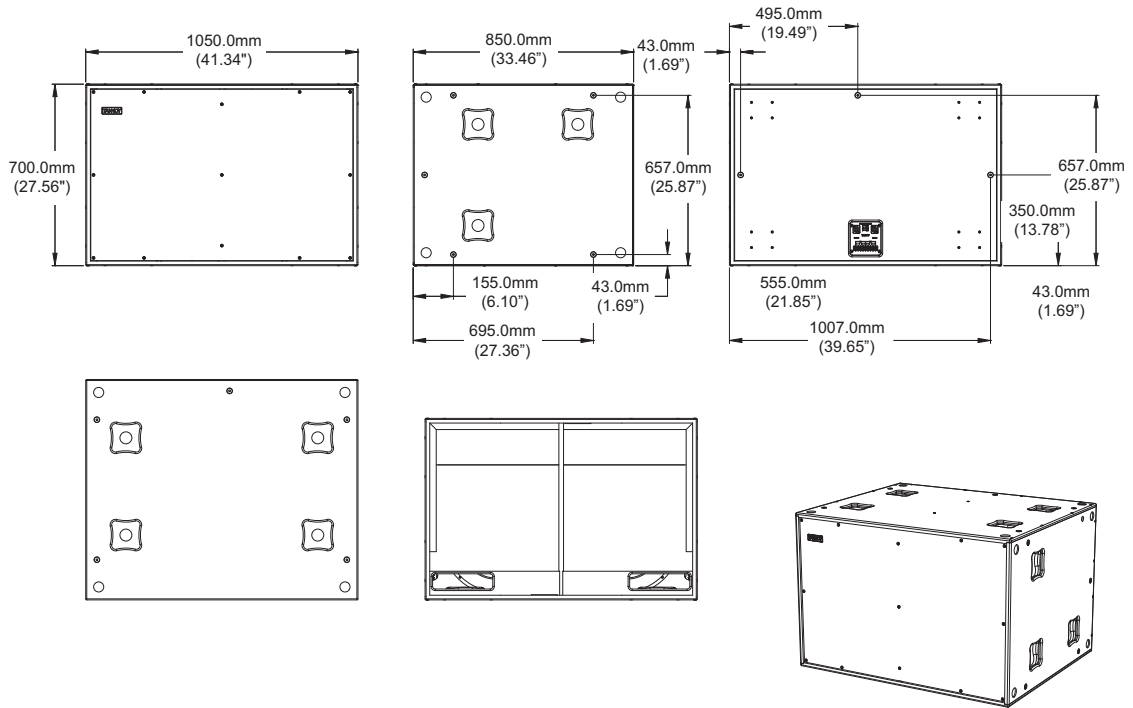
tannoy.com



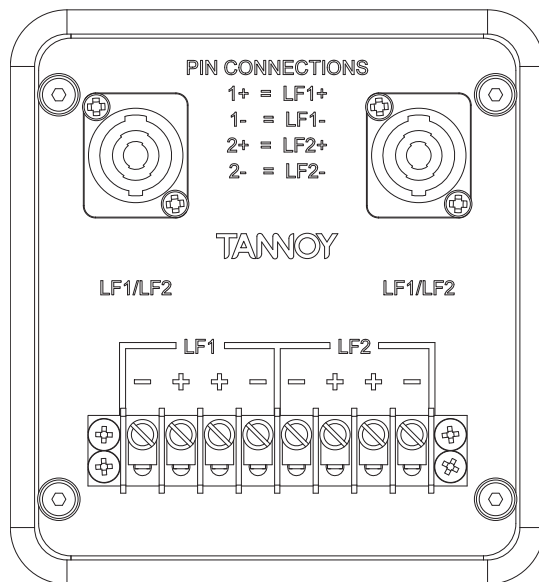
# VS 215HL

# TANNOY®

## DIMENSIONAL SKETCHES



## INPUT PANEL



Tannoy United Kingdom  
Tannoy Deutschland  
Tannoy Middle East  
TC|Group International  
TC|Group Americas

T: 00 44 (0) 1236 420199  
T: 00 49 (180) 1111 881  
T: 00 971 (04) 4401208  
T: 00 45 8742 7000  
T: 00 1 (519) 745 1158

E: enquiries@tannoy.com  
E: enquiries@tannoy.com  
E: enquiries@tannoy.com  
E: info@tcgroup-international.com  
E: info@tcgroup-americas.com

tannoy.com



# VS 215HL

TANNOY®

## Architectural specifications

The bass loudspeaker shall consist of two 380mm (15.00") low frequency transducer mounted within a horn loaded enclosure.

Performance of the loudspeaker, without any electronic control shall meet or exceed the following criteria: Frequency response measured at 1 metre on axis with swept sine wave shall be 48 Hz – 350Hz (-3dB). Sensitivity shall be at least 109dB (half space) for 2.0 Volts @ 1 metre and shall be capable of producing a peak output level of 148dB (half space) on axis at 1 metre.

The system shall have a nominal impedance of 4 Ohms (2 x 8 Ohms) and maximum power handling shall be 4000 Watts (programme). The enclosure shall be a horn loaded/vented enclosure of birch plywood construction finished in a wear resistant textured black paint.

Input connectors shall be two Neutrik™ NL4MPR Speakons, and barrier strip. The enclosure shall be fitted with 14 x integral carrying handles, 4 x pull back points and 16 x M10 flying inserts. The front of the loudspeaker shall be protected with a perforated steel grille, reticulated foam on the inside of the grill & weatherized driver cones

The enclosure shall not exceed the following dimensions: 700 x 1050 x 850mm or 27.56 "x 41.34" x 33.46" (H x W x D)

The bass loudspeaker shall be the Tannoy... VS 215HL

Tannoy United Kingdom  
Tannoy Deutschland  
Tannoy Middle East  
TC|Group International  
TC|Group Americas

T: 00 44 (0) 1236 420199  
T: 00 49 (180) 1111 881  
T: 00 971 (04) 4401208  
T: 00 45 8742 7000  
T: 00 1 (519) 745 1158

E: enquiries@tannoy.com  
E: enquiries@tannoy.com  
E: enquiries@tannoy.com  
E: info@tcgroup-international.com  
E: info@tcgroup-americas.com

tannoy®.com





