



## Product Description

This versatile, no compromise, all-purpose subwoofer is designed for the most demanding professional applications. The VS 218DR offers exceptional output, high reliability and outstanding sonic performance providing low and VLF reproduction to complement any high SPL full range loudspeakers.

Extending the frequency response of the system to below 30Hz makes the VS 218DR ideal for low frequency effects in high energy clubs, large corporate AV systems, stadiums, live concert halls, theatres, movie theatres and cinemas, large houses of worship and open-air venues. This loudspeaker is capable of delivering deep and powerful bass at high sound pressure levels with extremely low distortion and power compression, while all the time maintaining a uniform frequency response throughout its dynamic range. The large port areas ensure minimal turbulence even at high output levels.

With easy rigging and portability in mind the VS 218DR is equipped with 16 unobtrusive recessed carrying handles whilst 16 x 10mm flying inserts provide a secure flying system. The cabinet is also fitted with 4 pullback points; and 4 rubber feet are provided to facilitate stacking.

The VS 218DR consists of twin 458mm (18.00"), high efficiency drive units producing 106dB/W, with a 100mm (4.00") voice coil. The twin drivers are mounted in an immensely robust 500 litre cabinet constructed from 18mm (5/8") multi-ply birch hardwood and is available in a textured black or white finish as standard. The heavy-duty construction ensures it is able to survive the punishment that speaker systems are subjected to on the road and in club installations.

## Features

- 2 x 458mm (18.00") bass units with 4" sandwich voice coil
- Triple aluminium demodulating rings for Ultra low distortion
- Double treated cone for water protection
- Deep, powerful bass performance
- High power handling
- High efficiency
- Rugged birch plywood construction
- 16 x integral carrying handles
- Integral flying points

## Applications

- Live sound reinforcement
- Large houses of worship
- Large Corporate AV systems
- Nightclub sub-bass
- Stadiums and other sports facilities
- Live concert halls
- Theatre front of house and effects
- Movie theatres and cinemas
- Side fill in large-scale music reinforcement
- Theme parks and leisure venues
- Open air venues

Tannoy United Kingdom  
Tannoy Deutschland  
Tannoy France  
TC | Group Americas

T: 00 44 (0) 1236 420199  
T: 00 49 (180) 1111 881  
T: 00 33 (0)1 7036 7473  
T: 00 1 (519) 745 1158

E: enquiries@tannoy.com  
E: enquiries@tannoy.com  
E: ventes@tannoy.com  
E: info@tcgroup-americas.com

tannoy®.com



# VS218 DR

# TANNOY®

## TECHNICAL SPECIFICATIONS

### System

<b>Frequency Response (-3dB) <sup>(1)</sup></b>	31Hz - 600Hz
<b>Frequency Response (-10dB) <sup>(1)</sup></b>	24Hz - 1.5kHz
<b>System Sensitivity (1W @1m) <sup>(2)</sup></b>	106dB (1W = 2V for 4 Ohms)

### Power Handling

Average	2000W
Programme	4000W
Peak	8000W

**Recommended Amplifier Power** 2 x 1200W - 2000W / 8 Ohms, or 2400W - 4000W / 4 Ohms

### Rated Maximum SPL <sup>(2)</sup>

Average	139dB
Peak	145dB

**Nominal Impedance** 2 x 8 Ohms

**Driver Complement** 2 x 458mm (18") Bass drivers

**Recommended Crossover** 70Hz - 300Hz, 24dB/octave  
Recommended High-pass filter 25Hz, 24dB/octave

### Distortion

<b>10% Full Power (21.9V)</b>	2nd Harmonic	3rd Harmonic
40Hz	1.22%	1.34%
100Hz	3.48%	1.98%
<b>1% Full Power (7.0V)</b>	2nd Harmonic	3rd Harmonic
40Hz	0.41%	0.41%
100Hz	0.88%	1.03%

### Notes:

- (1) Average over stated bandwidth. Measured at 1 metre on axis.
- (2) Unweighted pink noise input, measured at 1 metre in half space
- (3) Accelerated Life Test (EIA RS426-B)

A full range of measurements, performance data, and Ease™ Data can be downloaded from [www.tannoy.com](http://www.tannoy.com)

Tannoy operates a policy of continuous research and development. The introduction of new materials or manufacturing methods will always equal or exceed the published specifications, which Tannoy reserves the right to alter without prior notification.

### Construction

**Enclosure** 500 litres, 18mm (5/8") birch plywood internally braced.

**Finish** Black or white textured paint (custom colours on request)

**Connectors** 2 x Speakon NL4MPR IN/OUT and Barrier strip terminals

**Fittings** 16 x Recessed carrying handles  
16 x M10 flying inserts.  
4 x Pullback points  
4 x Rubber feet.

**Dimensions** 700mm x 1050mm x 850mm  
27.56" x 41.34" x 33.46"

**NET Weight** 105kg (231.3lbs)

### Ordering Information

PART NUMBER	MODEL NAME	COLOUR	PACKED QUANTITY
8001 5210	VS218 DR	BLACK	1

Tannoy United Kingdom  
Tannoy Deutschland  
Tannoy France  
TC | Group Americas

T: 00 44 (0) 1236 420199  
T: 00 49 (180) 1111 881  
T: 00 33 (0)1 7036 7473  
T: 00 1 (519) 745 1158

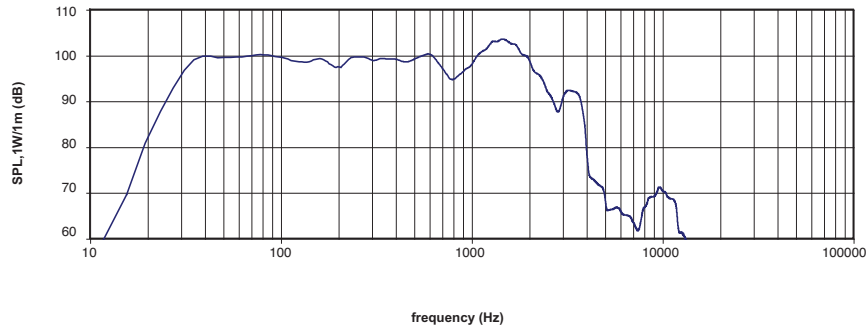
E: [enquiries@tannoy.com](mailto:enquiries@tannoy.com)  
E: [enquiries@tannoy.com](mailto:enquiries@tannoy.com)  
E: [ventes@tannoy.com](mailto:ventes@tannoy.com)  
E: [info@tcgroup-americas.com](mailto:info@tcgroup-americas.com)

[tannoy.com](http://tannoy.com)



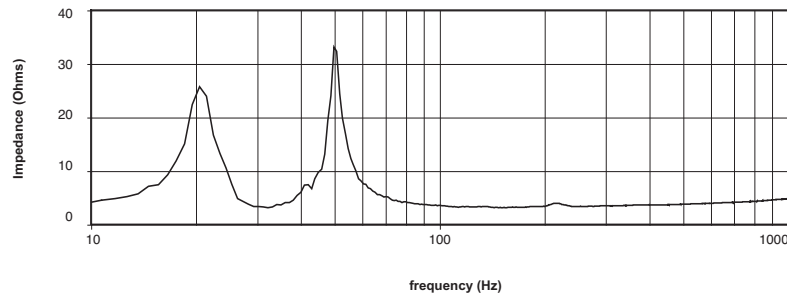
## PERFORMANCE MEASUREMENTS

Anechoic Frequency Response : 1m on-axis



ANECHOIC  
FREQUENCY  
RESPONSE

Impedance vs Frequency



IMPEDANCE

Tannoy United Kingdom  
Tannoy Deutschland  
Tannoy France  
TC | Group Americas

T: 00 44 (0) 1236 420199  
T: 00 49 (180) 1111 881  
T: 00 33 (0)1 7036 7473  
T: 00 1 (519) 745 1158

E: enquiries@tannoy.com  
E: enquiries@tannoy.com  
E: ventes@tannoy.com  
E: info@tcgroup-americas.com

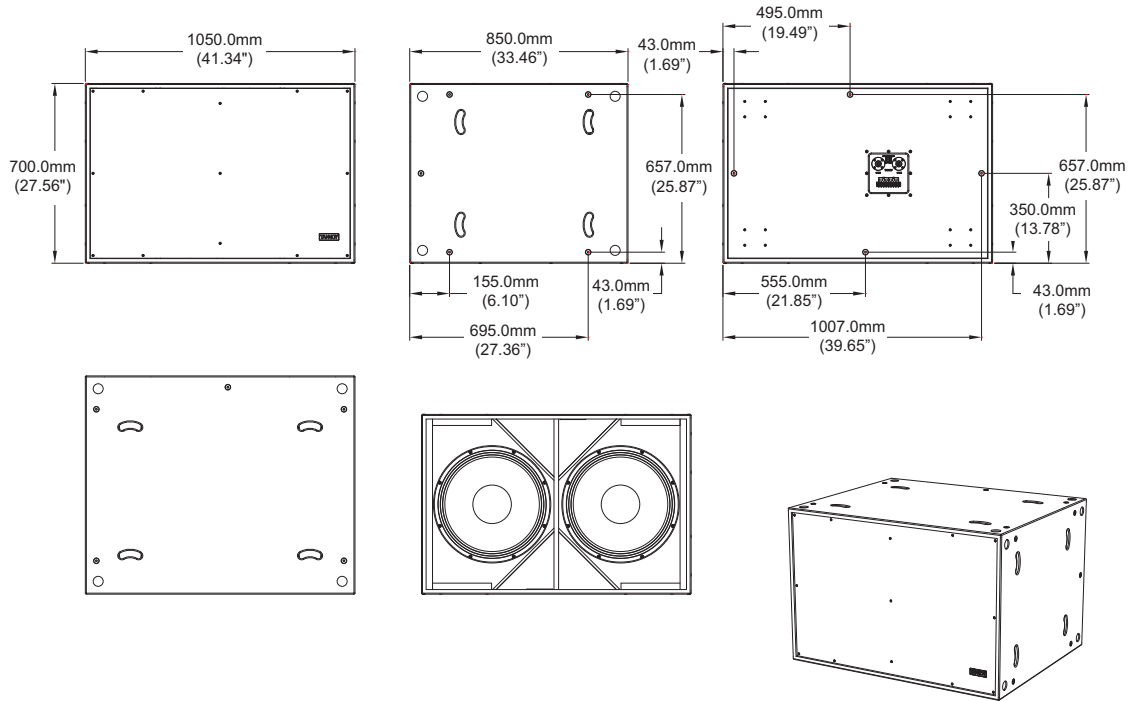
tannoy®.com



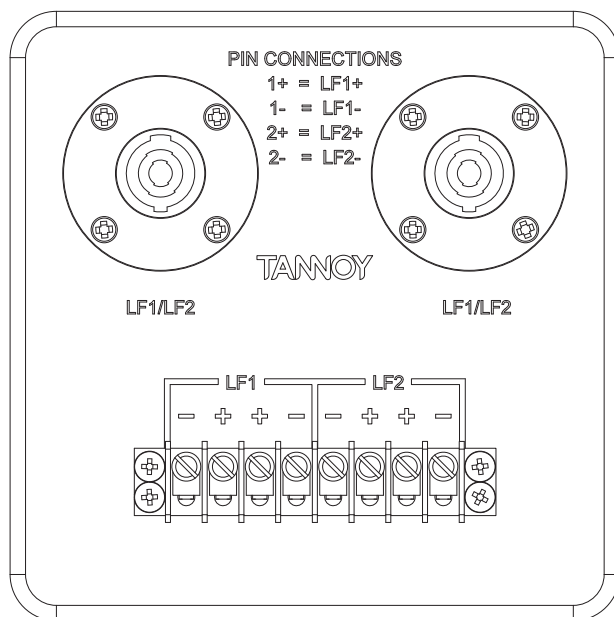
# VS218 DR

# TANNOY®

## DIMENSIONAL SKETCHES



## INPUT PANEL



Tannoy United Kingdom  
 Tannoy Deutschland  
 Tannoy France  
 TC | Group Americas

T: 00 44 (0) 1236 420199  
 T: 00 49 (180) 1111 881  
 T: 00 33 (0) 1 7036 7473  
 T: 00 1 (519) 745 1158

E: enquiries@tannoy.com  
 E: enquiries@tannoy.com  
 E: ventes@tannoy.com  
 E: info@tcgroup-americas.com

tannoy.com



## Architectural specifications

The bass loudspeaker shall consist of two 458mm (18.00") low frequency transducer mounted within a vented direct radiating enclosure. Performance of the loudspeaker, without any electronic control shall meet or exceed the following criteria: Frequency response measured at 1 metre on axis with swept sine wave shall be 31Hz – 600Hz (-3dB). Sensitivity shall be at least 106dB (half space) for 2.0 Volts @ 1 metre and shall be capable of producing a peak output level of 145dB (half space) on axis at 1 metre.

The system shall have a nominal impedance of 4 Ohms (2 x 8 Ohms) and maximum power handling shall be 4000 Watts (programme). The enclosure shall be an optimally tuned (500 litre) vented enclosure of birch plywood construction finished in a wear resistant textured black paint.

Input connectors shall be two Neutrik™ NL4MPR Speakons, and barrier strip. The enclosure shall be fitted with 16 x integral carrying handles, 4 x pull back points and 16 x M10 flying inserts. The front of the loudspeaker shall be protected with a perforated steel grille, reticulated foam on the inside of the grill & weatherized driver cones. The enclosure shall not exceed the following dimensions: 700mm x 1050mm x 850mm or 27.56" x 41.34" x 33.46" (H x W x D)

The bass loudspeaker shall be the Tannoy... VS218 DR.

