

WM-D5300 -H1

DIGITAL WIRELESS TRANSMITTER



The WM-D5300 is a digital wireless transmitter to be used with the optional microphones, exclusively for speech applications. The transmitter is specially designed to be used in conjunction with TOA's WT-D5800 digital wireless receiver.

Key features

- Ultra slim and lightweight body
- 1 AA battery provides up to 8 h of continuous use
- Selectable microphone sensitivity
- Selectable transmission output (1 mW/10 mW)
- 3-step battery life indicator

Specifications

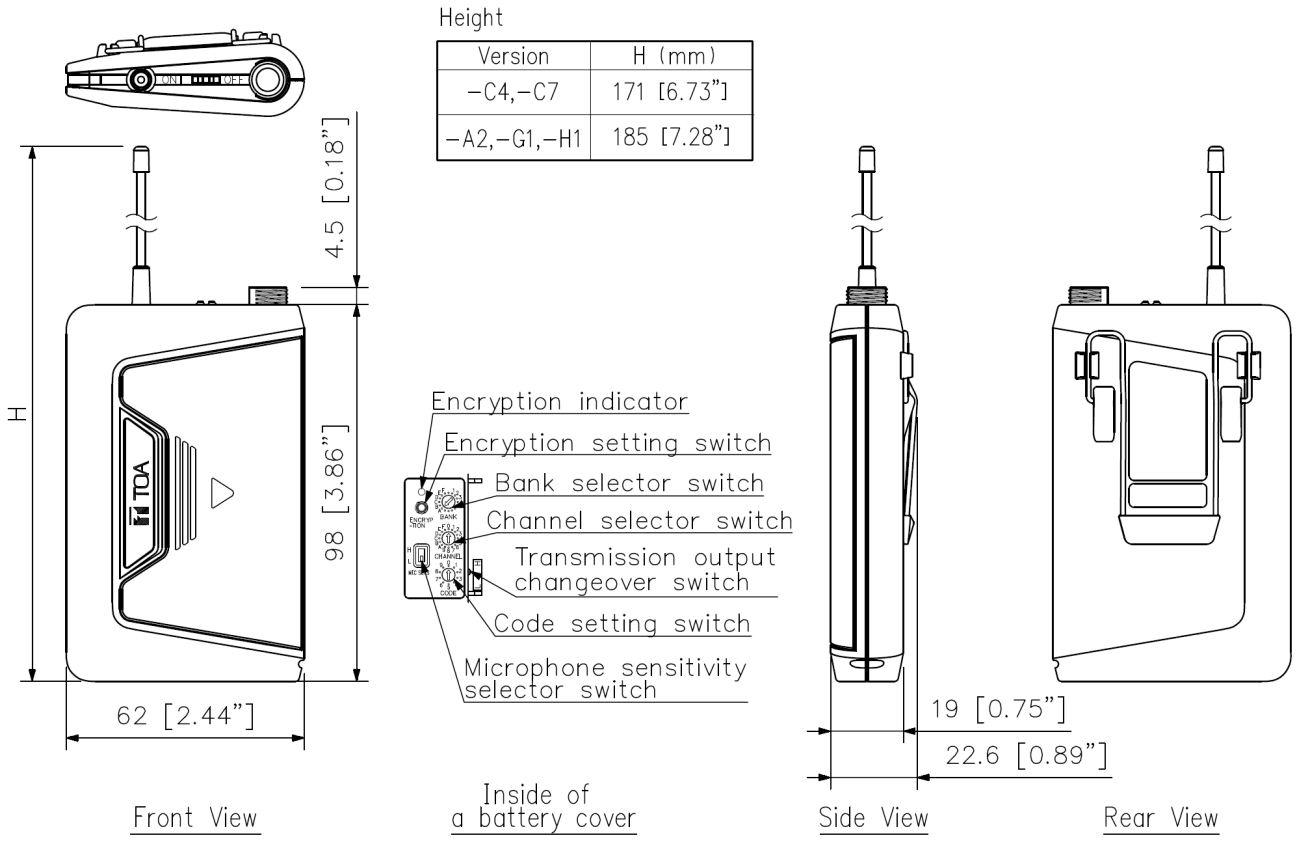
Modulation	FSK
Frequency Range	576 - 606 MHz
Channel Selection	160 channels (The number of channels may differ from country to country)
RF Carrier Power	Less than 50 mW
Maximum Input Level	-18 dB* (Sensitivity: L)/-28 dB* (Sensitivity: H)
Audio Frequency Response	100 Hz – 12 kHz
ID Selection	10 patterns
Battery	WB-2000 rechargeable battery (option) or AA Alkaline dry cell battery
Battery Life	Approx. 8 hours
Antenna	Lambda/4 whip antenna
Operating Temperature	-10 °C to +50 °C (14 °F to 122 °F) (except battery)
Operating Humidity	30 to 85 %RH (no condensation)
Finish	Body: ABS resin, black, paint
Dimensions	62 (W) × 185 (H) × 19 (D) mm (2.44" × 7.28" × 0.75")
Weight	90 g (0.2 lb) (with battery)
Included Accessories	Storage case x 1, Screw driver (for setting) x 1
Optional Accessories	Battery charger: BC-2000 or BC-2000A Ni-MH battery: WB-2000-2 (containing 2 pieces) Unidirectional lavalier microphone: YP-M5300 Omnidirectional lavalier microphone: YP-M5310 Headset microphone: WH-4000A, WH-4000H

(*1) 0 dB = 1V

Notes: The WM-D5300 cannot communicate with the TRANTEC Wireless System (S4 and S5 series).

The WM-D5300 cannot communicate with the TOA Analog Wireless System (WT-5800, WT-5805, and WT-5810 etc.)

Dimensions



A&E specifications

"The digital wireless beltpack transmitter shall operate in the UHF band between 576 MHz – 606 MHz using the digital true diversity principle to improve reception allowing up to 32 channels of simultaneous broadcast.

The transmitter is to be used with optional microphones, exclusively for speech applications. Audio bandwidth shall be between 100 Hz to 12 kHz and power transmission shall not exceed 50 milliwatts.

The transmitter shall be able to continually operate up to 8 hours on a single AA battery or a dedicated rechargeable battery. There shall be contacts at the base of the unit that will allow easy recharging of the internal rechargeable battery by using a dedicated charger. The transmitter shall have a battery status tri-colour indicator lamp that illuminates from green to orange as battery consumption progresses and then finally red. Battery status will also be transmitted to the receiver.

The transmitter shall have an ON/OFF switch that is easily accessible on the exterior of the beltpack and by simply sliding the battery cover off reveals additional functions as follows: bank selection, channel selector, microphone sensitivity selector, encryption setting switch with status indicator, code setting control that prevents interference between channels sharing the same frequency (code setting is effective when the encryption function is not set).

The finish shall be black ABS resin measuring 62 (W) x 185 (H) x 19 (D) mm (2.44" x 7.28" x 0.75") and weighing 90 g (0.2 lb.) (with battery).

Associated products: WT-D5800 digital wireless receiver. WM-D5200 digital wireless microphone manufactured by TOA Corporation

Optional extras: YP-M5300 unidirectional lavalier microphone. YP-M5310 omnidirectional lavalier microphone. WH-4000A and WH-4000H headset microphones. BC-2000 or BC-2000A battery charger. WB-2000-2 rechargeable battery (pair) manufactured by TOA Corporation.

Manufacturer: TOA Corporation

Model: WM-D5300 -H1