

YC-1001

WALL-MOUNT BRACKET



The YC-1001 is a Wall mounting bracket designated specifically for the intercom stations of the CX-1000 series IP communication system.

Key features

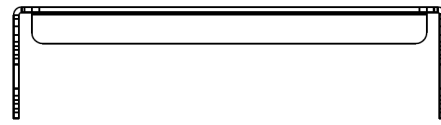
Specifications

Finish	Stainless steel
Dimensions	118 (W) x 155 (H) x 30.6 (D) mm (4.65" x 6.1" x 1.2")
Weight	190 g (0.42 lb)
Compatible Model	Video operation station: CX-OP1700 Operation station: CX-OP1500
Included Accessories	Screw for wall mounting (tapping screw) x 2

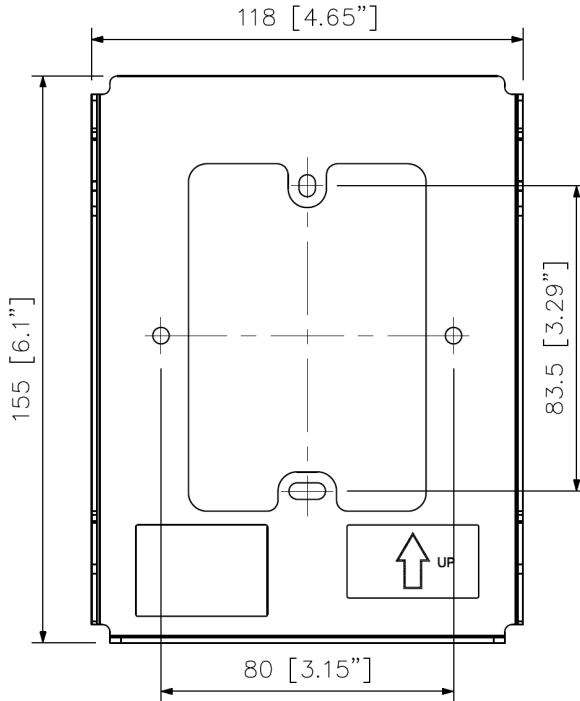
Dimensions

■ APPEARANCE

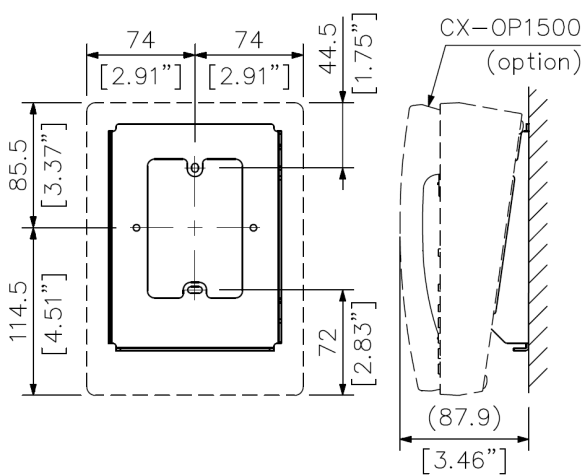
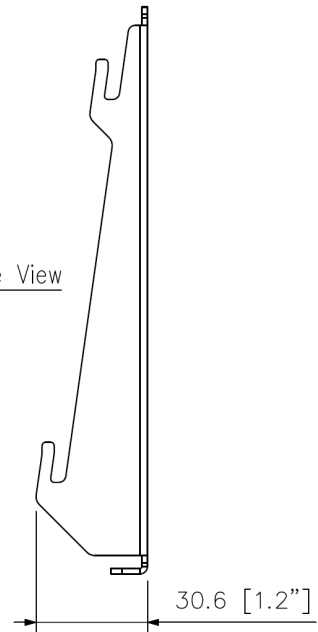
Top View



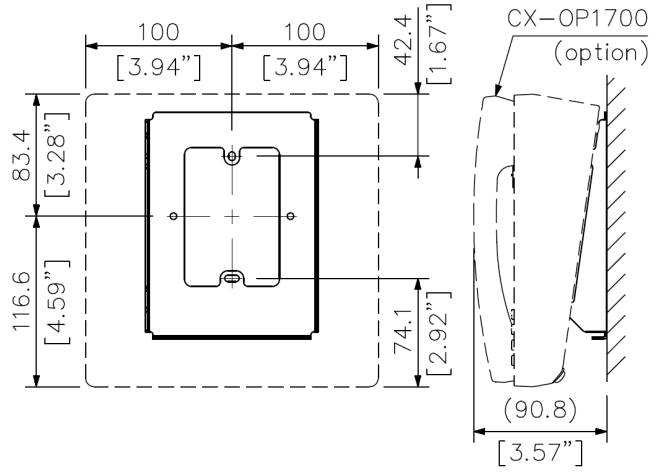
Front View



Side View



with the CX-OP1500 (option) mounted



with the CX-OP1700 (option) mounted

Installation view

UNIT: mm

Note: Numerical values in parentheses are for reference only.