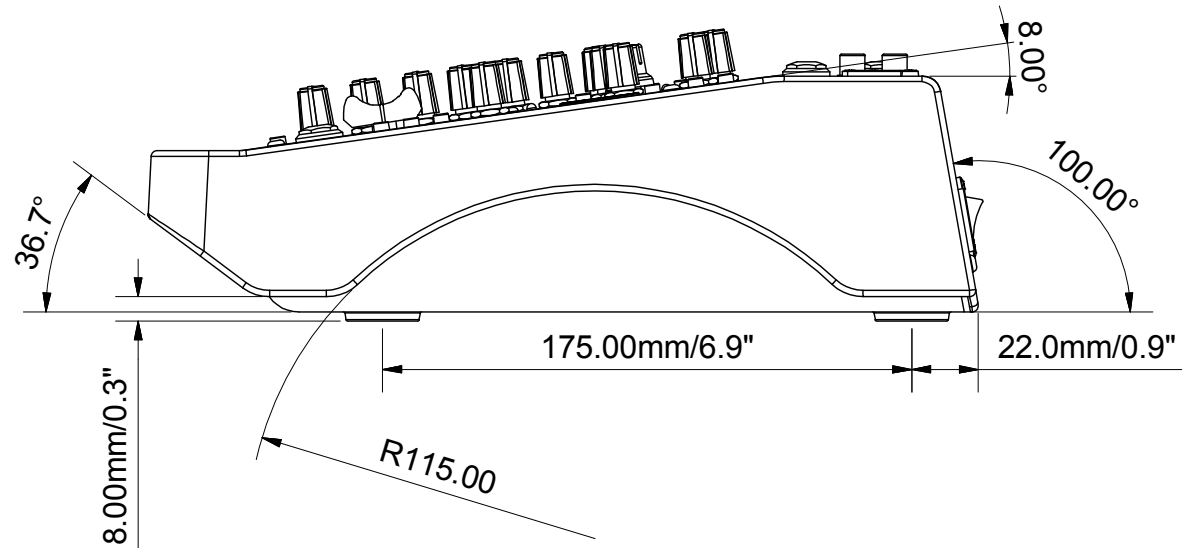
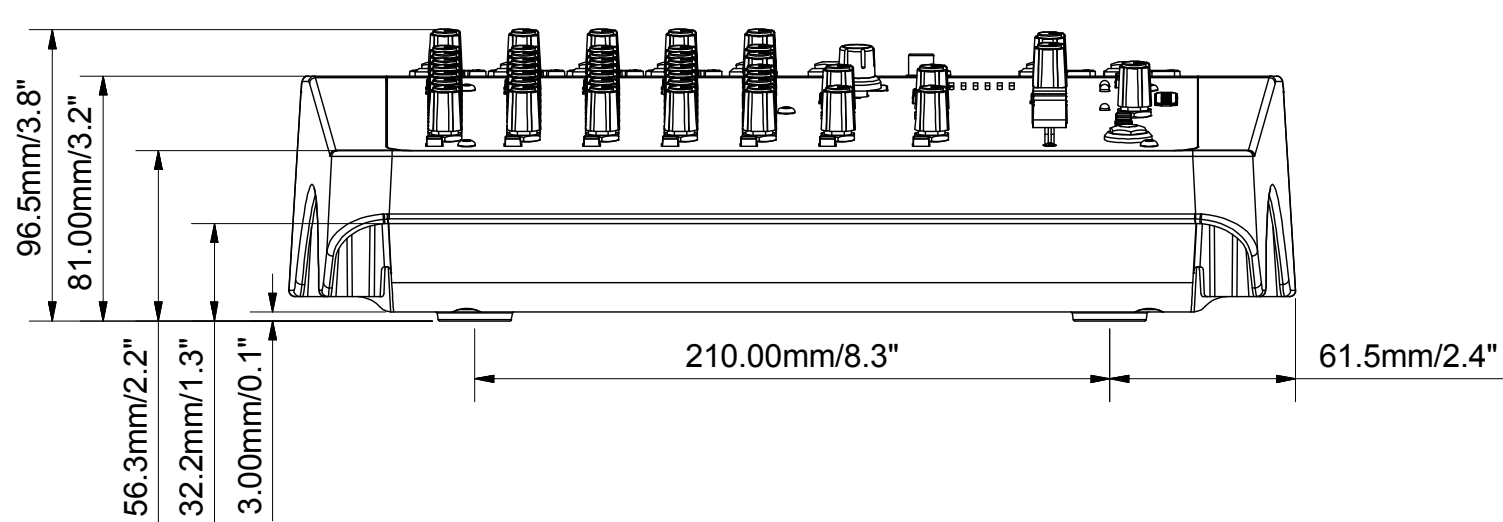


ZEDi-10FX - Without box

Width - 332.9mm/13.1"
 Depth - 274.6mm/10.8"
 Height - 96.5mm/3.8"
 Weight - 2.3kg/5.1lbs

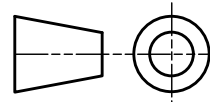
ZEDi-10FX - With box

Width - 445mm/17.5"
 Depth - 328mm/12.9"
 Height - 138mm/5.4"
 Weight - 3.1kg/6.8lbs



REVISION HISTORY				
REV	DESCRIPTION	ECN	DATE	APPROVED
A	ORIGIN		10/08/2015	ALEXMO

THIRD ANGLE PROJECTION



MATERIAL:

All materials to be compliant with The Restriction of Hazardous Substances (ROHS2) Directive 2011/65/EU

TOLERANCES U O S:
 GENERAL ± 0.25 HOLE CENTRES ± 0.10
 HOLE SIZES ± 0.05 ANGULAR DIMS ± 0.50°

FINISH:

DRAWING
 MAIN ASSY

UNIT ZEDi-10FX

PART
 No 007-171

DRAWING No
 Zedi-10FX Weights and Dims

ALLEN & HEATH Ltd.

KERNICK INDUSTRIAL ESTATE
 PENRYN CORNWALL TR10 9LU
 TELEPHONE 01326 372070
 FACSIMILE 01326 370153

SHEET 1 of 1
 ISSUE A