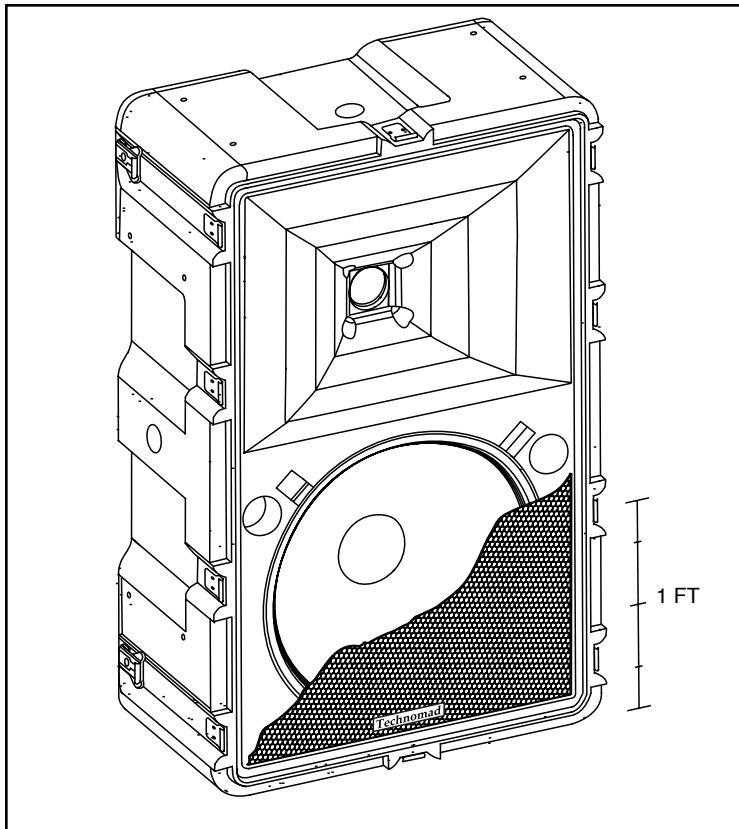


The Berlin 15/H

AS Series
Tour Model

High Power, 2-Way Full-Range, All Environment Loudspeaker System



Shown without WeatherTech™ full-face grill

The Berlin 15/H was designed for use in abusive, real-world situations, both on the road or in permanent installations. Combining super-rugged, U.S. Armed Forces road case technology with a number of acoustic innovations, the Berlin 15/H is a powerful and musically accurate loudspeaker.

The Berlin 15/H is the perfect unit for any application where compact size and high power are required. The 2" compression driver used in the Berlin provides clean, defined sound in any environment. Even though the Berlin is only 10.5" deep, Technomad's unique cabinet tuning delivers exceptional bass extension, articulation, and pitch. The Berlin is extremely EQ compliant and offers the user unrivaled control over every type of program material. Only the highest quality metalized polypropylene capacitors and heavy gauge inductors are used in Technomad networks, minimizing insertion loss and resulting in smooth response throughout the operating bandwidth. Both high and low frequency drivers are ferro-fluited for longer lifespan and better power handling.

The Berlin 15/H was designed for maximum flexibility and ease of use. It can be easily stacked or tripod-mounted with 1.5" diameter stand-mount sockets molded into the cabinet on all four sides. Large arrays of AS Series loudspeakers can be quickly and easily assembled using the Plug & Play™ stacking system. With threaded insert flypoints on all sides, a Berlin

Superb audio quality

Articulate low end response

Fully weatherproof construction

Self-casing

One-piece, 1/2" thick molded cabinet

Molded-in colors will not crack or fade

Comprehensive warranty: 10 year cabinet, 5 year hardware, 2 year electronics

Molded in 3/8-16 T-nuts allow for flying and bracket mounting

1.5" stand-mount socket on each side for horizontal and vertical deployment

MonitorTilt™ sockets on rear

Large grip handles

Three layer, chemically treated WeatherTech™ grill

Self-draining cabinet design

Twelve (12) optional cabinet colors

Mil-Spec 810E compliant

15/H can be easily and accurately be flown. Threaded inserts on the rear of the loudspeakers allow the Berlin 15/H to be bracket-mounted using Omnimount™ 300 series brackets. The Tour Model includes a lid to protect the speaker during transport and latches onto the back of the cabinet when the loudspeaker is being used, to prevent loss. The Berlin can be used as a monitor by use of the MonitorTilt accessory tubes, which fit into the rear sockets. A large handle on each end makes carrying the Berlin 15/H extremely easy. All hardware, including the grill, is black stainless steel to prevent corrosion and is recessed to prevent damage during shipment. All Technomads stack together via interlocking ribs during transit, and like-size Tour Model cabinets lock together.

The PassiveProcessor™ option further expands the Berlin's flexibility and ease of use in mobile applications. The PassiveProcessor is an internal four position EQ circuit which shifts the optimum listening distance farther away from the loudspeaker by increasing the high frequency output of the unit. This allows a PassiveProcessor equipped Berlin to be used in both nearfield and longer-throw applications without requiring any external processing.

Technomad Berlin 15/H loudspeakers are used worldwide in applications ranging from FOH systems in concert halls to high powered sound effects in theme parks.

Technomad
THE TOUGHEST LOUSPEAKERS IN THE WORLD

37 Harvard Ave, Suite 2, Brookline MA 02445 USA
email: info@technomad.com
www: http://www.technomad.com
phone: 800.464.7757 fax: 617 424 8233

Specifications

Berlin 15/H

Audio Specifications

Frequency Response	50 Hz- 20 kHz (+/- 2 dB)
	40 Hz- 18 kHz (+/- 10 dB)
Maximum Continuous Power ¹	500 watts
Maximum Peak Power ¹	1000 watts
Recommended Amplifier Power	600 watts
Sensitivity *	99.5
Maximum Output (long term) ^{1**}	126.5 dB SPL
Maximum Output (peak)	129.5 dB SPL
HF Dispersion	120° V x 120° H
Nominal Impedance	8 ohms

Physical Specifications

Height	32.9"	83.8 cm
Width	20.9"	52.8 cm
Depth w/o lid	10.7"	27 cm
Weight	90 lb.	40.8 kg
Shipping Weight	92 lb.	41.7 kg
Fittings	16 x 3/8-16 threaded inserts(4 per side)	
	4 x 3/8-16 threaded inserts on back	
Standmount Sockets	4- One per side, 1.5" dia. (standard)	
	4 on back for MonitorTilt application.	
Handles	2 Large Easy-Grip	
Cabinet	Mid-density Polyethylene	
Grill	Powder coated steel (Black standard)	

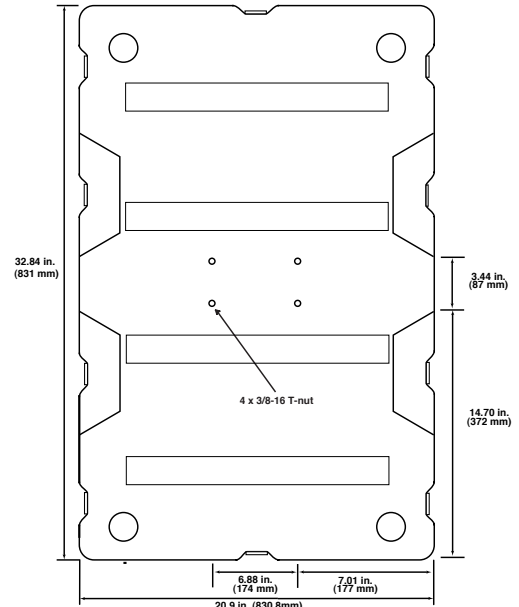
Signal Chain

HF	2" Compression Driver
LF	15" LF Driver
Connectors	2 x Neutrik™ NL4MP Speak-on,
	1 per side, recessed
Crossover	Passive Internal
70-Volt (option)	300 watt fixed tap

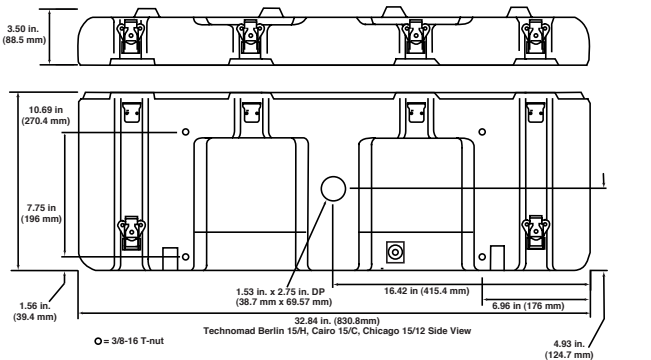
¹ Based on ALMA EIA test 426B

* RTA Total output axial 1W@1M

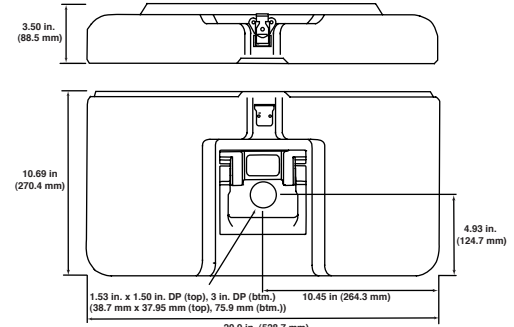
** Based on Maximum Continuous Power rating



Technomad Berlin 15/H, Cairo 15/C, Chicago 15/12 Rear View



Technomad Berlin 15/H, Cairo 15/C, Chicago 15/12 Side View



Technomad Berlin 15/H, Cairo 15/C, Chicago 15/12 End View

Architectural and Engineering Specifications

The loudspeaker system shall be of two-way type consisting of one 15" low frequency cone type transducer in a vented direct radiating enclosure and 2" compression driver.

The system shall meet the following performance criteria:
 Frequency Response: 50 Hz -20 kHz. Power Handling: 500W.
 Impedance shall be 8 ohms. High frequency dispersion shall be 120° H x 120° V. The system shall include an internal passive crossover network, providing full range operation via 2 Neutrik™ 4MP connectors.

The cabinet shall be molded from mid-density, (100% recycled if black) polyethylene. All cabinet dyes shall be non heavy metal

based. The cabinet shall meet Mil-Spec 810E and be ATA-III compliant. The cabinet shall have a 10 year warranty.

The system shall include 1.5" stand mount sockets on four sides. The system shall have two spring-loaded handles. The system shall have four 10-1 rated D-Ring flypoints. The system shall have a fully gasketed lid. All drivers shall be protected by a three-layer chemically treated grill system.

The loudspeaker system shall be the Technomad Tour Model Berlin 15/H.

Technomad
 THE TOUGHEST LOUSPEAKERS IN THE WORLD

37 Harvard Ave, Suite 2, Brookline MA 02445 USA
 email: info@technomad.com
 www: http://www.technomad.com
 phone: 800.464.7757 fax: 617 424 8233