

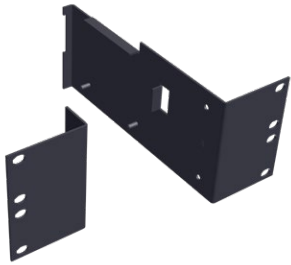
# Cambridge Qt® X Controller Accessories

## Installation Guide



Connecting people through extraordinary audiovisual experiences™

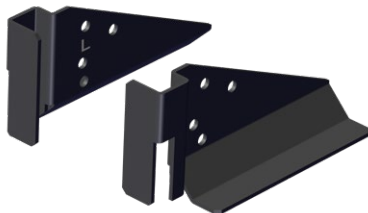
Rack Mount Kit



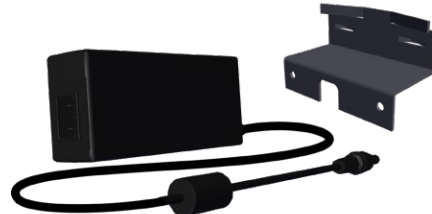
Wall Mount Kit



Plenum Mount Kit



48V Power Supply Kit



PoE+ Power Injector



## ACCESSORIES

### Qt® X Controller Accessories

**Rack Mount Kit** (Qt X RMT-KT) – allows a Qt X 300, 600 or 800 to be mounted to a rack. Includes the rack mount brackets and hardware. See instruction to change from a wall mount (Qt X 300/600) or install in a rack (Qt X 800).

**Wall Mount Kit** (Qt X WMT-KT) – allows a Qt X 800 or 805 to be mounted to a wall and includes the wall bracket and hardware. See instruction to change from a rack mount (Qt X 805) and install on a wall.

**Plenum Mount Kit** (Qt X PLMT-KT) – allows a Qt X 300/600 or 805 to be mounted in a plenum space and includes the mounting brackets. See instruction to change from a rack mount (Qt X 805) or wall mount (Qt X 300/600) and install in a plenum space on ceiling tile rails.

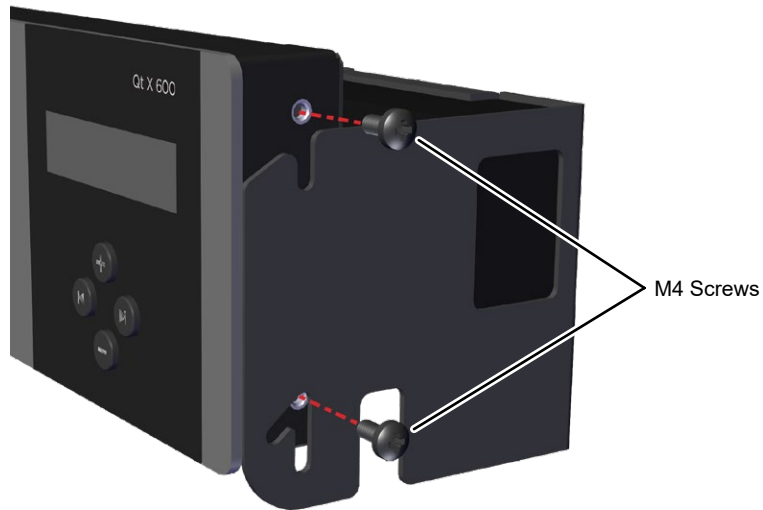
**48V Power Supply Kit** (Qt X PWR-KT-48V) – includes a 48V power supply, power cord, bracket and hardware for use with a Qt X 800/805 models.

**PoE+ Class 4 Power Injector** (POE29U-1AT(PL)D-R [91x.0004]) – plenum rated - provides power to the Qt X 800/800D.

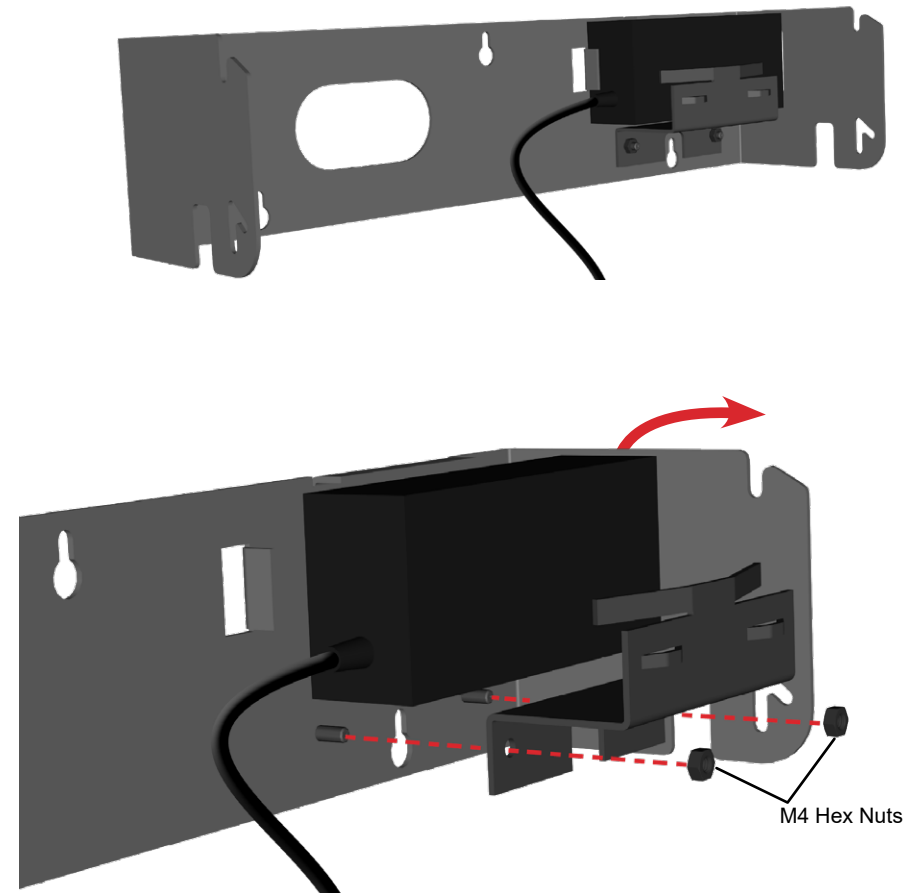
## Install Rack Mount Brackets

For Qt X 300/600 controllers start at step 1. If you are converting a Qt X 800 controller to a wall mounted unit with a 48V power supply, you will need to have both the wall mount kit and the power supply kit. Start with Step 3.

1. If necessary, remove the existing wall bracket from the controller (Figure 1) and reserve the M4 screws to attach the rack mount brackets.
2. Disconnect the power supply supporting bracket from the wall mount bracket (Figure 2).



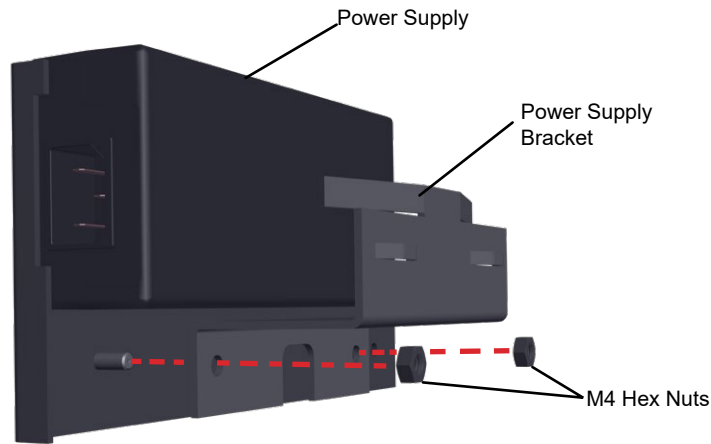
**Figure 1.** Remove screws and panel from wall mount bracket



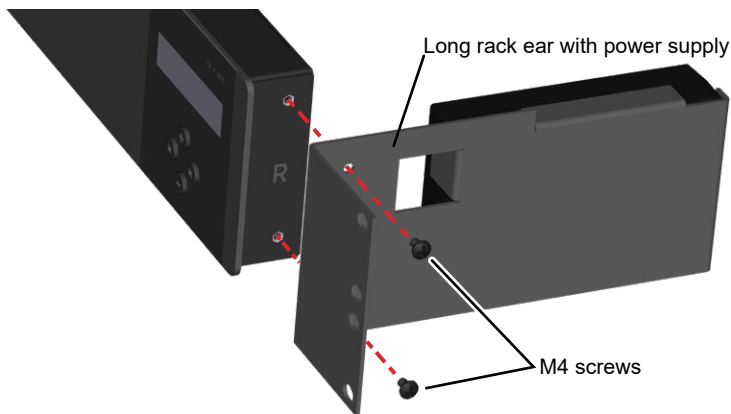
**Figure 2.** Remove bracket and power supply

## Install Rack Mount Brackets (continued)

3. Attach the power supply bracket to the longer (R) rack ear with hex nuts and insert the power supply with power cord outlet located to the back (Figure 3).
4. Attach the rack ears to the Qt X controller with the M4 screws removed in the first step. Mount the longer bracket with the power supply to the right side on the controller (Figure 4). The brackets and controller are marked with R/L. Match the bracket to the appropriate side of the controller.



**Figure 3.** Reinstall bracket and power supply on long rack ear

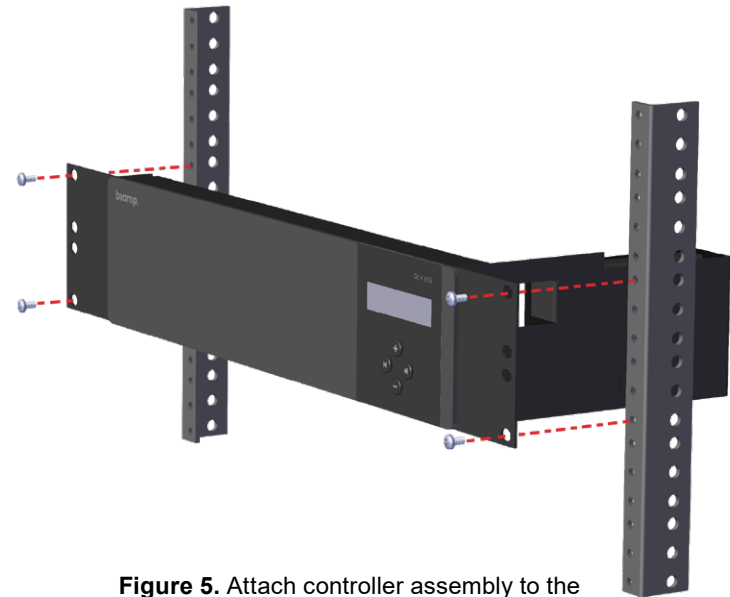


**Figure 4.** Attach rack ears to the controller

5. Secure the Qt X controller to the rack via the rack ears as shown (Figure 5). Hardware to attach the unit to the rack is not included. Plug power cord into the rear of the power supply.

**NOTE:** It may be easier to make all of the connections to the back panel **before** securing the controller to the rack. The controller will not rotate forward to allow access to the back panel when secured to the rack ears.

**TIP:** Use cable ties to constrain extra cable lengths for a neat appearance and to reduce tangles.

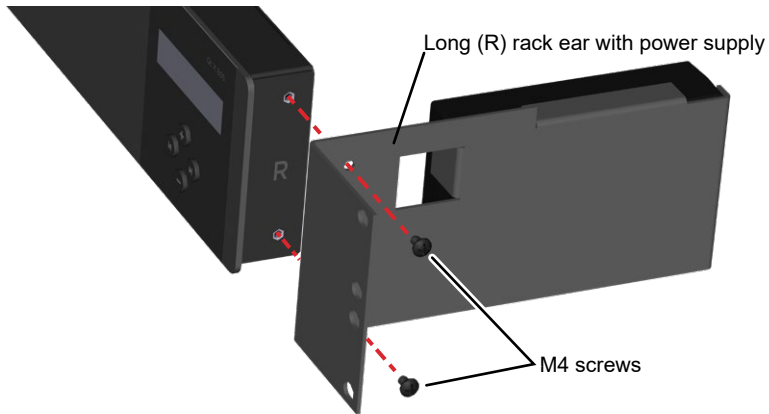


**Figure 5.** Attach controller assembly to the rack (hardware not provided)

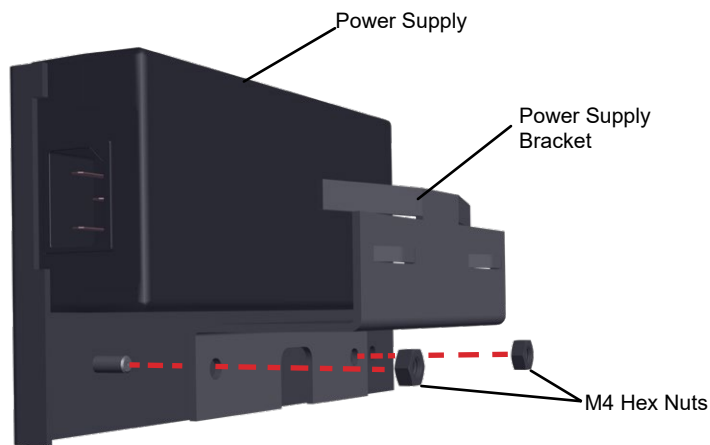
## Install Wall Mount Bracket

For Qt X 805 controllers start at step 1. If you are converting a Qt X 800 controller to a wall mounted unit with a 48V power supply, you will need to have both the wall mount kit and the power supply kit. Start with Step 3.

1. If necessary, remove the existing rack mount brackets from the controller and reserve the M4 screws to attach the wall mount bracket (Figure 6).
2. Disconnect the power supply supporting bracket from the longer (R) rack mount bracket (Figure 7). Reserve the hex nuts for reattachment to the wall bracket.

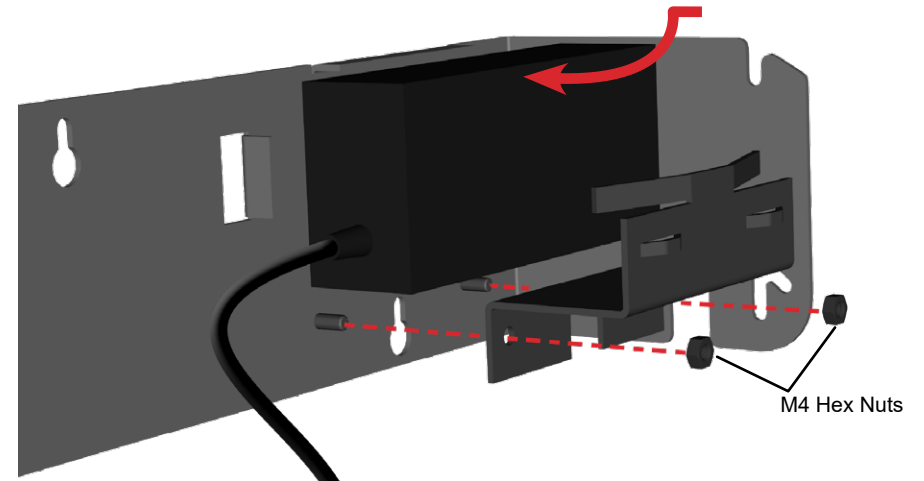


**Figure 6.** Remove rack brackets from the controller

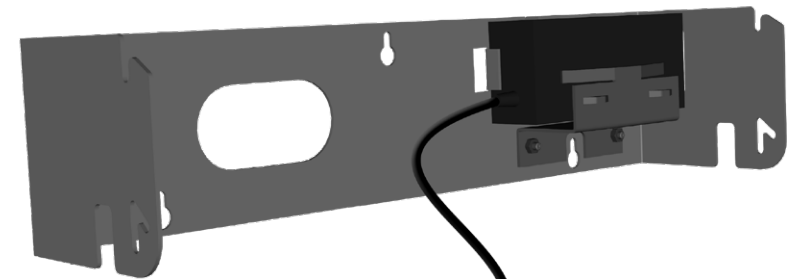


**Figure 7.** Remove bracket and power supply from long rack ear

3. Attach the power supply bracket to the wall mount bracket with hex nuts on the threaded studs loosely as shown. Insert the power supply with power cord outlet located against the side hole provided for power cord access and tighten the hardware (Figures 8a & 8b).



**Figure 8a.** Attach bracket and power supply



**Figure 8b.** Assembled bracket with power supply

## Install Wall Mount Bracket (continued)

- Place the wall bracket where it is to be mounted and mark the hole locations. If installing into drywall/sheet rock, drill the mounting holes with a 1/4" drill bit and insert plastic mounting anchors into the drywall/sheet rock.

**Important:** If using the wall mount bracket as a template to drill into the wall, do not connect it to the control unit until after the wall has been drilled. This prevents dust and debris from getting into the Qt X connectors and ports.

- Attach the controller to the wall bracket by aligning the lower holes on either side with the angled slot. Install the lower screws, but do not tighten, allowing the bracket to move. Loosely install the upper screws without capturing the upper slots in the bracket (Figure 9). The control module rotates forward for wall mounting and cable installation.

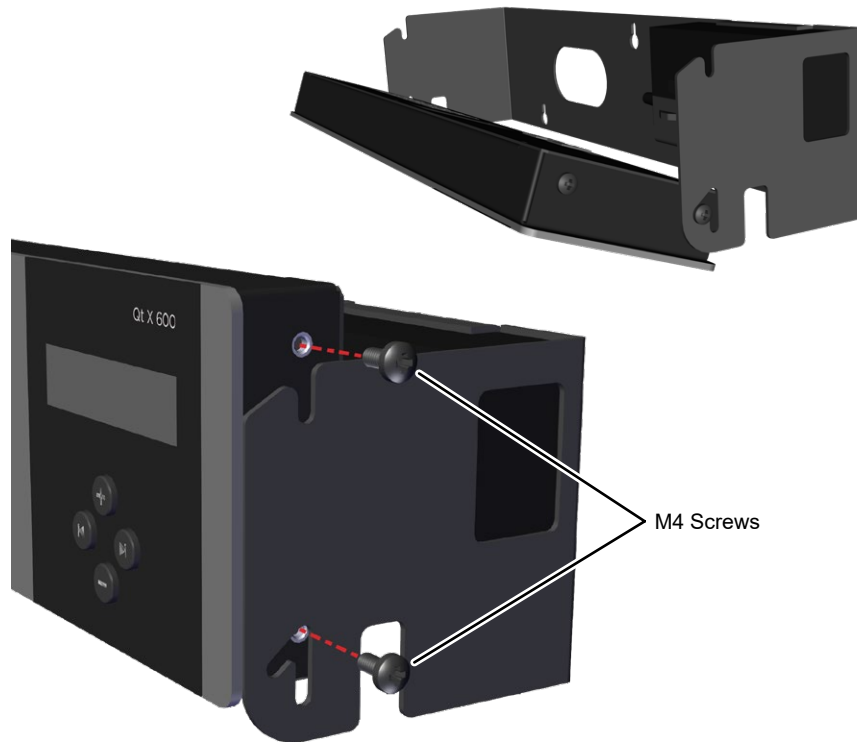


Figure 9. Mount unit to wall bracket and rotate down

- Install the screws into the plastic anchors leaving enough room for the bracket to be hung on the screw heads (Figure 10). Place the bracket so the screw heads fit into the keyholes and then move the bracket down to capture the screws. Tighten the screws to secure the bracket to the wall.

**NOTE:** Keep the controller rotated down to make it easier to tighten the mounting screws.

- Connect all wiring/cabling as described in the Qt X Installation & Operation Guide. Rotate the Qt X up and move down into the operating position to lock into place. Tighten the side screws to secure it to the bracket (Figure 11).

**TIP:** Use cable ties to constrain extra cable lengths for a neat appearance and to reduce tangles.

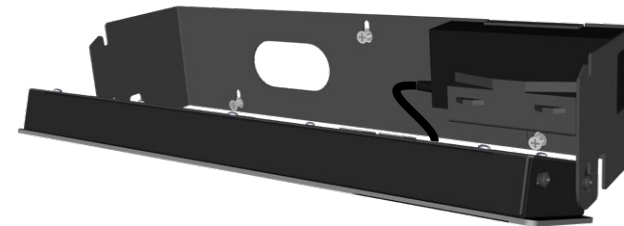


Figure 10. Mount unit / wall bracket

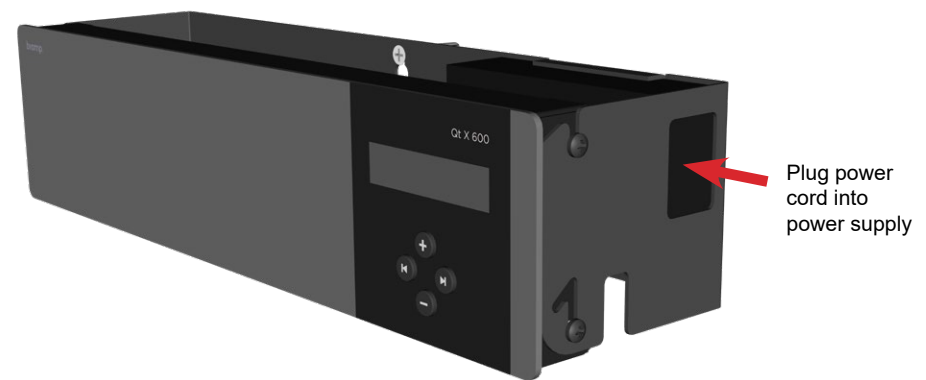


Figure 11. Controller in operating position

## Plenum Bracket Installation

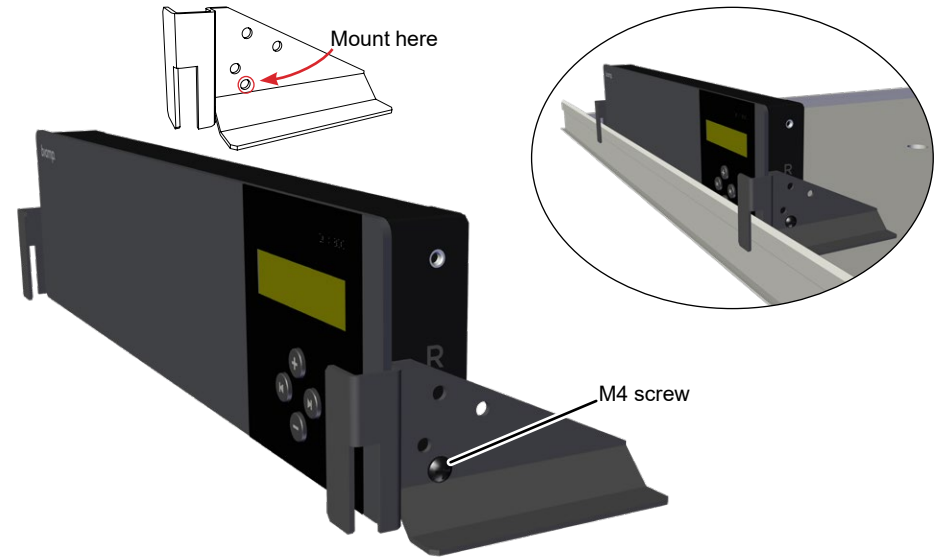
A pair of mounting brackets and M4 screws are included with the plenum bracket kit. They can be positioned as shown below in any of 3 configurations to fit over a ceiling rail (shown in the smaller inset images). Choose the orientation that best fits your application (Figures 12-14). Orient brackets as shown – right (R) and left (L).

Remove the controller from any other bracket reserving the M4 screws for plenum bracket attachment. Secure each bracket with a screw threaded in the appropriate hole as noted on the smaller bracket drawing for each configuration. Both brackets must be installed in the same configuration to adequately secure the panel. Tighten the screws so that the controller doesn't move in the brackets.

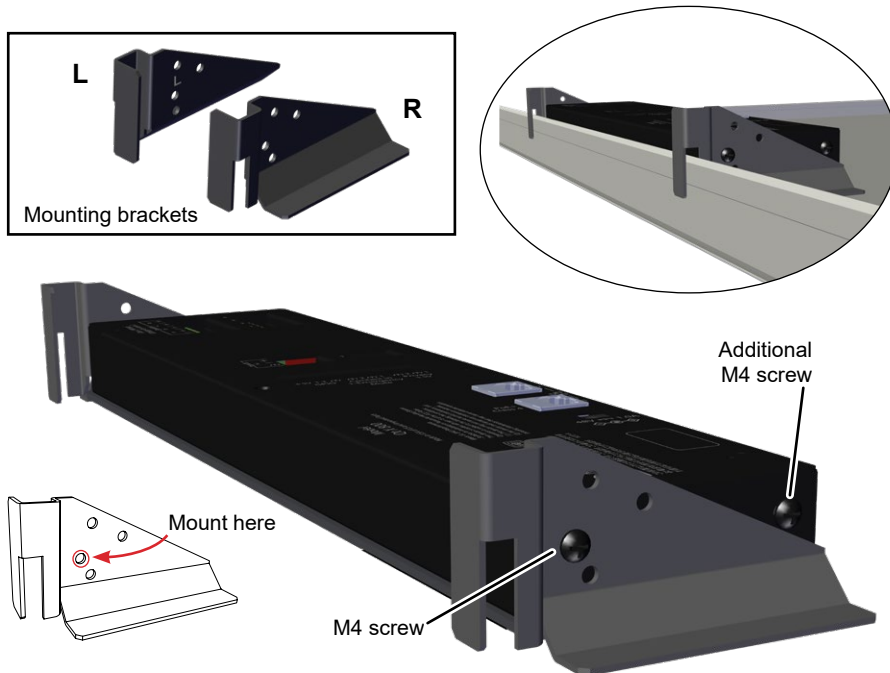
A safety cable may be threaded through any of the open holes to prevent movement and/or further secure the unit in the ceiling.

### IMPORTANT NOTES:

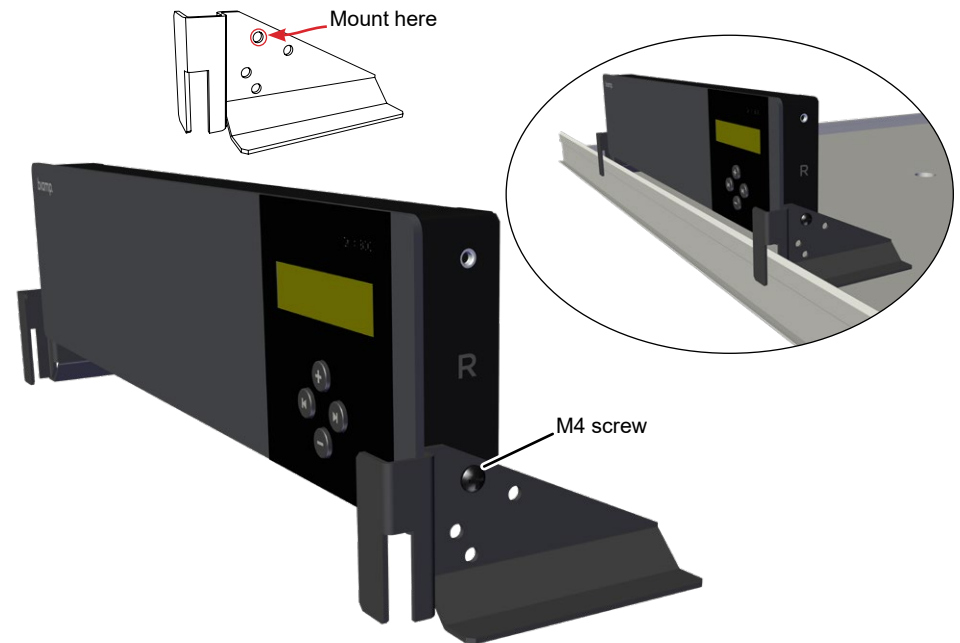
1. If the panel is installed in the face down position (below), an additional M4 screw must be installed in the lower holes on each side to prevent panel movement.
2. All wiring must be plenum rated if it is installed in a plenum space.
3. The installer is responsible for sourcing and installing the proper safety cable to meet all applicable local building codes and standards.



**Figure 13.** Base of controller is flush with the bottom of the brackets



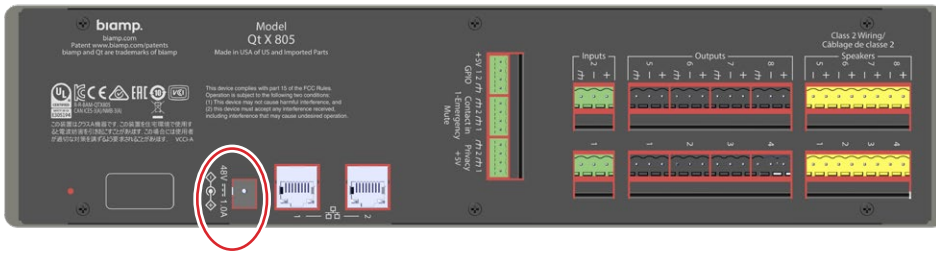
**Figure 12.** Controller is face down against the ceiling tile with an additional M4 screw on each side to prevent panel movement



**Figure 14.** Controller is raised above the rail

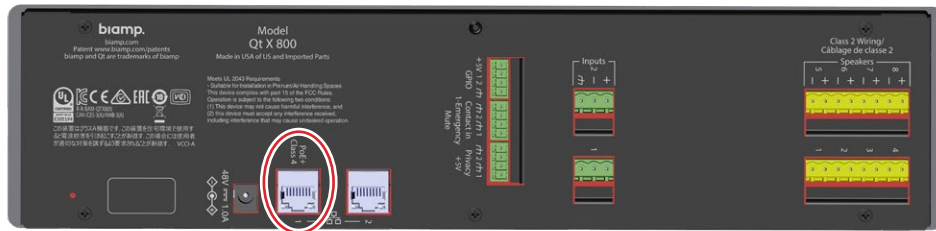
## 48V Power Supply Kit

Designed to provide power to Qt X 800/805 models. Install the power supply bracket on either the wall mount bracket or longer (R) rack mount bracket as shown earlier in these instructions. Plug the unit cord into the port in the rear of the controller (circled). Plug the power cord into the power supply. Do not power the controller until suggested in the installation instructions.



## PoE+ Class 4 Power Injector

Designed to provide power to Qt X 800/800D models. This unit can be mounted using the tabs on either end of the unit. Mounting hardware must be supplied by the installer. Connect the injector to the controller using a rated cable from the **OUT** port to the PoE+ port on the rear of the controller (circled). Do not power the controller until suggested in the installation instructions.





## CONTACT US

**Email:** [support@biamp.com](mailto:support@biamp.com)

**Web:** [support.biamp.com](http://support.biamp.com)

**Warranty:** [biamp.com/legal/warranty-information](http://biamp.com/legal/warranty-information)

**Safety & Compliance:** [biamp.com/compliance](http://biamp.com/compliance)

**Note:** Every effort has been made to ensure that the information contained in this manual was complete and accurate at the time of printing. However, due to ongoing technical advances, changes or modifications may have occurred that are not covered in this manual. The latest version is available at [www.biamp.com](http://www.biamp.com).

